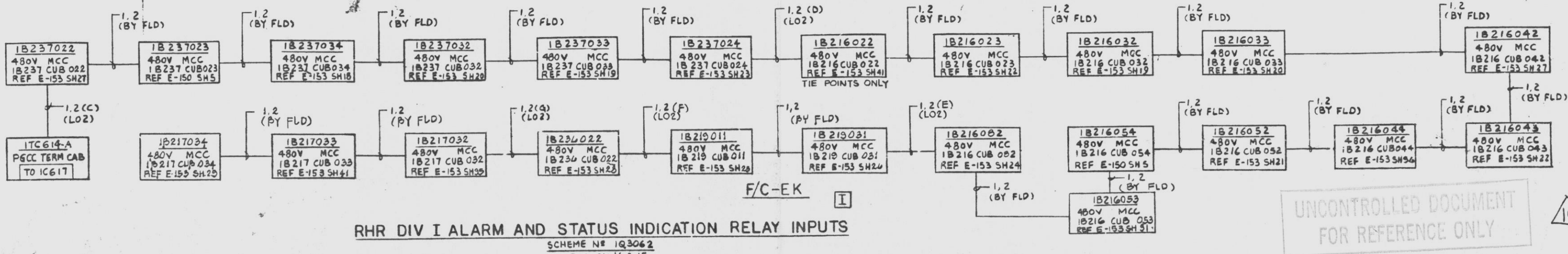
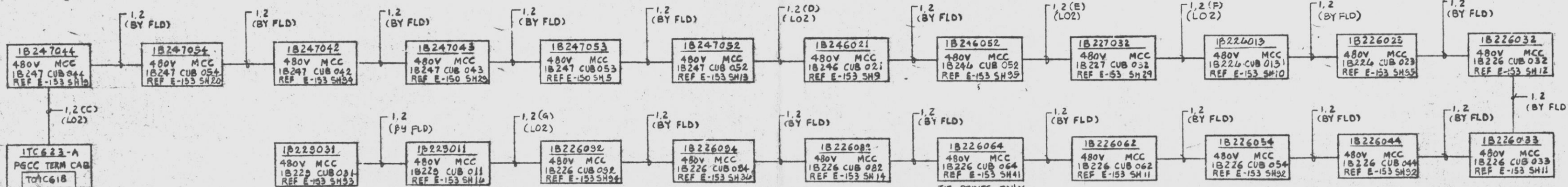


This drawing and the design it covers are the property of BECHTEL. They are hereby loaned and on the borrower's express agreement that they will not be reproduced, copied, leased, exhibited, nor used except in the limited way permitted by any written consent given by the lender to the borrower.



RHR DIV I ALARM AND STATUS INDICATION RELAY INPUTS

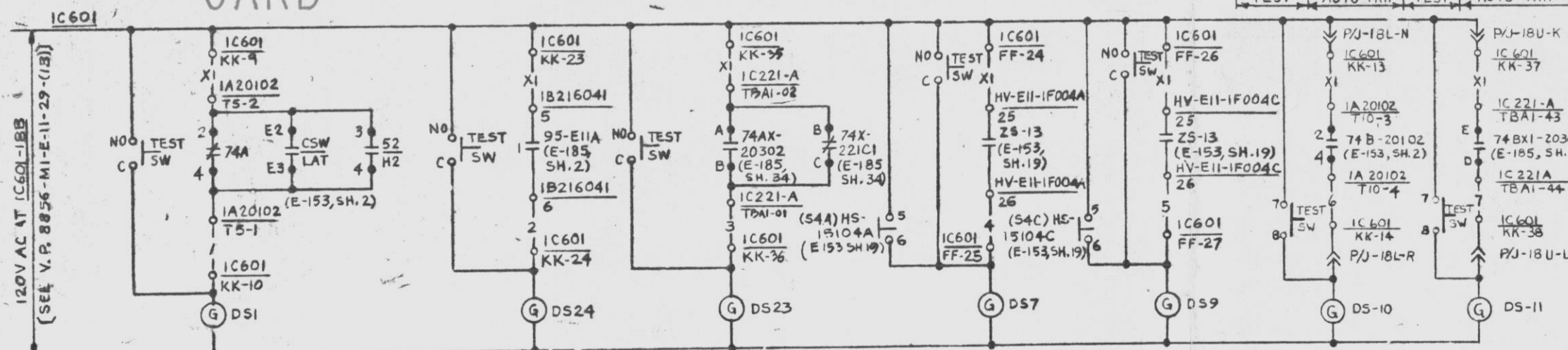
SCHEME NO IQ3062  
REF SH 14 & 15



RHR DIV II ALARM AND STATUS INDICATION RELAY INPUTS

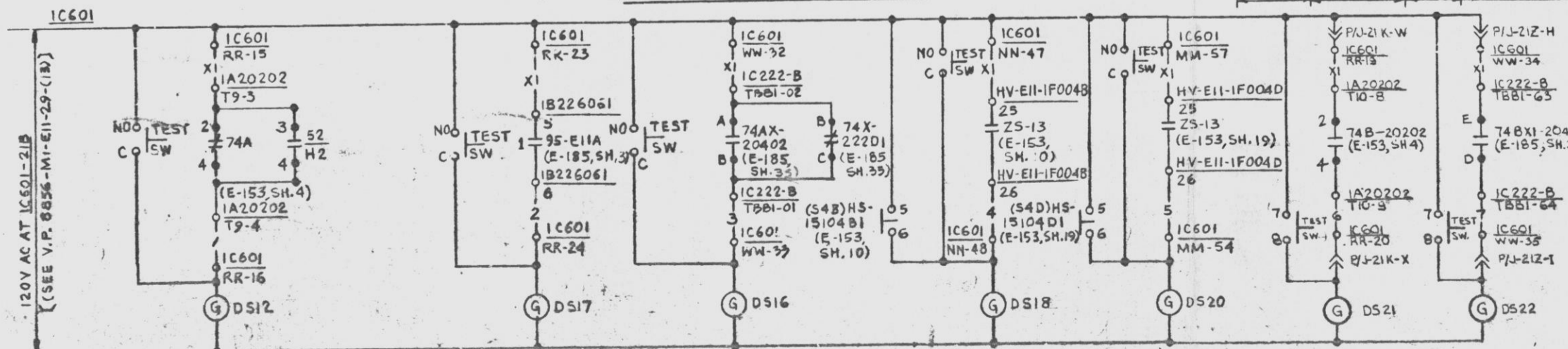
SCHEME NO IQ3063  
REF. SH. 14 & 15

PRC APERTURE CARD



RHR DIV I STATUS INDICATION

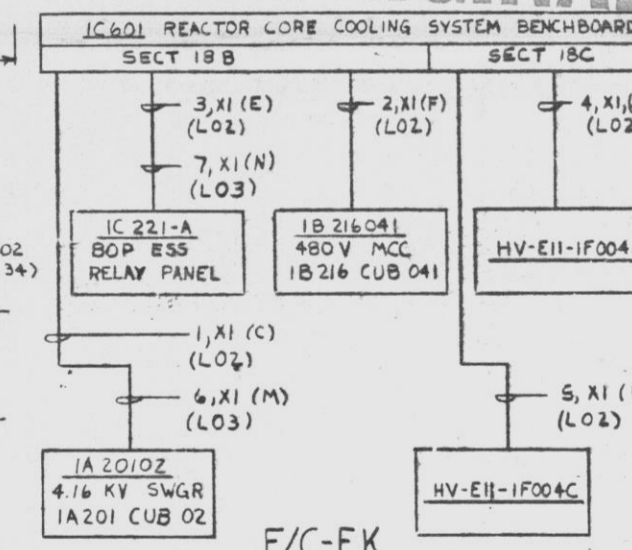
SCHEME NO IQ3064, REF. SH. 13



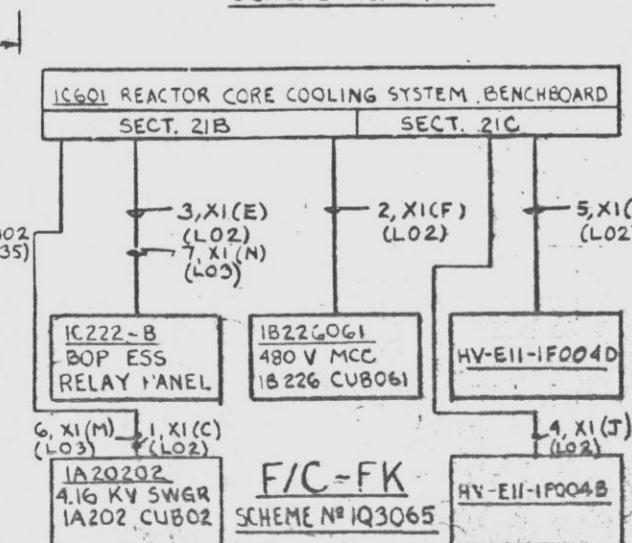
RHR DIV II STATUS INDICATION

SCHEME NO IQ3065, REF. SH. 13

POOR ORIGINAL



F/C-EK  
SCHEME NO. IQ3064



F/C-FK  
SCHEME NO IQ3065

- NOTES
- 1. FOR STANDARD SYMBOLS FOR ELECTRICAL DIAGRAMS SEE E-42.
- 2. DESIGN BASED ON GE/APED ELEMENTARY 791E418AE (V/P 8856-M1-EH-233).
- 3. FOR SCHEME IQ3062 & IQ3063, CONNECT N.C. 74 CONTACTS IN PARALLEL.
- 4. FOR 120VAC PWR SUPPLY TO PNLs IC018 & IC021, SEE DWG. E-64 SH 15.

REFERENCE DWGS.

REVISION NO.	PL. NO.
E-42	A07015
8856-M1-EH-233	PP1A330
E-105	D-10734

REVISIONS

NO.	DATE	REVISIONS	BY	CHKD	APP'D
3/4/82		REVISED TO INCORP PWR E-153			
4/1/82		ISSUED "AS BUILT" DEL'D II & INCORP'D IG(DCPWJW-201, 13/100R-KR1-8505, 12R & 15/DCP-201G-R4 WERE INCORP'D IN REV. 6.			
4/1/82		REV TO INCORP FOR E-10888			

PENNSYLVANIA POWER & LIGHT COMPANY  
ALLENTOWN, PENNSYLVANIA  
SUSQUEHANNA STEAM ELECTRIC STATION - UNIT 1, UNIT 2  
BECHTEL - SAN FRANCISCO

BLOCK DIAGRAM  
RHR ALARM & INDICATION  
UNIT I

JOB NO.	DRAWING NO.	REV.
8856	E-153 SH 34	10

D-107302 SH34

24X

I certify that the microfilm image contained on this microfilm was made in the normal and regular course of business. This is a true, full, correct and complete reproduction and replacement for and/or in lieu of original documents generated by the Bechtel group of companies.

Signal: DANNY Date: 28 Camera Type: MRG I

Doc # 80-357  
Control # 2303090234-22  
Date 3/18/83 of Document:  
REGULATORY DOCKET FILE