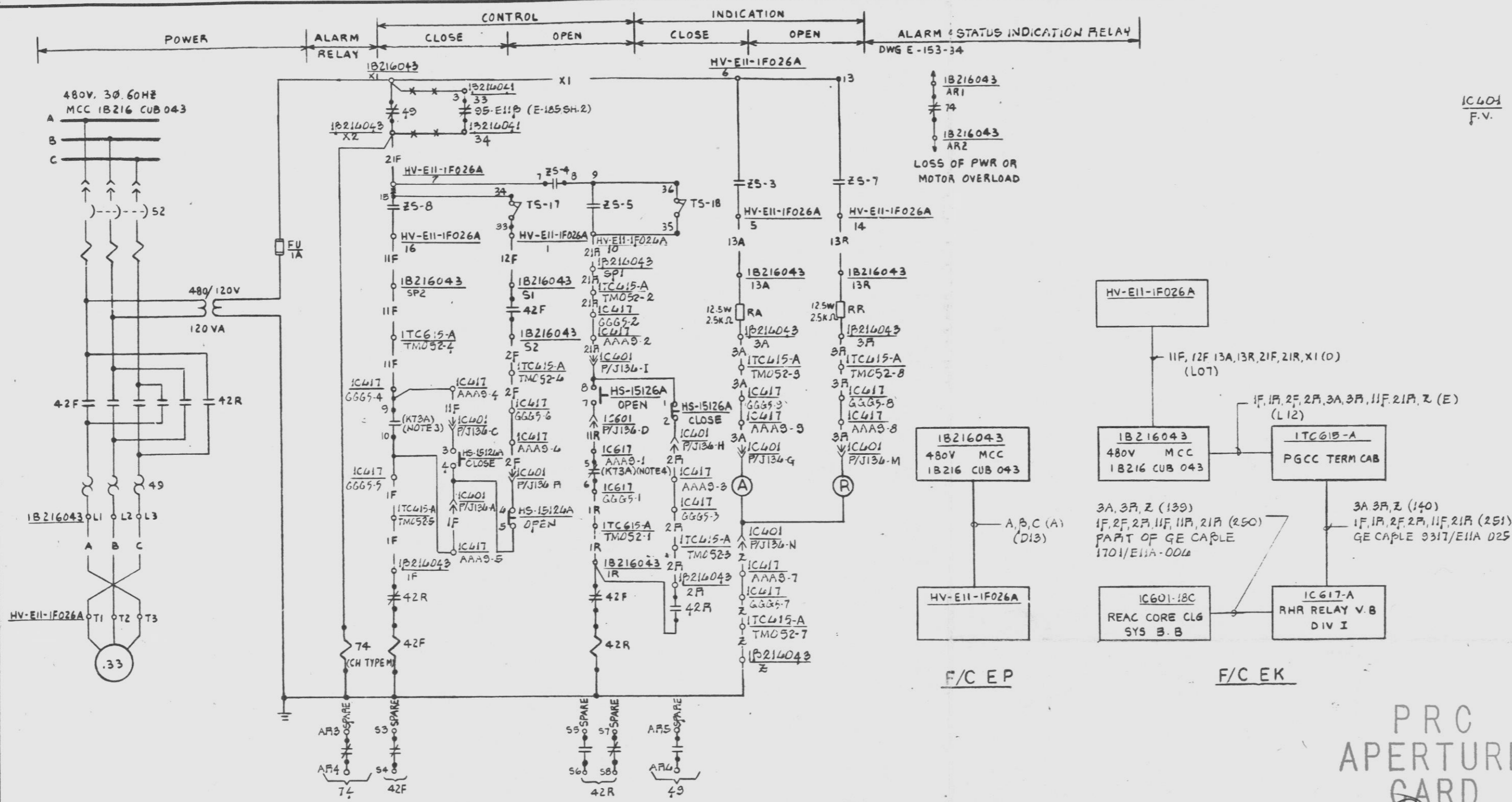


This drawing and the design it covers are the property of BECHTEL. They are hereby loaned and on the borrower's express agreement that they will not be reproduced, copied, loaned, exhibited, nor used except in the limited way and private use permitted by any written consent given by the lender to the borrower.



RHR HEAT EXCHANGER DRAIN TO RCIC VALVE HV-E11-IF026A
SCHEME NO 1Q3026
REF. SH.16

BLOCK No.	CONTACT No.	POSITION	DRAWING No.
HX COND FLOW TO RCIC F026A	10L2	F	X X THIS SH
	3004	B	X THIS SH
CLOSE AUTO OPEN	50L6	F	X X THIS SH
	7008	B	X THIS SH

CONTROL SWITCH: HS-15126A & HS-15111A
GENERAL ELECTRIC TYPE CR2940
SPRING RETURN TO AUTO

CONTACTS	100% OPEN	INTERMEDIATE	100% CLOSED	CONTACT USED
25-1	10-1-02			SPARE
25-2	30-1-04			SPARE
25-3	90-1-06			THIS SH
25-4	70-1-08			THIS SH
25-5	90-1-10			THIS SH
25-6	110-1-12			SPARE
25-7	130-1-14			THIS SH
25-8	150-1-16			THIS SH
25-9	170-1-18			SPARE
25-10	190-1-20			
25-11	210-1-22			
25-12	230-1-24			
25-13	250-1-26			
25-14	270-1-28			
25-15	290-1-30			
25-16	310-1-32			
TS-17	33-0-34	OPEN ON HIGH CLOSING TORQUE		THIS SH
TS-18	35-0-36	OPEN ON HIGH OPENING TORQUE		THIS SH

CONTACT CLOSED

- NOTES
- FOR STANDARD SYMBOLS FOR ELECTRICAL DIAGRAMS SEE E-42.
 - ALL DEVICE NOS TO BE SUFFIXED BY STARTER LOCATION NO UNLESS NOTED OTHERWISE.
 - CONTACT CLOSING ON HI DRYWELL PRESS OR REAC LOW LEVEL.
 - CONTACT OPENING ON HI DRYWELL PRESS OR REAC LOW LEVEL.
 - NOS IN PARENTHESIS ARE GE DEVICE NOS.
 - DESIGN BASED ON GE/APED ELEMENTARY 791E-18W(V/P 8856-MI-E11-002).

PRC
APERTURE
GARD

Doc# 50-357
Control # 230309038
Date 2/18/83 of Document
REGULATORY DOCKET FILE

BECHTEL NO.	PL. NO.
E-42	A-107191
8856-MI-E11-06	FF124510
E-185	D-107334

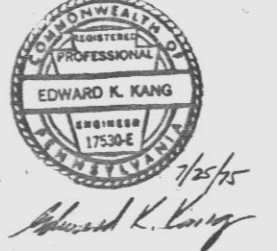
DIVISION NO	SCHEME NO.	VALVE		FACILITY CODE	STARTER LOCATION	CONTROL SWITCH		INTERLOCK		IC601-18C																					
		NO.	DESCR. PT. ON			NO.	LOCATION	AUX RELAY	LOCATION	PIJ NOS.	PIN NOS.																				
I	1Q3026	HV-E11-IF026A	HX COND FLOW TO RCIC F026A	.33	EP/EK	IB216043	HS-15126A	IC601-18C	IC617	130	D	I	H	C	A	F	N	M	Q												
I	1Q3028	HV-E11-IF011A	HX A DRN FLOW SUP. POOL F011A	.33	EP/EA	IB216043	HS-15111A	IC601-18C	IC617	130	F	W	V	U	L	K	K	(A)	Z												

LOCATION	TERMINAL NOS.						LOCATION	TERMINAL NOS.						95 RELAY						
	IC615-A	TM052-1	TM052-3	TM052-5	TM052-7	TM052-9		IC617	GGG5-1	GGG5-3	GGG5-5	GGG5-7	GGG5-9	AAA9-1	AAA9-3	AAA9-5	AAA9-7	AAA9-9	95-E11P/3	IB216041/33,34
IC615-A	TM024-13	TM024-9	TM024-11	TM024-14	TM024-15	TM024-16	IC617	EEE8-8	EEE8-9	EEE8-10	EEE8-12	EEE8-15	EEE8-16	AAA9-1	AAA9-3	AAA9-5	AAA9-7	AAA9-9	95-E11A/5	IB216041/11,12

G.E. CABLE (LINE CODE)	
0317/E11A-025 (140) (251)	1701/E11A-004 (139) (250)
0317/E11A-007 (142) (253)	1701/E11A-004 (252)
1701/E11A-008 (141)	

POOR ORIGINAL

UNCONTROLLED DOCUMENT
FOR REFERENCE ONLY



JOB No.	DRAWING No.	REV.
8856	E-153 SH22	5

D-107302 SH22

I certify that the microfilm image contained on this microform was made in the normal and regular course of business. This is a true, full, correct and complete reproduction and replacement for and/or in lieu of original documents generated by the federal group of companies.

DANNY Date 6-23-82 Camera Type MRG 1

D