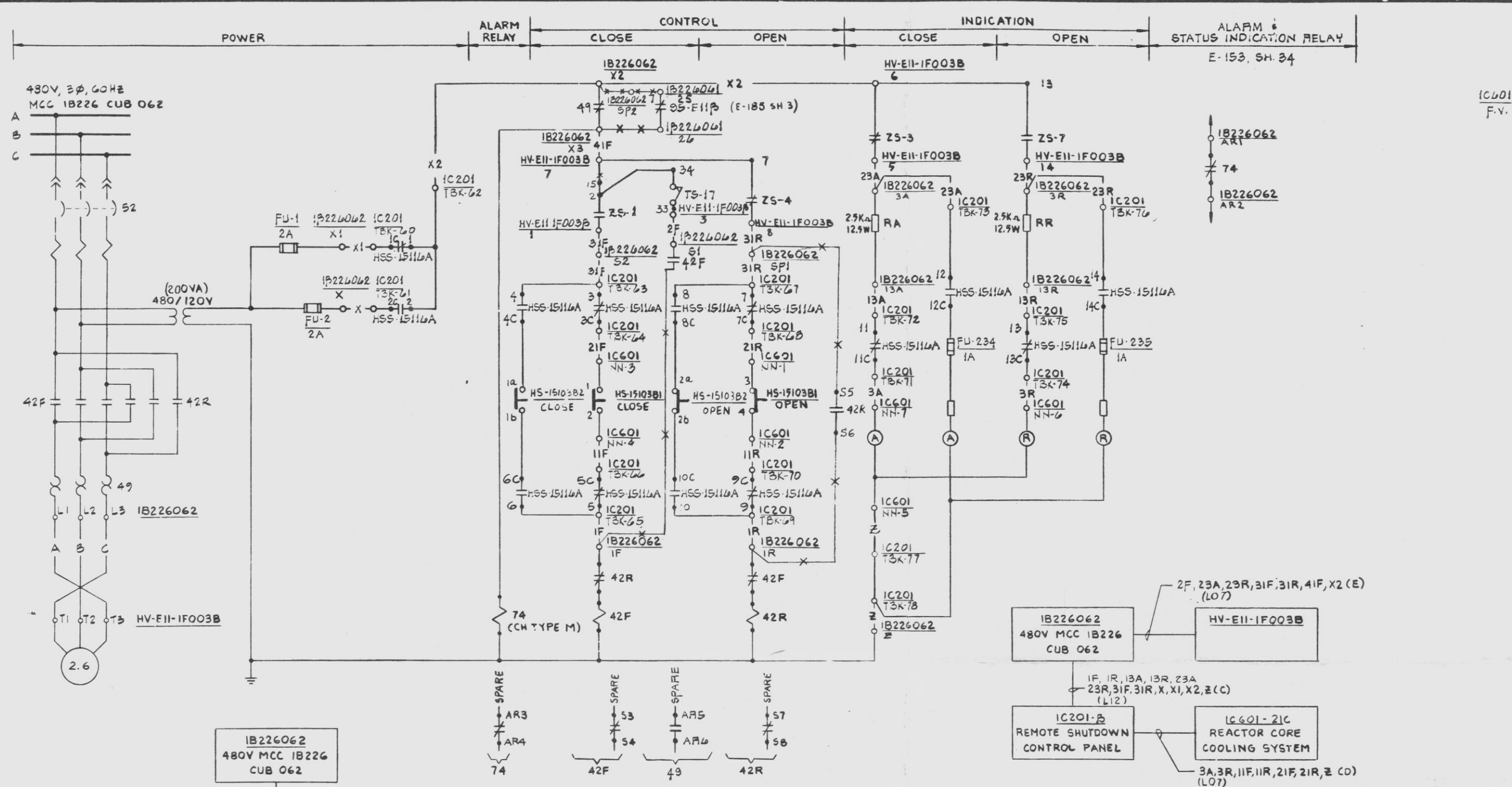


This drawing and the design it covers are the property of BECHTEL. They are hereby loaned and on the borrower's express agreement that they will not be reproduced, copied, loaned, exhibited, nor used except in the limited way and private use permitted by any written consent given by the lender to the borrower.



RHR HEAT EXCHANGER OUTLET VALVE HV-EII-1F003B
SCHEME NO. IQ3008
(REF SH 18)

BLOCK No.	CONTACT No.	POSITION		DRAWING No.
		CLOSE	OPEN	
TOP	10-02	F	X	THIS SH
BTM	50-06	F	X	SPARE
	7		X	SPARE

CONTROL SWITCH: HS-15103B1, HS-15147B1
GENERAL ELECTRIC TYPE CR2940
MAINTAINED CONTACT (KEY REMOVABLE IN OPEN POSITION)

VALVE LIMIT SWITCH DEVELOPMENT				
CONTACTS	100% OPEN	INTERMEDIATE	100% CLOSED	CONTACT USED
SS-1	10-1-02			(THIS SH)
SS-2	30-1-04			SPARE
SS-3	90-1-09			THIS SH
SS-4	70-1-08			THIS SH
SS-5	90-1-10			SPARE
SS-6	110-1-09			SPARE
SS-7	190-1-04			THIS SH
SS-8	50-1-06			SPARE
SS-9	170-1-08			
SS-10	190-1-02			
SS-11	110-1-02			
SS-12	190-1-04			
SS-13	30-1-02			E-153 SH 11
SS-14	270-1-03			SPARE
SS-15	290-1-03			
SS-16	310-1-02			
TS-7	SS-1-34	OPEN ON HIGH CLOSING TORQUE		THIS SH
TS-18	SS-1-34	OPEN ON HIGH OPENING TORQUE		SPARE

CONTACT CLOSED

- NOTES:
- ALL DEVICE NOS TO BE SUFFIXED BY STARTER LOCATION NR UNLESS NOTED OTHERWISE.
 - FOR STANDARD SYMBOLS FOR ELECTRICAL DIAGRAMS SEE DWG E-42.
 - FOR SWITCH DEVELOPMENT OF REMOTE SHUTDOWN PANEL (IC201) SWITCHES SEE DWG E-149, SH 2&3
 - DESIGN BASED ON SE ELEMENTARY 791E418WJ (V/P 8956-MI-EII-66 (18)).
 - FIELD TO DISCONNECT VENDOR JUMPER BETWEEN VALVE TERMINAL 1 & TERMINAL 33.

DIV	SCHEME NO	F/C	VALVE		HORSEPOWER	STARTER LOCATION	CONTROL SWITCH		IC601		CONTROL SWITCH		FUSE NO						
			NO	DESCRIPTION			NO	LOC	TERMINAL NO	NO	LOC								
II	IQ3008	FP/FK	HV-EII-1F003B	HX SHELL SIDE OUTLET F003P	2.6	IB226062	HS-15103B1	IC201-21C	NN-1	NN-2	NN-3	NN-4	NN-5	NN-6	NN-7	HS-15103B2	IC201-B	FU-234	FU-235
II	IQ3007	FP/FK	HV-EII-1F047B	HX SHELL SIDE INLET F047P	2.6	IB226033	HS-15147B1	IC201-21C	MM-49	MM-48	MM-49	MM-50	MM-51	MM-52	MM-53	HS-15147B2	IC201-B	FU-236	FU-237

TRF SW	CONTACT NOS														TERMINAL NOS														SS RELAY NO./CONTACT	LOCATION																				
	1-1C	3-3C	5-5C	7-7C	9-9C	11-11C	13-13C	15-15C	17-17C	19-19C	21-21C	23-23C	25-25C	27-27C	29-29C	31-31C	33-33C	35-35C	37-37C	39-39C	41-41C	43-43C	45-45C	47-47C	49-49C	51-51C	53-53C	55-55C			57-57C	59-59C	61-61C	63-63C	65-65C	67-67C	69-69C	71-71C	73-73C	75-75C	77-77C	79-79C	81-81C	83-83C	85-85C	87-87C	89-89C	91-91C	93-93C	95-95C
HSS-15110A	2-2C	4-4C	6-6C	8-8C	10-10C	12-12C	14-14C	16-16C	18-18C	20-20C	22-22C	24-24C	26-26C	28-28C	30-30C	32-32C	34-34C	36-36C	38-38C	40-40C	42-42C	44-44C	46-46C	48-48C	50-50C	52-52C	54-54C	56-56C	58-58C	60-60C	62-62C	64-64C	66-66C	68-68C	70-70C	72-72C	74-74C	76-76C	78-78C	80-80C	82-82C	84-84C	86-86C	88-88C	90-90C	92-92C	94-94C	96-96C	98-98C	00-00C
HSS-15115P	2-2C	4-4C	6-6C	8-8C	10-10C	12-12C	14-14C	16-16C	18-18C	20-20C	22-22C	24-24C	26-26C	28-28C	30-30C	32-32C	34-34C	36-36C	38-38C	40-40C	42-42C	44-44C	46-46C	48-48C	50-50C	52-52C	54-54C	56-56C	58-58C	60-60C	62-62C	64-64C	66-66C	68-68C	70-70C	72-72C	74-74C	76-76C	78-78C	80-80C	82-82C	84-84C	86-86C	88-88C	90-90C	92-92C	94-94C	96-96C	98-98C	00-00C

PRC APERTURE CARD
POOR ORIGINAL

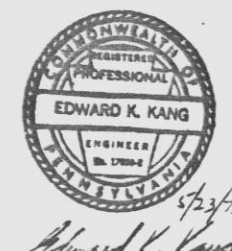
THIS DOCUMENT IS UNDER PPL ADMINISTRATIVE CONTROL. NO CHANGES CAN BE MADE WITHOUT PRIOR PPL APPROVAL.

REVISED PER DCR-B

REFERENCE DWG'S.	
BECHTEL NO.	PL. NO.
E-42	A-107191
E-149	A-107298
8956-MI-EII-66	FF 12.4 910
E-185	D-107334

Date: 3-30-89
Control # 8303090234-81
Date: 3-11-89 of Document:
REGULATORY DOCKET FILE

UNCONTROLLED DOCUMENT FOR REFERENCE ONLY



PAENNSYLVANIA POWER & LIGHT COMPANY
ALLENTOWN, PENNSYLVANIA
SUSQUEHANNA STEAM ELECTRIC STATION - UNIT 1, UNIT 2
BECHTEL - SAN FRANCISCO

SCHEMATIC DIAGRAM
RHR HEAT EXCHANGER VALVES
UNIT 1

JOB No.	DRAWING No.	REV.
8856	E-153 SH 11	5

D-107302 SH 11

61 T 77 SCHEM HX DISCHARGE VALVE

24 X

I certify that the microfilm image contained on this microform was made in the normal and regular course of business. This is a true, full, correct and complete reproduction and replacement for and/or in lieu of original documents generated by the Bechtel group of companies.
Sign: JACINTO Date: 6-14-89 Camera Type: MRO I

D