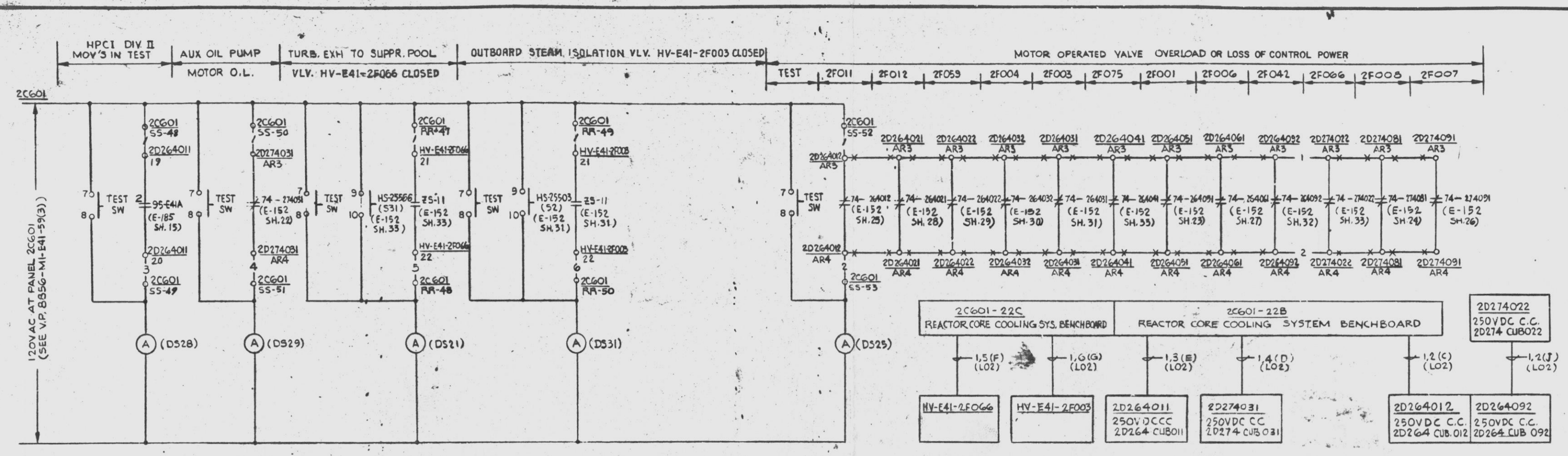
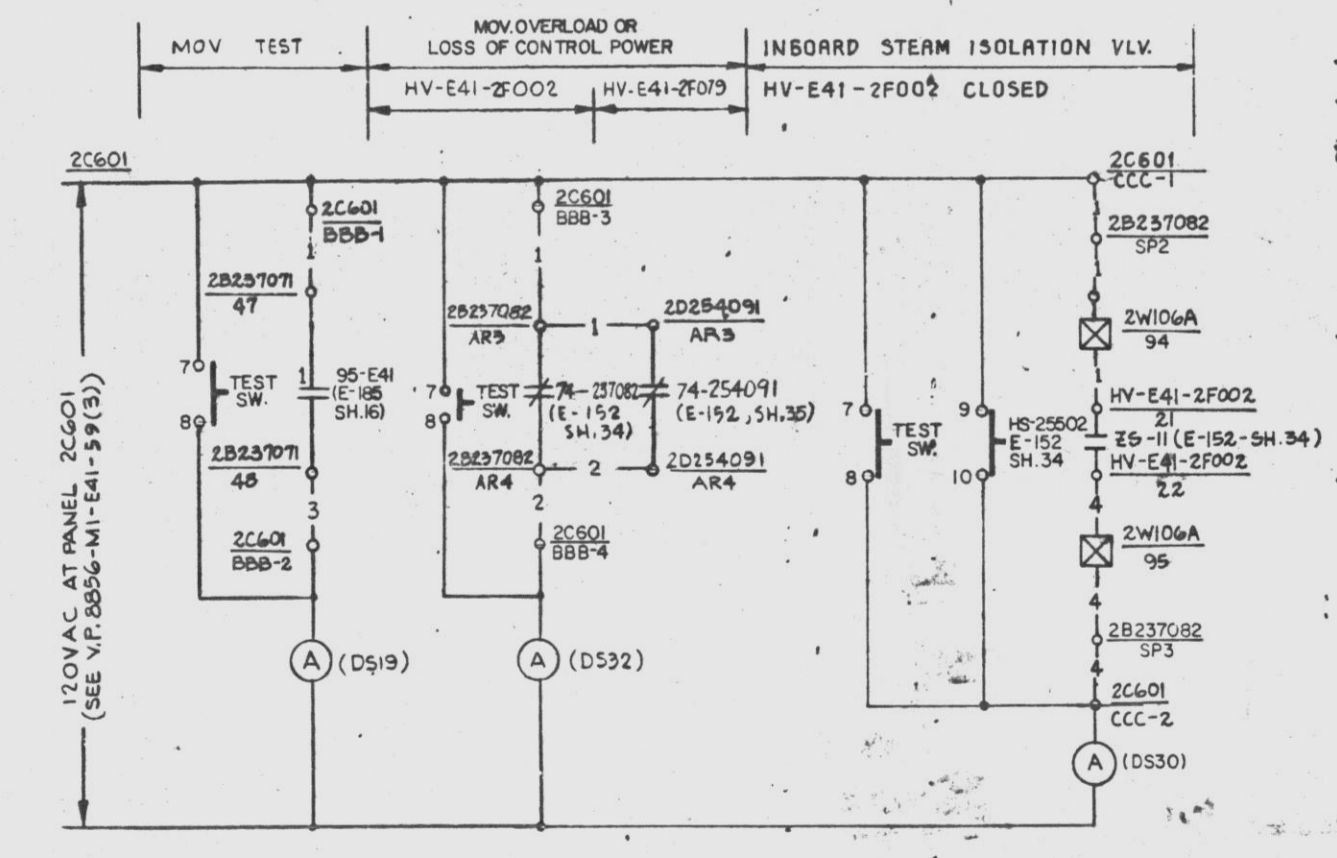


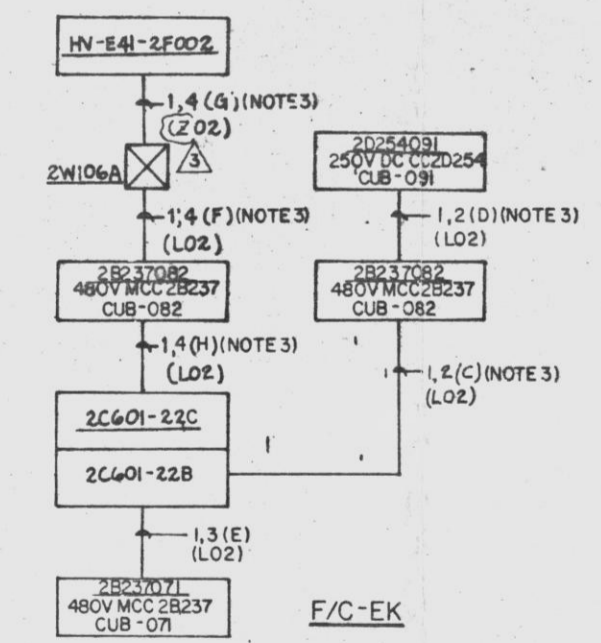
This drawing and the design it covers are the property of BECHTEL. They are hereby loaned and on the borrower's express agreement that they will not be reproduced, copied, loaned, established, nor used except in the limited way and private use permitted by the lender to the borrower.



HPCI STATUS INDICATION II  
SCHEME NO. 2Q4030  
REF. SH.11



HPCI STATUS INDICATION I  
SCHEME NO. 2Q4033  
REF. SH.11



F/C-EK

REFERENCE DWG'S.

BECHTEL NO.	PL. NO.
E-42	A-107191
M1-E41-58	FF127250
E-165	D-107334

- NOTES:
- FOR ELECTRICAL SYMBOLS FOR ELECTRICAL DWGS. SEE E-42.
  - DESIGN BASED ON CE/PEP ELEMENTARY 791E420RE (V/P 8856-M1-E-41-58).
  - THESE CABLE SHALL BE ROUTED IN SEPARATE CONDUIT PER E-60 SH.2.0 # SH.3.

UNCONTROLLED DOCUMENT FOR REFERENCE ONLY

Docket # 50-387  
Control # 3303090234-37  
Date 3/1/83 of Document:  
REGULATORY DOCKET FILE

PRC APERTURE CARD

POOR ORIGINAL

G2T80 SCH DIAG HPCI ALARM IND II

REV TO INCDR FCN E-357	10/1/82	10/1/82	10/1/82	10/1/82
REV BLOCK DIAG AND ADDED NOTE 3(DGR)	10/1/82	10/1/82	10/1/82	10/1/82
REV TERM NO AND LTB DESCRIPTION (DGR)	10/1/82	10/1/82	10/1/82	10/1/82
ADDED TERMINAL NOS & REVISED AS SHOWN	10/1/82	10/1/82	10/1/82	10/1/82
ISSUED FOR CONSTRUCTION	10/1/82	10/1/82	10/1/82	10/1/82

SCALE NONE DESIGNED S.K. SHIM DRAWN J.L.D.

**PENNSYLVANIA POWER & LIGHT COMPANY**  
ALLENTOWN, PENNSYLVANIA  
SUSQUEHANNA STEAM ELECTRIC STATION - UNIT 1, UNIT 2

BECHTEL - SAN FRANCISCO

SCHEMATIC DIAGRAM  
HPCI ALARM INDICATION  
UNIT 2

JOB No.	DRAWING No.	REV.
8856	E-152 SH 36	3

D-107301 SH 36

D

24X

RC. AKINS 10-1-72