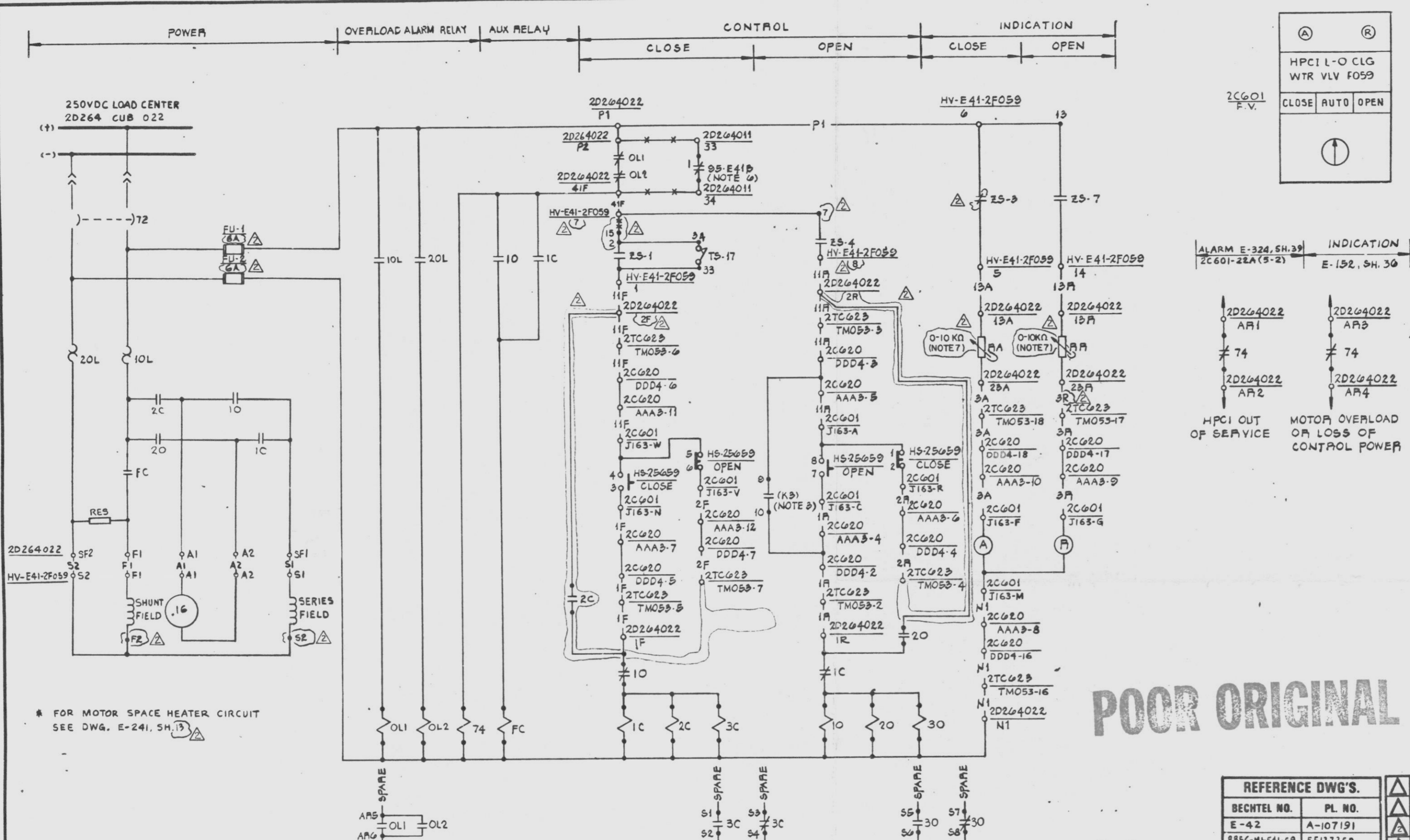


This drawing and the design it covers are the property of BECHTEL. They are merely loaned and on the borrower's express agreement that they will not be reproduced, copied, loaned, exhibited, nor used except in the limited way and private use permitted by the lender to the borrower.



SWITCH DEVELOPMENT

BLOCK NO.	CONTACT NO.	POSITION			DWG NO.
		CLOSE	AUTO	OPEN	
TOP	1 aL2	F	X	X	THIS SH
	3 0 4	B	X		THIS SH
BTM	5 aL6	F	X	X	THIS SH
	7 0 8	B		X	THIS SH

CONTR SWITCH HS25659  
GE TYPE CR2940 SPRING RETURN TO AUTO

VALVE LIMIT SWITCH DEVELOPMENT

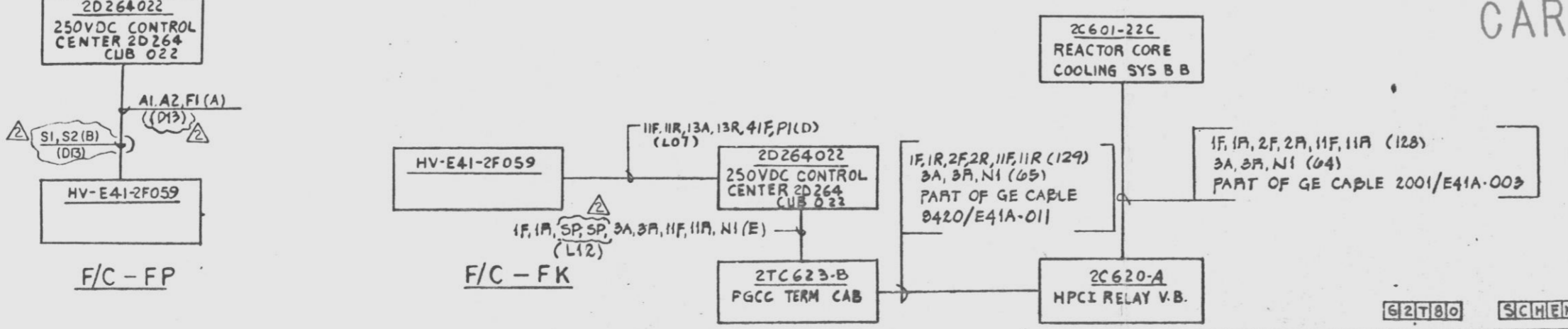
CONTACTS	100% OPEN	INTERMEDIATE	100% CLOSED	CONTACT USED
ES-1 10-1-02				THIS SHEET
ES-2 30-1-04				SPARE
ES-3 50-1-06				THIS SHEET
ES-4 70-1-08				THIS SHEET
ES-5 90-1-10				SPARE
ES-6 110-1-12				SPARE
ES-7 130-1-14				THIS SHEET
ES-8 150-1-16				SPARE

CONTACT CLOSED  
HV-E41-2F059

- NOTES
- FOR STANDARD SYMBOLS FOR ELECTRICAL DIAGRAMS SEE DWG 8856-E-42.
  - ALL DEVICE NOS TO BE SUFFIXED BY STARTER LOCATION NR UNLESS NOTED.
  - CLOSES ON RPV LOW LEVEL OR ON HIGH DRYWELL PRESSURE.
  - NOS IN PARENTHESIS ARE GE DEVICE NOS.
  - DESIGN BASED ON GE/APED ELEMENTARY 791E420AE (V/P 8856-M1-E41-59).
  - FOR TEST BYPASS CONTACT 9B-E41B SEE DWG E-185, SH.15
  - FIELD TO REPLACE WITH 0-10KΩ VARIABLE RESISTORS AND ADJUST TO 24V ACROSS THE LIGHT CIRCUIT.

POOR ORIGINAL

HPCI LUBE OIL COOLING WATER SUPPLY VALVE HV-E41-2F059 II  
SCHEME NO 2Q4010  
REF SH B.



REFERENCE DWG'S.

BECHTEL NO.	PL. NO.
E-42	A-107191
8856-M-E41-59	FF127250
E-185	D-107334
8856-E121-20(33)	FF103210
8856-P15A-60	FF11050

PRC APERTURE CARD

Docket # 50-381  
Control # 8303090234  
Date 3/1/83 of Document  
REGULATORY DOCKET FILE

UNCONTROLLED DOCUMENT  
FOR REFERENCE ONLY

REVISIONS

NO.	DATE	REVISIONS	BY	CHKD	ENGR	APP'D
1	11/24/74	REVISED TERM. NO. (DCR 42) PER DCP #113, 488.2 AND 1000P.2044(1000)	NG			
2	1/25/79	ADDED TERM. N25 & REVISED AS SHOWN.	SS			
3	7/1/77	ISSUED FOR CONSTRUCTION.	SS			

SCALE NONE DESIGNED S. K. SHIM DRAWN T. L. B. CHECKED

PENNSYLVANIA POWER & LIGHT COMPANY  
ALLENTOWN, PENNSYLVANIA  
SUKOJAHAMMA STEAM ELECTRIC STATION - UNIT 1, UNIT 2

BECHTEL - SAN FRANCISCO

SCHEMATIC DIAGRAM  
HPCI LUBE OIL CLG WTR SUP VALVE  
UNIT 2

JOB No.	DRAWING No.	REV.
8856	E-152 SH 29	2

D-107301 SH.29

24X

I certify that the microfilm image contained on this microform was made in the normal and regular course of business. This is a true, full, correct and complete reproduction and replacement for and/or in lieu of original documents generated by the Bechtel group of companies.

Signed: \_\_\_\_\_ Date: 1-30-81 Camera Type: XEROX

D