

REGULATORY INFORMATION DISTRIBUTION SYSTEM (RIDS)

ACCESSION NBR: 8104210353 DOC. DATE: 81/04/16 NOTARIZED: NO
 FACIL: 50-387 Susquehanna Steam Electric Station, Unit 1, Pennsylv
 50-388 Susquehanna Steam Electric Station, Unit 2, Pennsylv
 AUTH. NAME AUTHR AFFILIATION
 CURTIS, N.W. Pennsylvania Power & Light Co.
 RECIP. NAME RECIPIENT AFFILIATION
 YOUNGBLOOD, B.J. Licensing Branch 1

DOCKET #
 05000387
05000388

SUBJECT: Forwards design assessment rept figure re liner plate wall
 emends & anchors. Submittal closes NRC concern re equipment
 design.

DISTRIBUTION CODE: 8001S COPIES RECEIVED: LTR 1 ENCL 1 SIZE: 2
 TITLE: PSAR/FSAR AMDTS and Related Correspondence

NOTES: Send I&E 3 copies FSAR & all amends.
 Send I&E 3 copies FSAR & all amends.

05000387
 05000388

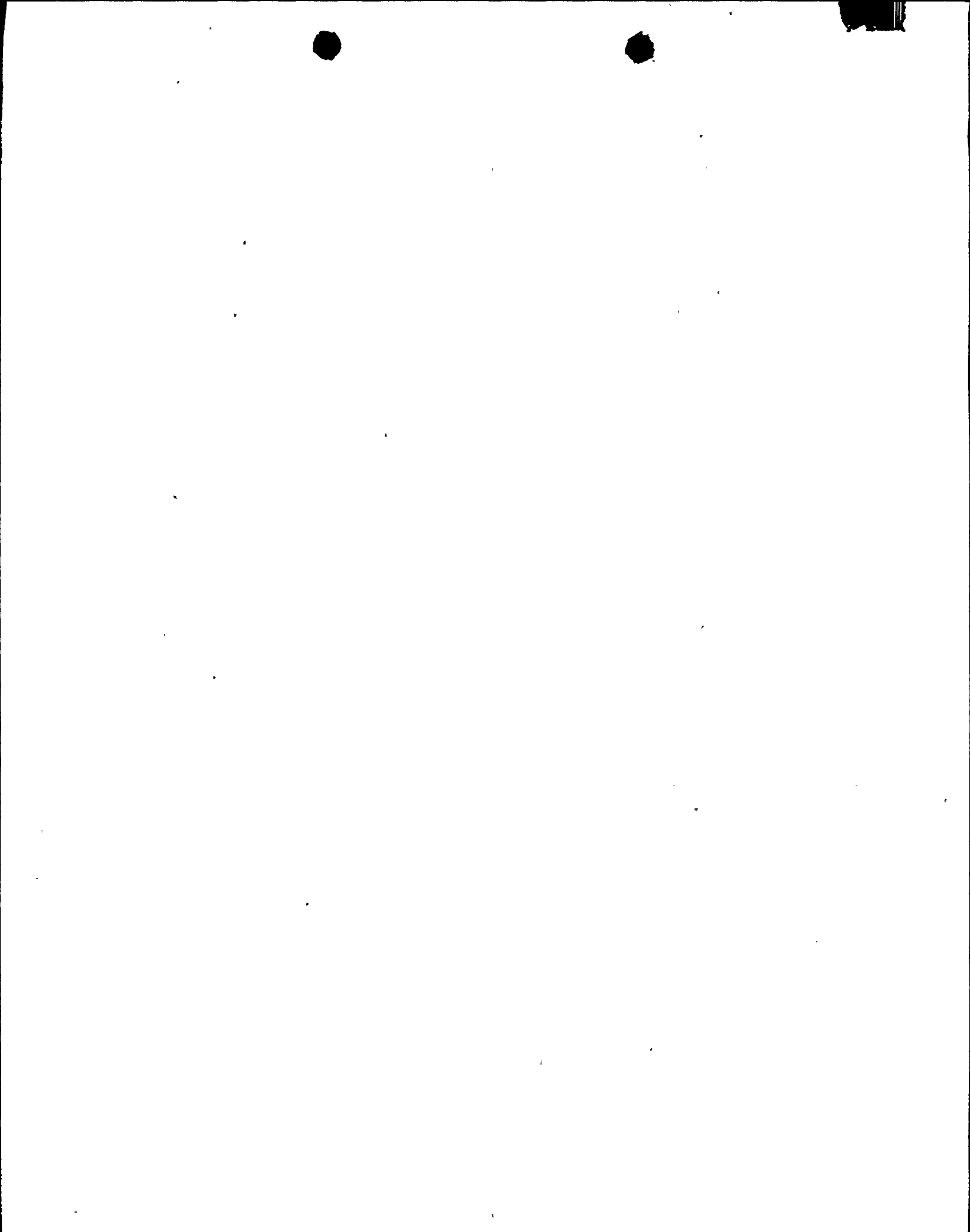
ACTION:	RECIPIENT ID CODE/NAME	COPIES		RECIPIENT ID CODE/NAME	COPIES	
		LTR	ENCL		LTR	ENCL
	A/D LICENSNG	1	0	YOUNGBLOOD, B	1	0
	RUSHBROOK, M.	1	0	STARK, R. 04	1	1
INTERNAL:	ACCID EVAL BR26	1	1	AUX SYS BR 07	1	1
	CHEM ENG BR 08	1	1	CONT SYS BR 09	1	1
	CORE PERF BR 10	1	1	EFF TR SYS BR12	1	1
	EMERG PREP 22	1	0	EQUIP QUAL BR13	3	3
	GEUSCIENCES 14	1	1	HUM FACT ENG BR	1	1
	HYD/GE0 BR 15	2	2	I&C SYS BR 16	1	1
	I&E 06	3	3	LIC GUID BR	1	1
	LIC QUAL BR	1	1	MATL ENG BR 17	1	1
	MECH ENG BR 18	1	1	MPA	1	0
	NRC PDR 02	1	1	OELD	1	0
	OP LIC BR	1	1	POWER SYS BR 19	1	1
	PROC/TST REV 20	1	1	QA BR 21	1	1
	RAD ASSESS BR22	1	1	REAC SYS BR 23	1	1
	<u>REG FILE</u> 01	1	1	SIT ANAL BR 24	1	1
	STRUCT ENG BR25	1	1	SYS INTERAC BR	1	1
EXTERNAL:	ACRS 27	16	16	LPDR 03	1	1
	NSIC 05	1	1			

APR 24 1981

max

RSB

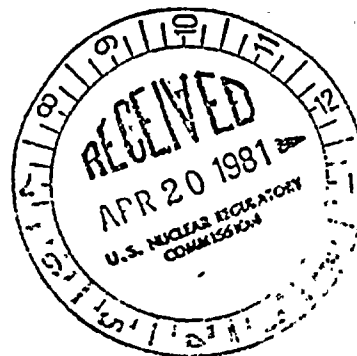
TOTAL NUMBER OF COPIES REQUIRED: LTR 57 ENCL 51



PP&L

TWO NORTH NINTH STREET, ALLENTOWN, PA. 18101 PHONE: (215) 770-5151

NORMAN W. CURTIS
Vice President-Engineering & Construction-Nuclear
770-5381



April 16, 1981

M. B. J. Youngblood
Licensing Branch #1
U. S. Nuclear Regulatory Commission
Washington, D. C. 20555

Susquehanna Steam Electric Station Docket Nos. 50-387 and 50-388
Liner Plate Wall Embeds and Anchors Drawing
ER100450 File 841-2
PLA-732

Dear Mr. Youngblood:

Attached is a copy of a DAR figure which shows the liner plate wall embeds and anchors. This figure will be in the next revision to the DAR.

This closes your concern on the design of the liner plate wall embeds and anchors.

Very truly yours,

N. W. Curtis

N. W. Curtis
Vice President-Engineering and Construction-Nuclear

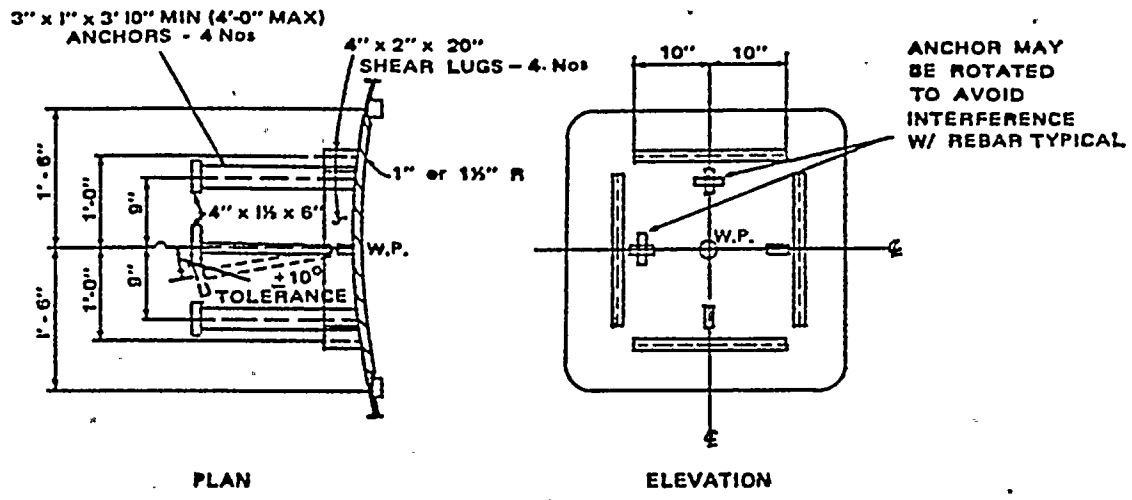
cc: R. M. Stark
bss: N. W. Curtis
W. E. Barberich
B. A. Snapp
C. T. Coddington
R. J. Shovlin

*Bools
s
//*

A

8104210 353

PENNSYLVANIA POWER & LIGHT COMPANY



EMBED SCHEDULE (VENT PIPE BRACING LEVEL ONLY)			
EMBED No.	W.P. ELEV	AZIMUTH	DESCRIPTION
EM-1	668'-0"	0°	VENT PIPE BRACING
2	▲	30°	▲
3	▲	60°	▲
4	▲	90°	▲
5	▲	120°	▲
6	▲	150°	▲
7	▲	180°	▲
8	▲	210°	▲
9	▲	240°	▲
10	▲	270°	▲
11	▼	300°	▼
12	668'-0"	330°	VENT PIPE BRACING

SUSQUEHANNA STEAM ELECTRIC STATION
 UNITS 1 AND 2
 DESIGN ASSESSMENT REPORT

LINER PLATE WALL EMBEDS
 AND ANCHORS

FIGURE