

REGULATORY INFORMATION DISTRIBUTION SYSTEM (RIDS)

ACCESSION NBR: 8010140331 DOC. DATE: 80/10/06 NOTARIZED: NO DOCKET #
 FACIL: 50-387 Susquehanna Steam Electric Station, Unit 1, Pennsylv 05000387
 50-388 Susquehanna Steam Electric Station, Unit 2, Pennsylv 05000388
 AUTH NAME: CURTIS, N.W. AUTHOR AFFILIATION: Pennsylvania Power & Light Co.
 RECIP. NAME: GRIER, B.H. RECIPIENT AFFILIATION: Region 1, Philadelphia, Office of the Director ^{MR/1}

SUBJECT: Interim deficiency status update rept re Pacific check valves. Bechtel investigation & rept re defective check valves will not be available until 801231. Will submit final rept by 810131.

DISTRIBUTION CODE: 8019S COPIES RECEIVED: LTR 1 ENCL 0 SIZE: 1
 TITLE: Construction Deficiency Report (10CFR50.55E)

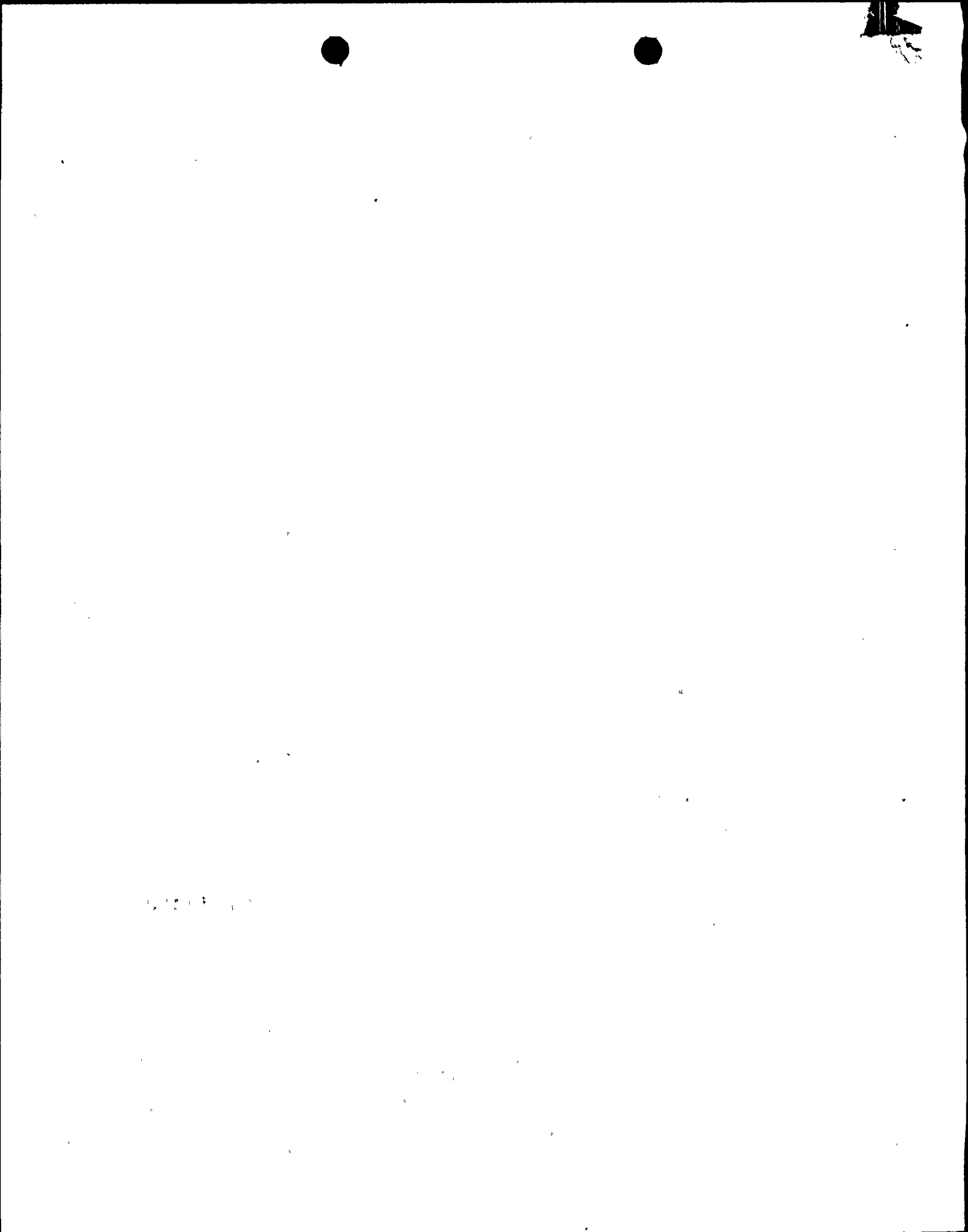
NOTES: Send I&E 3 copies FSAR & all amends. 05000387
~~Send I&E 3 copies FSAR & all amends.~~ 05000388

ACTION:	RECIPIENT		COPIES		RECIPIENT	COPIES	
	ID CODE/NAME		LTR	ENCL		ID CODE/NAME	LTR
ACTION:	A/D LICENSNG	04	1		YOUNGBLOOD, B	05	1
	RUSHBROOK, M.	06	1		STARK, R.	07	1
INTERNAL:	AD/RCI/IE	17	1	1	AEOD	18	1
	ASLBP/J. HARD		1	1	D/DIR HUM FAC15		1
	EDO & STAFF	19	1	1	EQUIP QUAL BR11		1
	HYD/GEO BR	22	1	1	I&E	09	2
	LIC QUAL BR	12	1	1	MPA	20	1
	NRC PDR	02	1	1	OELD	21	1
	PROC/TSI REV	13	1	1	QA BR	14	1
	REG FILE	01	1	1	RUTHERFORD, N. IE		1
	STANDRDS DEV	21	1				
EXTERNAL:	ACRS	16	16	16	LPDR	03	1
	NSIC	08	1	1			

OCT 15 1980

TOTAL NUMBER OF COPIES REQUIRED: LTR 43 ENCL 0

R
S.L.



NORMAN W. CURTIS
Vice President - Engineering & Construction - Nuclear
821-5381

October 6, 1980

Mr. Boyce H. Grier
Director, Region I
U. S. Nuclear Regulatory Commission
631 Park Avenue
King of Prussia, Pennsylvania 19406

SUSQUEHANNA STEAM ELECTRIC STATION
STATUS UPDATE ON DEFICIENCY OF
PACIFIC CHECK VALVES
ERs 100450/100508 FILES 804-4/900-10
PLA-554

References: PLA-502 dated 07/03/80
 PLA-466 dated 03/31/80

Dear Mr. Grier:

This letter serves to provide the current status relative to a condition identified in the above referenced correspondence which advised the Commission of a deficiency reportable under the provisions of 10CFR50.55(e).

PP&L has been advised by Bechtel that its investigation and report relative to the defective check valves will not be available until December, 1980. Consequently, PP&L expects to provide the Commission a final report in January, 1981.

Very truly yours,



N. W. Curtis
Vice President-Engineering & Construction-Nuclear

FLW:mcb

cc: Mr. Victor Stello (15)
Director-Office of Inspection & Enforcement
U. S. Nuclear Regulatory Commission
Washington, D.C. 20555

Mr. G. McDonald, Director
Office of Management Information & Program Control
U. S. Nuclear Regulatory Commission
Washington, D.C. 20555

Mr. Robert M. Gallo
U. S. Nuclear Regulatory Commission
P. O. Box 52
Shickshinny, Pennsylvania 18655

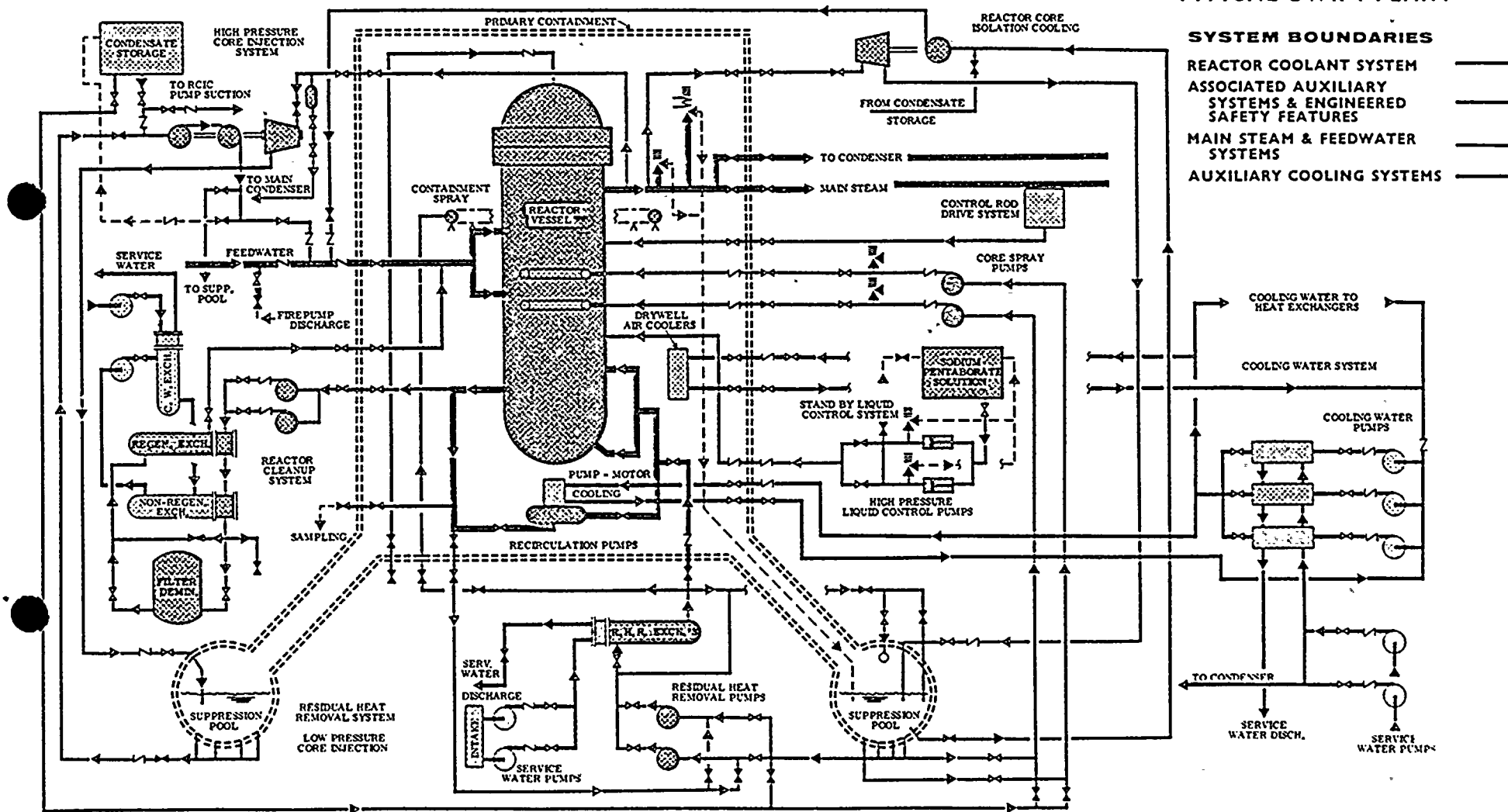
PENNSYLVANIA POWER & LIGHT COMPANY

*Boia
5/10*

5 8010140-331

Figure D

TYPICAL BWR-I PLANT



SYSTEM BOUNDARIES

- REACTOR COOLANT SYSTEM ———
- ASSOCIATED AUXILIARY SYSTEMS & ENGINEERED SAFETY FEATURES ———
- MAIN STEAM & FEEDWATER SYSTEMS ———
- AUXILIARY COOLING SYSTEMS ———