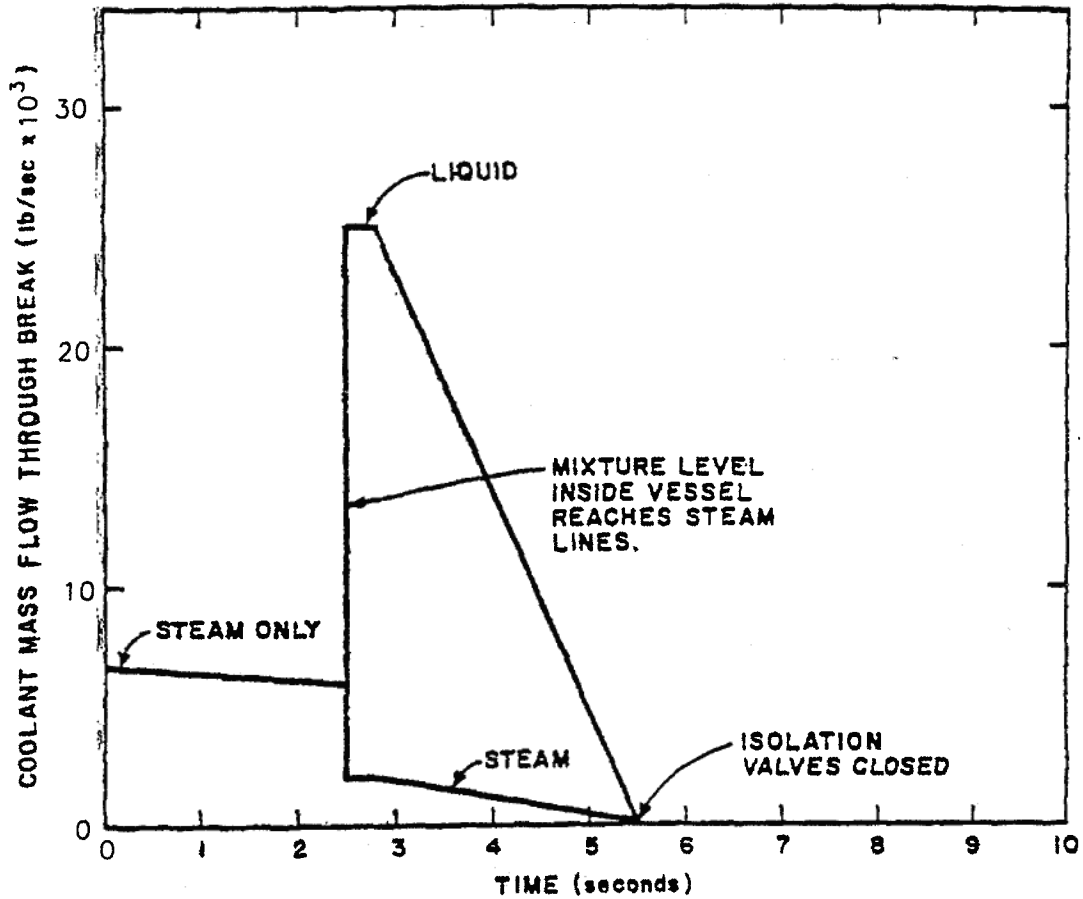


AMENDMENT 16

BROWNS FERRY NUCLEAR PLANT FINAL SAFETY ANALYSIS REPORT
Pipe Failure Analysis Main Steam & Feedwater Vault Enclosure Figure M.0-1



AMENDMENT 17

BROWNS FERRY NUCLEAR PLANT
FINAL SAFETY
ANALYSIS REPORT

MAIN STEAMLINE BREAK ACCIDENT
MASS OF COOLANT LOST THROUGH BREAK

FIGURE M.0-2

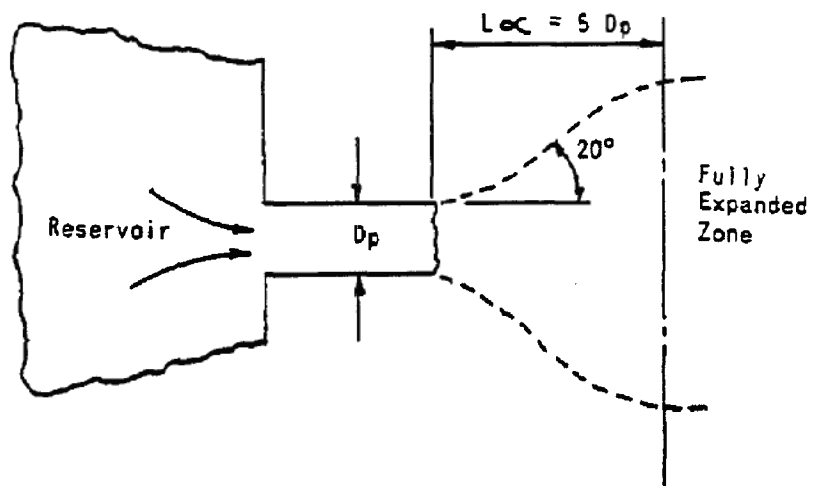


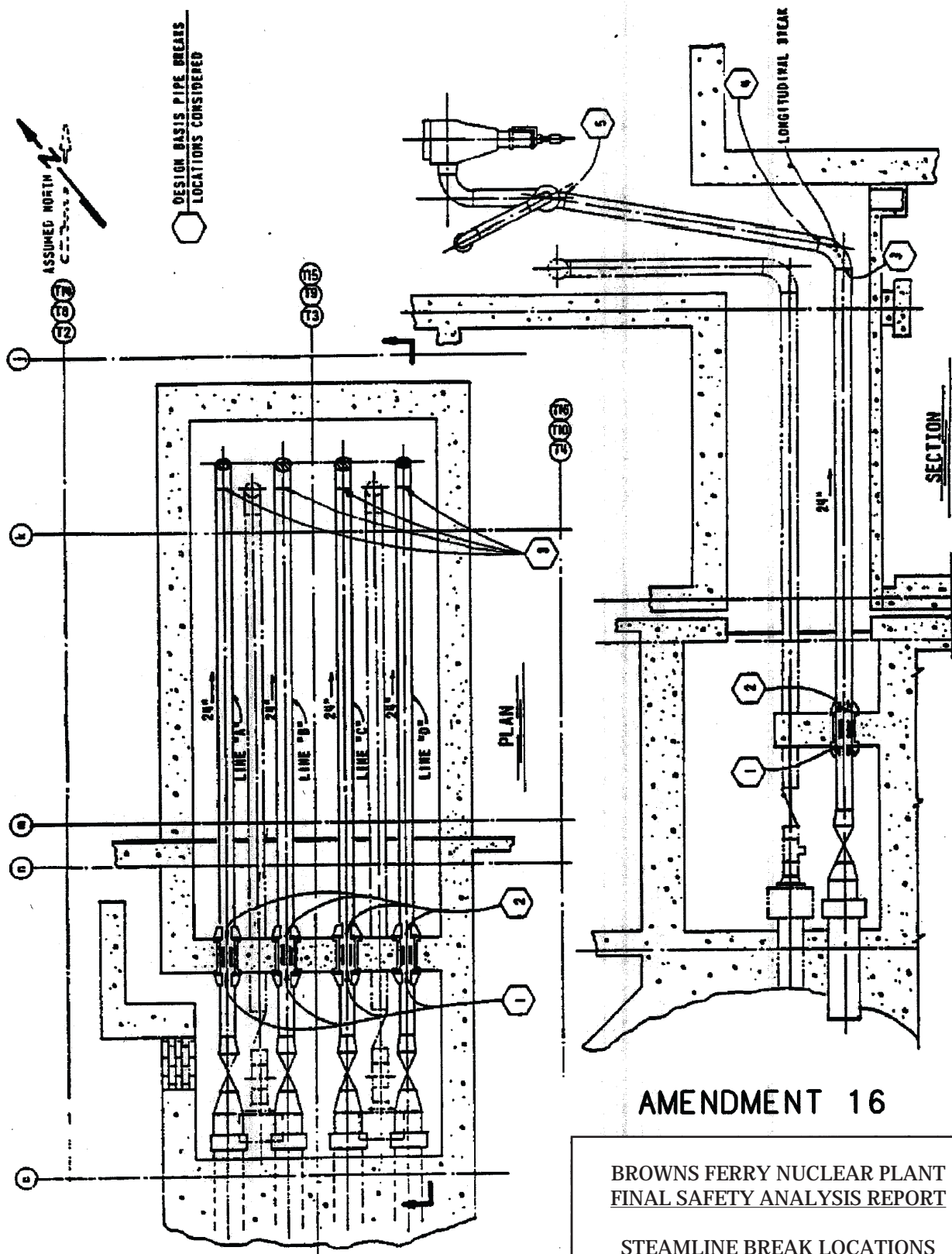
Figure M.0-3 : Jet Expansion Analytical Model

AMENDMENT 16

BROWNS FERRY NUCLEAR PLANT
FINAL SAFETY
ANALYSIS REPORT

JET LOADING MODEL

FIGURE M.0-3

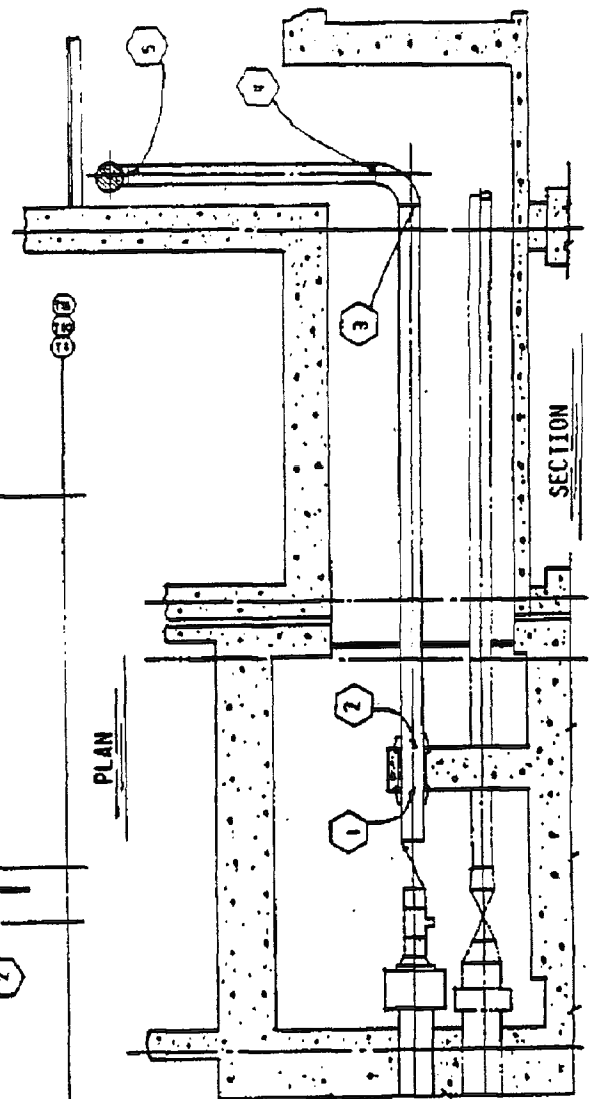
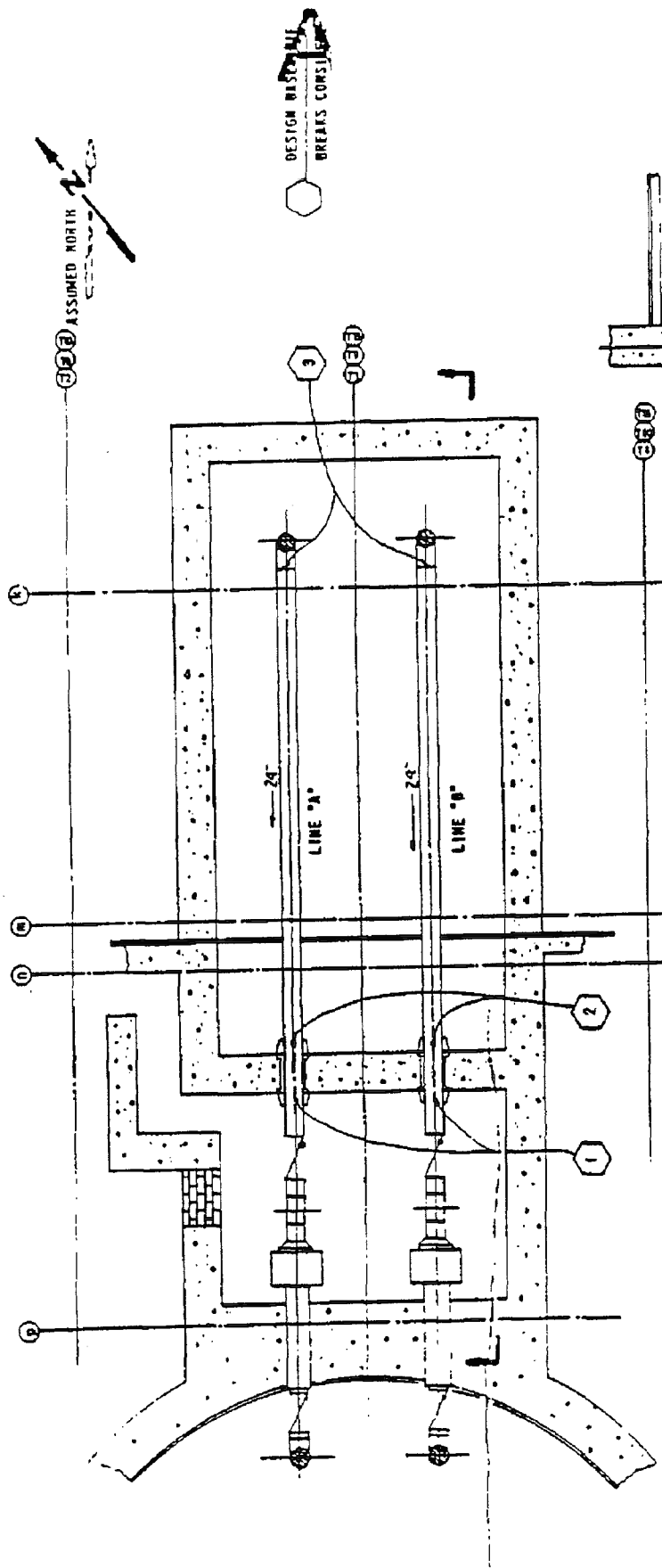


AMENDMENT 16

BROWNS FERRY NUCLEAR PLANT
FINAL SAFETY ANALYSIS REPORT

STEAMLINE BREAK LOCATIONS
IN STEAM VAULT

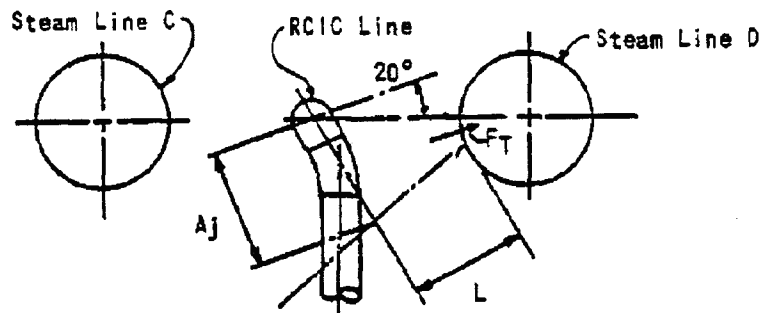
FIGURE M.0-4



AMENDMENT 16

BROWNS FERRY NUCLEAR PLANT
 FINAL SAFETY
 ANALYSIS REPORT

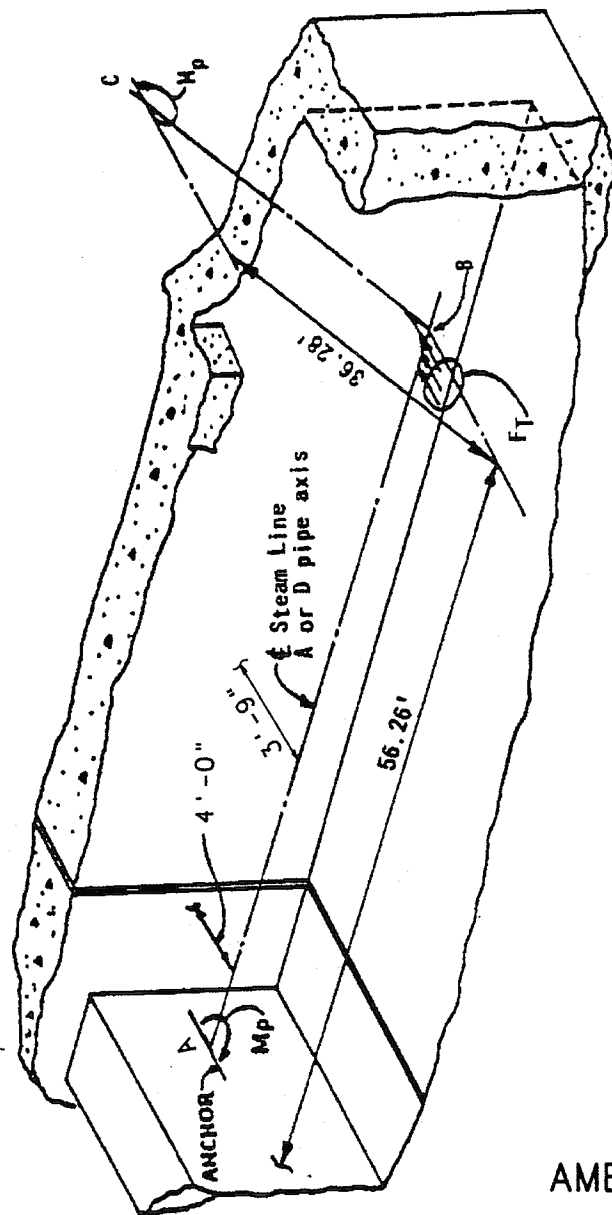
FEEDWATER LINE BREAK LOCATIONS
 IN STEAM VAULT
 FIGURE M.O-5



AMENDMENT 16

BROWNS FERRY NUCLEAR PLANT
FINAL SAFETY
ANALYSIS REPORT

JET IMPINGEMENT LOADING ON
RCIC PUMP DISCHARGE LINE
FIGURE M.O-6



AMENDMENT 17

**BROWNS FERRY NUCLEAR PLANT
FINAL SAFETY
ANALYSIS REPORT**

PIPE IMPACT ANALYTICAL MODEL FOR
WORST PIPE BREAK INSIDE TURBINE
BUILDING

FIGURE M.O-7