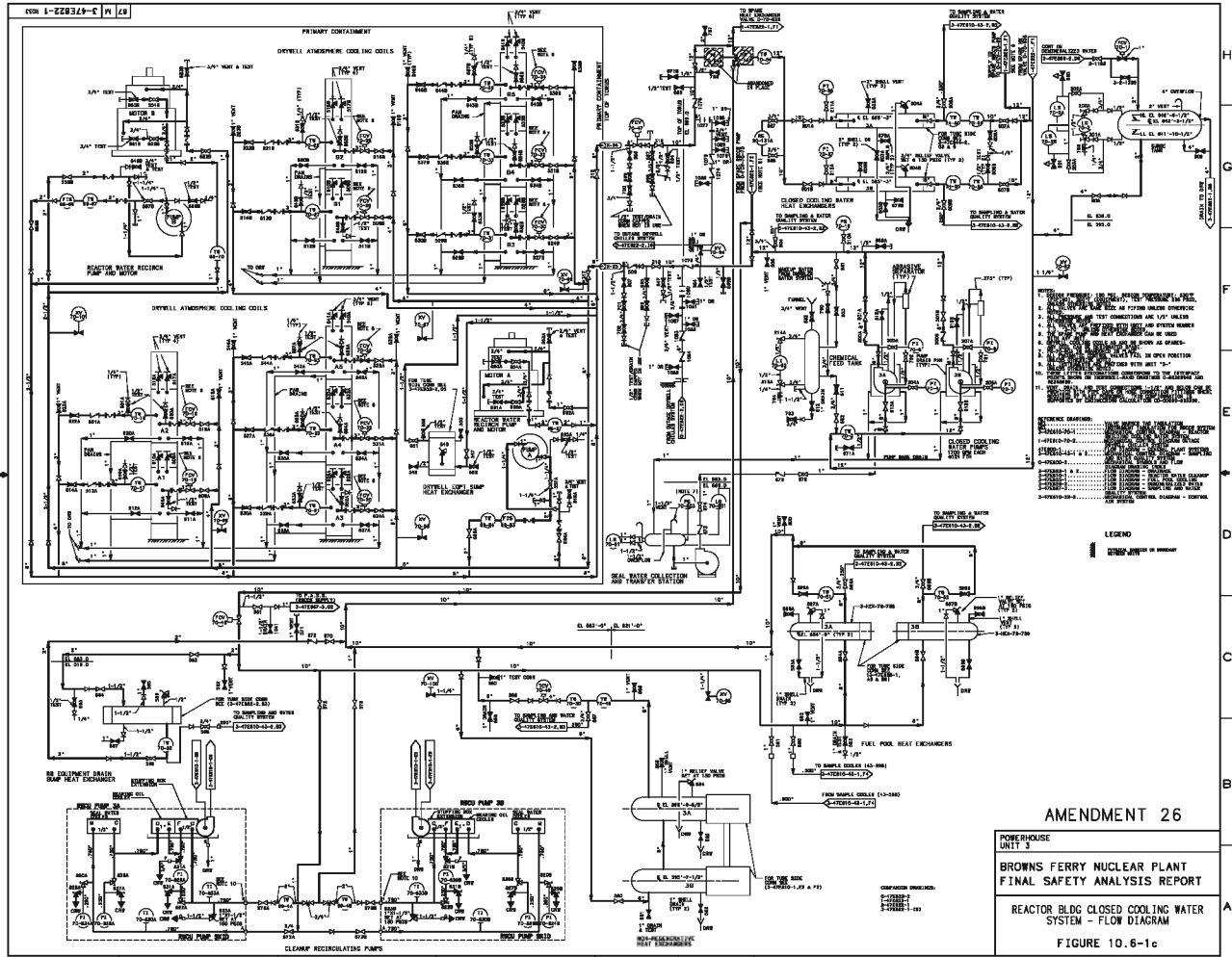


AMENDMENT 25

POWERHOUSE
UNIT 2
BROWNS FERRY NUCLEAR PLANT
FINAL SAFETY ANALYSIS REPORT
REACTOR BUILDING
CLOSED COOLING WATER SYSTEM
FLOW DIAGRAM
FIGURE 10.6-1b

- NOTES:
1. SYSTEM OPERATING AND ALL SYSTEM TEMPERATURES 120°F
 2. ALL SYSTEMS ARE DESIGNED TO OPERATE AT 150 PSIG
 3. ALL SYSTEMS ARE DESIGNED TO OPERATE AT 150 PSIG
 4. ALL SYSTEMS ARE DESIGNED TO OPERATE AT 150 PSIG
 5. ALL SYSTEMS ARE DESIGNED TO OPERATE AT 150 PSIG
 6. ALL SYSTEMS ARE DESIGNED TO OPERATE AT 150 PSIG
 7. ALL SYSTEMS ARE DESIGNED TO OPERATE AT 150 PSIG
 8. ALL SYSTEMS ARE DESIGNED TO OPERATE AT 150 PSIG
 9. ALL SYSTEMS ARE DESIGNED TO OPERATE AT 150 PSIG
 10. ALL SYSTEMS ARE DESIGNED TO OPERATE AT 150 PSIG
- REFERENCE SYMBOLS:
- 1. 150 PSIG
 - 2. 150 PSIG
 - 3. 150 PSIG
 - 4. 150 PSIG
 - 5. 150 PSIG
 - 6. 150 PSIG
 - 7. 150 PSIG
 - 8. 150 PSIG
 - 9. 150 PSIG
 - 10. 150 PSIG



BFN-22

Figures 10.6-2a through 10.6-2d
(Deleted by Amendment 22)

|