

BFN-22

Figures 7.7-1a through 7.7-1d
(Deleted by Amendment 22)

|

BFN-17

Figures 7.7-1e and 7.7-1f
(Deleted by Amendment 17)

|
|

THE BACKGROUND OF THE INDICATED
DIGIT IS RED FOR FULL-OUT ("48")
AND GREEN FOR FULL-IN ("00").

(WHITE) (AMBER)



DETAIL "A"

(AMBER)
(BLUE)

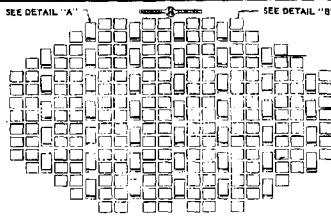


DETAIL "B"

MOUNTING BEZEL
(WHITE)
TYPICAL
(RED)

SEE DETAIL "A"

SEE DETAIL "B"



VERTICAL
SECTION



SEE DETAIL "C"



DESK SECTION

SELECT PUSHBUTTON MODULE



DETAIL "C"

(WHITE)

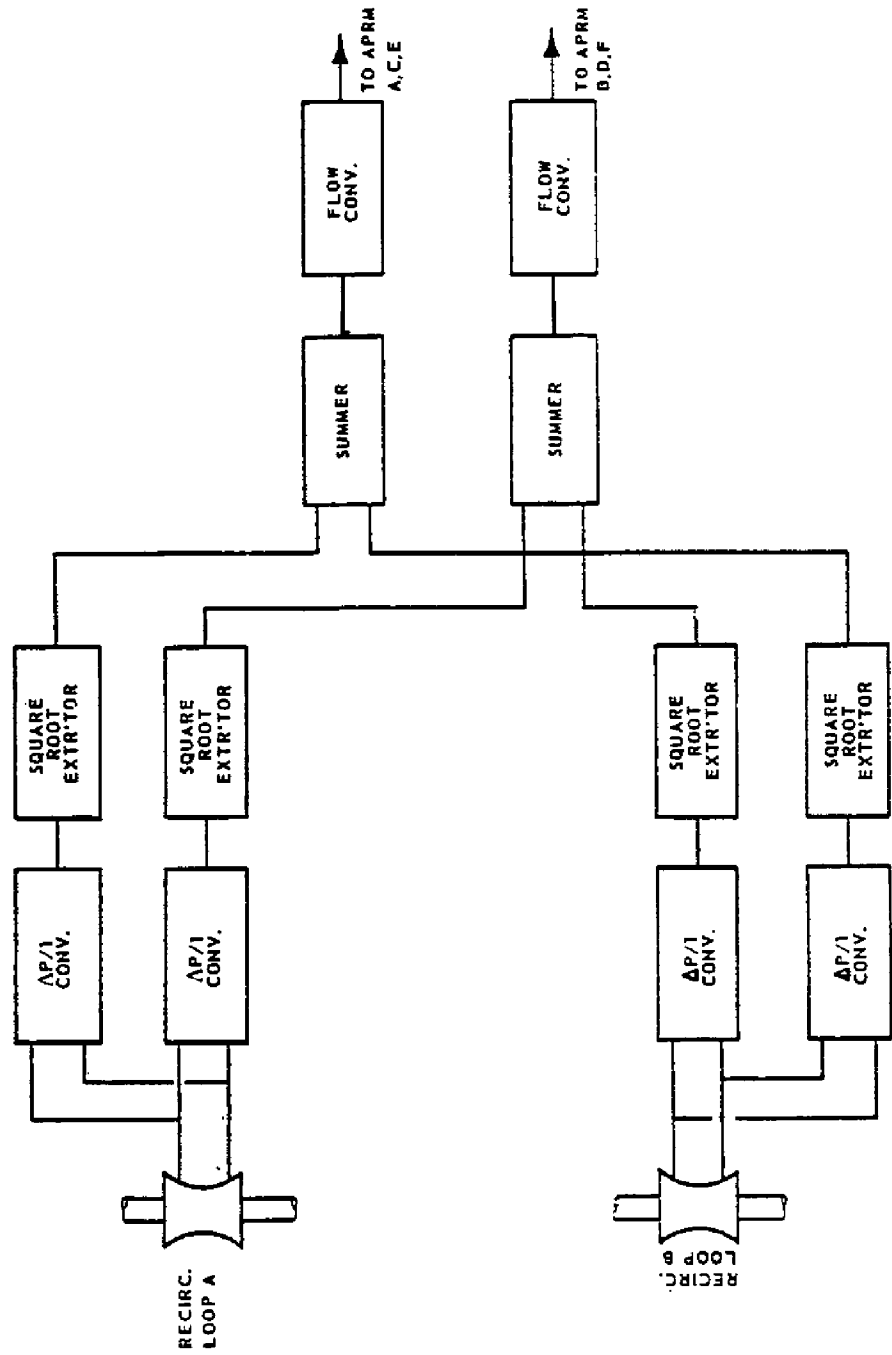
NOTE: ON UNITS 1, 2 AND 3 THE LPRM
METERS HAVE BEEN REPLACED BY
OPERATOR DISPLAY ASSEMBLIES AND
THE 4-RD. DISPLAY IS SHIFTED
DOWNWARD.

AMENDMENT 22

BROWNS FERRY NUCLEAR PLANT
FINAL SAFETY ANALYSIS REPORT

REACTOR CONTROL BOARD

FIGURE 7.7-2



THIS FIGURE IS APPLICABLE ONLY FOR UNIT 1

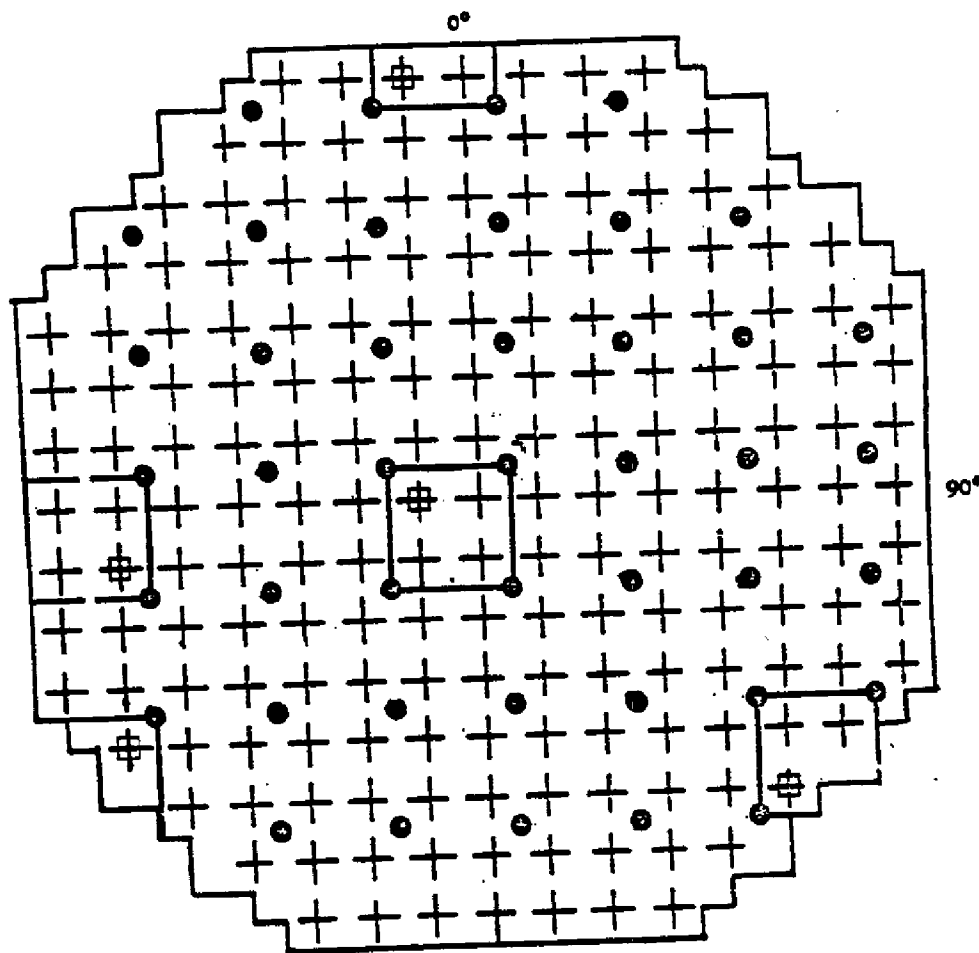
AMENDMENT 17

BROWNS FERRY NUCLEAR PLANT
FINAL SAFETY
ANALYSIS REPORT

**RBM Flow Variance Circuit
Schematic**

FIGURE 7.7-3

CORE TOP VIEW



- LPRM DETECTOR ARRAY
- SELECTED ROD

THE LPRM'S AND RODS WITHIN THE HEAVILY MARKED LINES
AROUND THE SELECTED ROD ARE THOSE PRESENTED ON
THE FOUR ROD DISPLAY

AMENDMENT 16

**BROWNS FERRY NUCLEAR PLANT
FINAL SAFETY
ANALYSIS REPORT**

**Input Signals to Four-Rod
Display
Figure 7.7-4**

BFN-18

Figure 7.7-5

(Deleted by Amendment 18)

BFN-16

Figure 7.7-6

Deleted by Amendment 16



BFN-22

Figures 7.7-6a and 7.7-6b
(Deleted by Amendment 22)

|