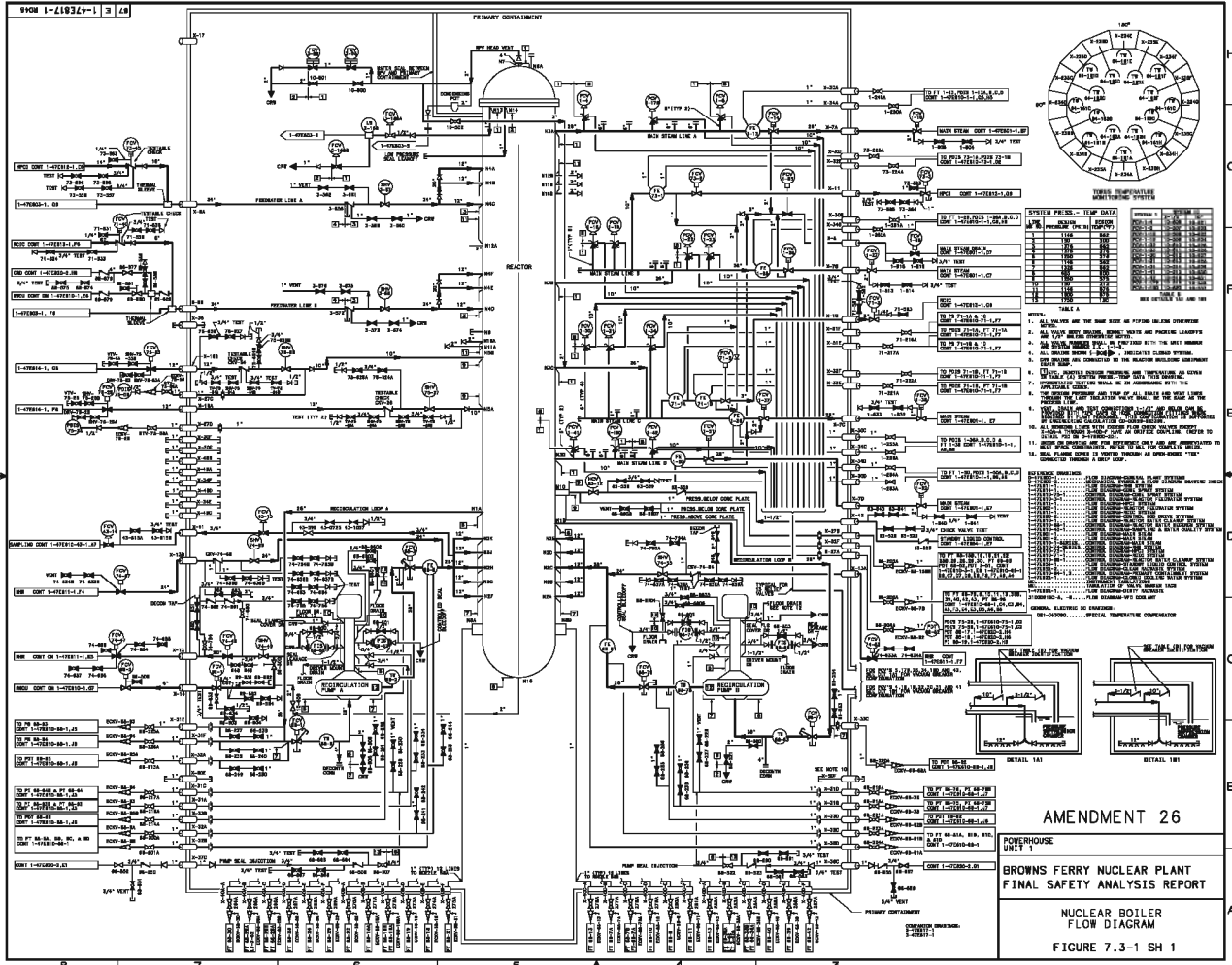
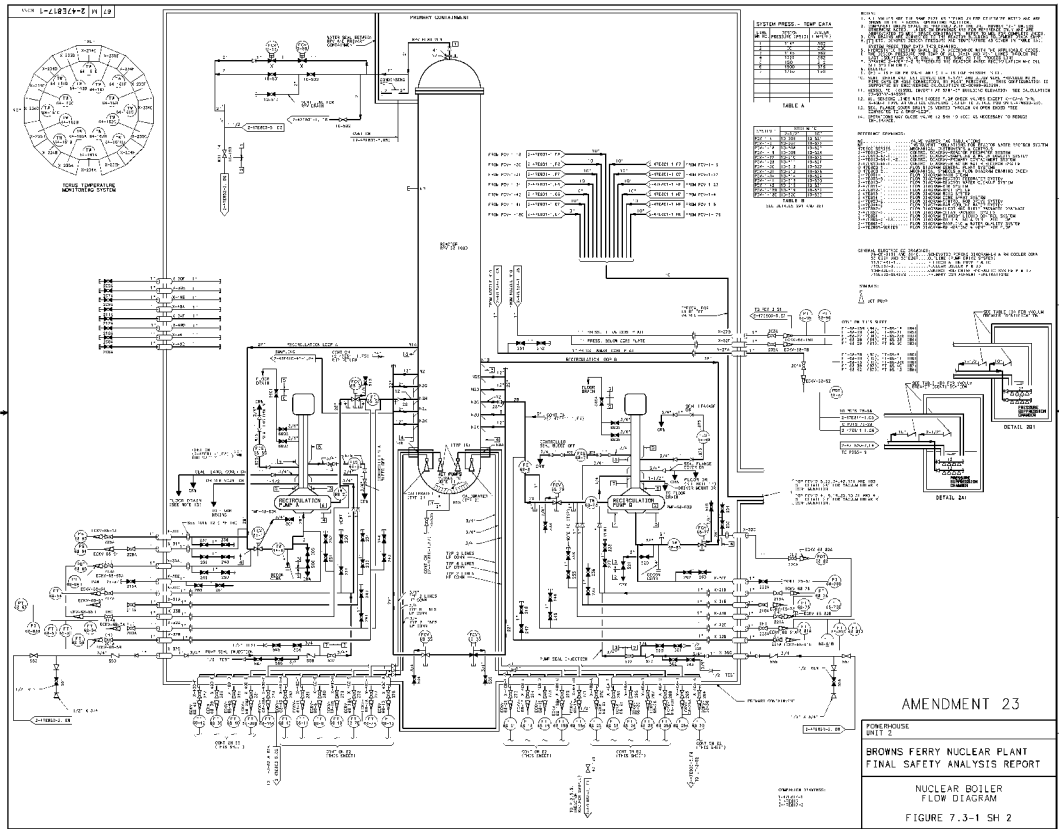


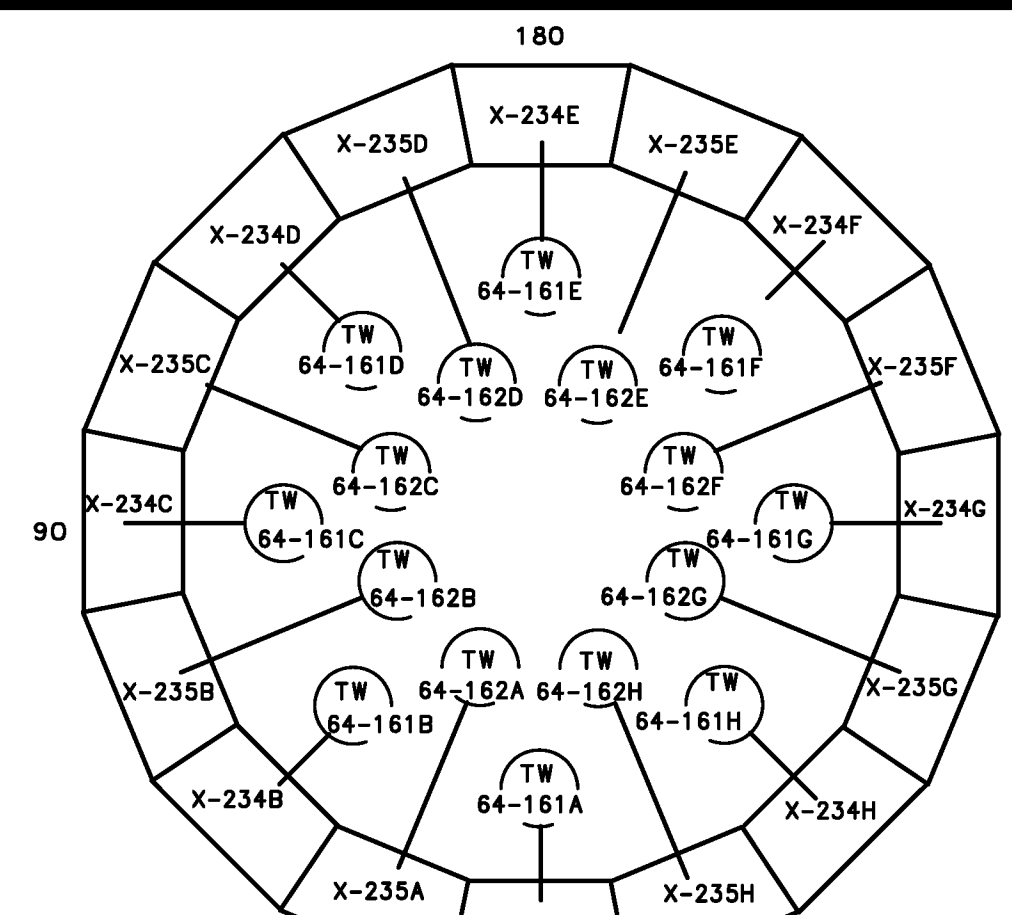
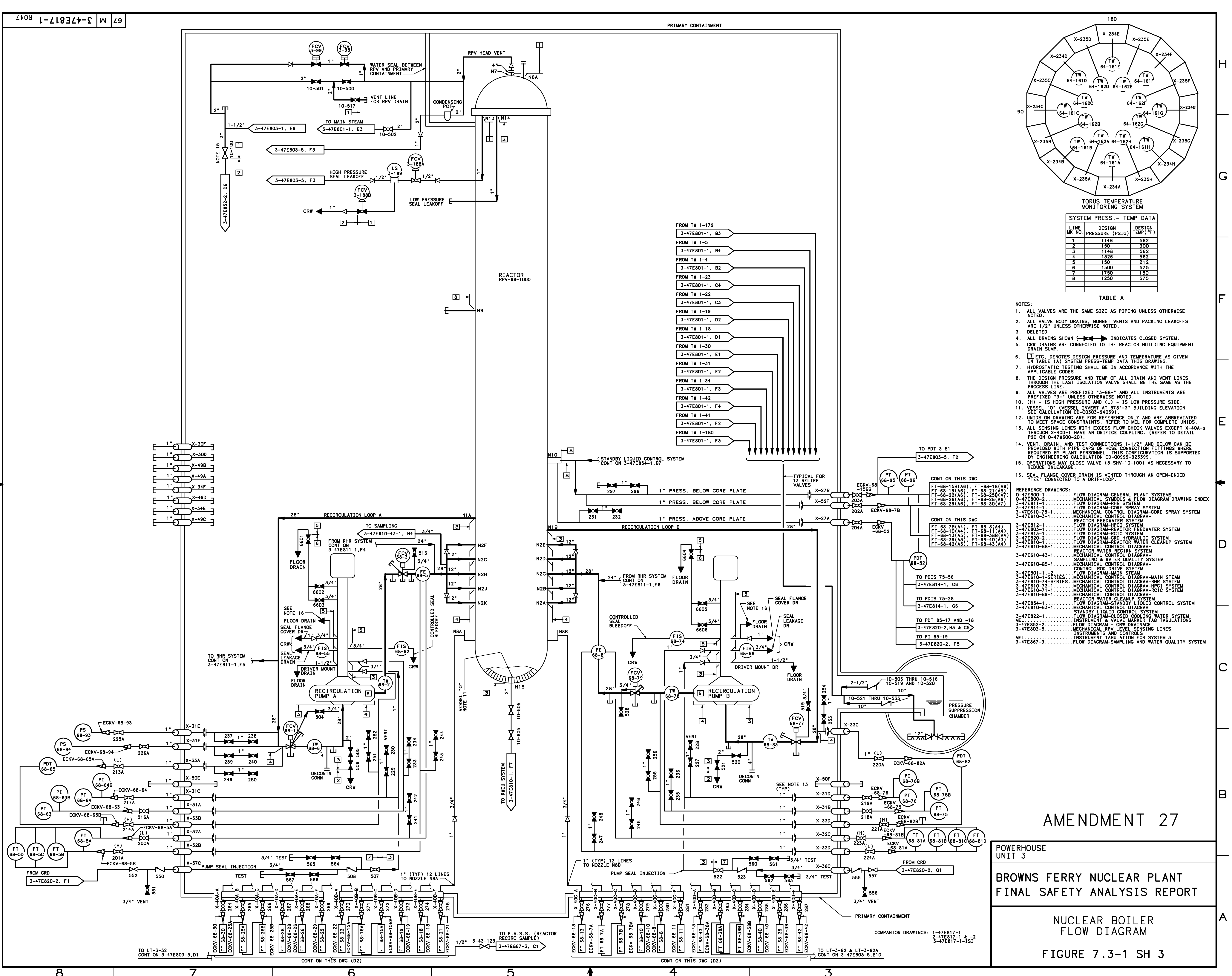
BFN-19

Figure 7.3-1

(Deleted by Amendment 17)







TORUS TEMPERATURE MONITORING SYSTEM

LINE MK NO.	DESIGN PRESSURE (PSIG)	DESIGN TEMP (°F)
1	1146	562
2	150	500
3	1148	562
4	1326	562
5	150	512
6	1500	575
7	1750	550
8	1250	575

- NOTES:
- ALL VALVES ARE THE SAME SIZE AS PIPING UNLESS OTHERWISE NOTED.
 - ALL VALVE BODY DRAINS, BONNET VENTS AND PACKING LEAKOFFS ARE 1/2" UNLESS OTHERWISE NOTED.
 - DELETED
 - ALL DRAINS SHOWN \rightarrow INDICATES CLOSED SYSTEM.
 - CRW DRAINS ARE CONNECTED TO THE REACTOR BUILDING EQUIPMENT DRAIN SUMP.
 - [ETC.] DENOTES DESIGN PRESSURE AND TEMPERATURE AS GIVEN IN TABLE (A) SYSTEM PRESS-TEMP DATA THIS DRAWING.
 - HYDROSTATIC TESTING SHALL BE IN ACCORDANCE WITH THE APPLICABLE CODES.
 - THE DESIGN PRESSURE AND TEMP OF ALL DRAIN AND VENT LINES THROUGH THE LAST ISOLATION VALVE SHALL BE THE SAME AS THE PROCESS LINE.
 - ALL VALVES ARE PREFIXED "3-68-" AND ALL INSTRUMENTS ARE PREFIXED "3-" UNLESS OTHERWISE NOTED.
 - (H) - IS HIGH PRESSURE AND (L) - IS LOW PRESSURE SIDE.
 - VESSELS "D" VESSELS INVERT AT 578'-3" BUILDING ELEVATION SEE CALCULATION CD-0303-840331.
 - UNITS ON DRAWING ARE FOR REFERENCE ONLY AND ARE ABBREVIATED TO MEET SPACE CONSTRAINTS. REFER TO MEL FOR COMPLETE UNITS.
 - ALL SENSING LINES WITH EXCESS FLOW CHECK VALVES EXCEPT X-404 THROUGH X-407 HAVE AN ORIFICE COUPLING. (REFER TO DETAIL P20 ON 0-47800-20).
 - VENT, DRAIN AND TEST CONNECTIONS 1-1/2" AND BELOW CAN BE PROVIDED WITH PIPE CAPS OR HOSE CONNECTION FITTINGS WHERE REQUIRED BY PLANT PERSONNEL. THIS CONFIGURATION IS SUPPORTED BY ENGINEERING CALCULATION CD-0389-923399.
 - OPERATIONS MAY CLOSE VALVE (3-SHV-10-100) AS NECESSARY TO REDUCE TIME-LAG.
 - SEAL FLANGE COVER DRAIN IS VENTED THROUGH AN OPEN-ENDED "TEE" CONNECTED TO A DRAIN-LOOP.

- REFERENCE DRAWINGS:
- 0-47801-1 FLOW DIAGRAM-GENERAL PLANT SYSTEMS
 - 0-47800-2 FLOW DIAGRAM-RHR SYSTEM
 - 3-47811-1 FLOW DIAGRAM-CORE SPRAY SYSTEM
 - 3-47810-1 MECHANICAL CONTROL DIAGRAM-CORE SPRAY SYSTEM
 - 3-47810-3 MECHANICAL CONTROL DIAGRAM-REACTOR FEEDWATER SYSTEM
 - 3-47810-4 MECHANICAL CONTROL DIAGRAM-REACTOR FEEDWATER SYSTEM
 - 3-47810-5 MECHANICAL CONTROL DIAGRAM-REACTOR FEEDWATER SYSTEM
 - 3-47810-6 MECHANICAL CONTROL DIAGRAM-REACTOR FEEDWATER SYSTEM
 - 3-47810-7 MECHANICAL CONTROL DIAGRAM-REACTOR FEEDWATER SYSTEM
 - 3-47810-8 MECHANICAL CONTROL DIAGRAM-REACTOR FEEDWATER SYSTEM
 - 3-47810-9 MECHANICAL CONTROL DIAGRAM-REACTOR FEEDWATER SYSTEM
 - 3-47810-10 MECHANICAL CONTROL DIAGRAM-REACTOR FEEDWATER SYSTEM
 - 3-47810-11 MECHANICAL CONTROL DIAGRAM-REACTOR FEEDWATER SYSTEM
 - 3-47810-12 MECHANICAL CONTROL DIAGRAM-REACTOR FEEDWATER SYSTEM
 - 3-47810-13 MECHANICAL CONTROL DIAGRAM-REACTOR FEEDWATER SYSTEM
 - 3-47810-14 MECHANICAL CONTROL DIAGRAM-REACTOR FEEDWATER SYSTEM
 - 3-47810-15 MECHANICAL CONTROL DIAGRAM-REACTOR FEEDWATER SYSTEM
 - 3-47810-16 MECHANICAL CONTROL DIAGRAM-REACTOR FEEDWATER SYSTEM
 - 3-47810-17 MECHANICAL CONTROL DIAGRAM-REACTOR FEEDWATER SYSTEM
 - 3-47810-18 MECHANICAL CONTROL DIAGRAM-REACTOR FEEDWATER SYSTEM
 - 3-47810-19 MECHANICAL CONTROL DIAGRAM-REACTOR FEEDWATER SYSTEM
 - 3-47810-20 MECHANICAL CONTROL DIAGRAM-REACTOR FEEDWATER SYSTEM
 - 3-47810-21 MECHANICAL CONTROL DIAGRAM-REACTOR FEEDWATER SYSTEM
 - 3-47810-22 MECHANICAL CONTROL DIAGRAM-REACTOR FEEDWATER SYSTEM
 - 3-47810-23 MECHANICAL CONTROL DIAGRAM-REACTOR FEEDWATER SYSTEM
 - 3-47810-24 MECHANICAL CONTROL DIAGRAM-REACTOR FEEDWATER SYSTEM
 - 3-47810-25 MECHANICAL CONTROL DIAGRAM-REACTOR FEEDWATER SYSTEM
 - 3-47810-26 MECHANICAL CONTROL DIAGRAM-REACTOR FEEDWATER SYSTEM
 - 3-47810-27 MECHANICAL CONTROL DIAGRAM-REACTOR FEEDWATER SYSTEM
 - 3-47810-28 MECHANICAL CONTROL DIAGRAM-REACTOR FEEDWATER SYSTEM
 - 3-47810-29 MECHANICAL CONTROL DIAGRAM-REACTOR FEEDWATER SYSTEM
 - 3-47810-30 MECHANICAL CONTROL DIAGRAM-REACTOR FEEDWATER SYSTEM
 - 3-47810-31 MECHANICAL CONTROL DIAGRAM-REACTOR FEEDWATER SYSTEM
 - 3-47810-32 MECHANICAL CONTROL DIAGRAM-REACTOR FEEDWATER SYSTEM
 - 3-47810-33 MECHANICAL CONTROL DIAGRAM-REACTOR FEEDWATER SYSTEM
 - 3-47810-34 MECHANICAL CONTROL DIAGRAM-REACTOR FEEDWATER SYSTEM
 - 3-47810-35 MECHANICAL CONTROL DIAGRAM-REACTOR FEEDWATER SYSTEM
 - 3-47810-36 MECHANICAL CONTROL DIAGRAM-REACTOR FEEDWATER SYSTEM
 - 3-47810-37 MECHANICAL CONTROL DIAGRAM-REACTOR FEEDWATER SYSTEM
 - 3-47810-38 MECHANICAL CONTROL DIAGRAM-REACTOR FEEDWATER SYSTEM
 - 3-47810-39 MECHANICAL CONTROL DIAGRAM-REACTOR FEEDWATER SYSTEM
 - 3-47810-40 MECHANICAL CONTROL DIAGRAM-REACTOR FEEDWATER SYSTEM
 - 3-47810-41 MECHANICAL CONTROL DIAGRAM-REACTOR FEEDWATER SYSTEM
 - 3-47810-42 MECHANICAL CONTROL DIAGRAM-REACTOR FEEDWATER SYSTEM
 - 3-47810-43 MECHANICAL CONTROL DIAGRAM-REACTOR FEEDWATER SYSTEM
 - 3-47810-44 MECHANICAL CONTROL DIAGRAM-REACTOR FEEDWATER SYSTEM
 - 3-47810-45 MECHANICAL CONTROL DIAGRAM-REACTOR FEEDWATER SYSTEM
 - 3-47810-46 MECHANICAL CONTROL DIAGRAM-REACTOR FEEDWATER SYSTEM
 - 3-47810-47 MECHANICAL CONTROL DIAGRAM-REACTOR FEEDWATER SYSTEM
 - 3-47810-48 MECHANICAL CONTROL DIAGRAM-REACTOR FEEDWATER SYSTEM
 - 3-47810-49 MECHANICAL CONTROL DIAGRAM-REACTOR FEEDWATER SYSTEM
 - 3-47810-50 MECHANICAL CONTROL DIAGRAM-REACTOR FEEDWATER SYSTEM
 - 3-47810-51 MECHANICAL CONTROL DIAGRAM-REACTOR FEEDWATER SYSTEM
 - 3-47810-52 MECHANICAL CONTROL DIAGRAM-REACTOR FEEDWATER SYSTEM
 - 3-47810-53 MECHANICAL CONTROL DIAGRAM-REACTOR FEEDWATER SYSTEM
 - 3-47810-54 MECHANICAL CONTROL DIAGRAM-REACTOR FEEDWATER SYSTEM
 - 3-47810-55 MECHANICAL CONTROL DIAGRAM-REACTOR FEEDWATER SYSTEM
 - 3-47810-56 MECHANICAL CONTROL DIAGRAM-REACTOR FEEDWATER SYSTEM
 - 3-47810-57 MECHANICAL CONTROL DIAGRAM-REACTOR FEEDWATER SYSTEM
 - 3-47810-58 MECHANICAL CONTROL DIAGRAM-REACTOR FEEDWATER SYSTEM
 - 3-47810-59 MECHANICAL CONTROL DIAGRAM-REACTOR FEEDWATER SYSTEM
 - 3-47810-60 MECHANICAL CONTROL DIAGRAM-REACTOR FEEDWATER SYSTEM
 - 3-47810-61 MECHANICAL CONTROL DIAGRAM-REACTOR FEEDWATER SYSTEM
 - 3-47810-62 MECHANICAL CONTROL DIAGRAM-REACTOR FEEDWATER SYSTEM
 - 3-47810-63 MECHANICAL CONTROL DIAGRAM-REACTOR FEEDWATER SYSTEM
 - 3-47810-64 MECHANICAL CONTROL DIAGRAM-REACTOR FEEDWATER SYSTEM
 - 3-47810-65 MECHANICAL CONTROL DIAGRAM-REACTOR FEEDWATER SYSTEM
 - 3-47810-66 MECHANICAL CONTROL DIAGRAM-REACTOR FEEDWATER SYSTEM
 - 3-47810-67 MECHANICAL CONTROL DIAGRAM-REACTOR FEEDWATER SYSTEM
 - 3-47810-68 MECHANICAL CONTROL DIAGRAM-REACTOR FEEDWATER SYSTEM
 - 3-47810-69 MECHANICAL CONTROL DIAGRAM-REACTOR FEEDWATER SYSTEM
 - 3-47810-70 MECHANICAL CONTROL DIAGRAM-REACTOR FEEDWATER SYSTEM
 - 3-47810-71 MECHANICAL CONTROL DIAGRAM-REACTOR FEEDWATER SYSTEM
 - 3-47810-72 MECHANICAL CONTROL DIAGRAM-REACTOR FEEDWATER SYSTEM
 - 3-47810-73 MECHANICAL CONTROL DIAGRAM-REACTOR FEEDWATER SYSTEM
 - 3-47810-74 MECHANICAL CONTROL DIAGRAM-REACTOR FEEDWATER SYSTEM
 - 3-47810-75 MECHANICAL CONTROL DIAGRAM-REACTOR FEEDWATER SYSTEM
 - 3-47810-76 MECHANICAL CONTROL DIAGRAM-REACTOR FEEDWATER SYSTEM
 - 3-47810-77 MECHANICAL CONTROL DIAGRAM-REACTOR FEEDWATER SYSTEM
 - 3-47810-78 MECHANICAL CONTROL DIAGRAM-REACTOR FEEDWATER SYSTEM
 - 3-47810-79 MECHANICAL CONTROL DIAGRAM-REACTOR FEEDWATER SYSTEM
 - 3-47810-80 MECHANICAL CONTROL DIAGRAM-REACTOR FEEDWATER SYSTEM
 - 3-47810-81 MECHANICAL CONTROL DIAGRAM-REACTOR FEEDWATER SYSTEM
 - 3-47810-82 MECHANICAL CONTROL DIAGRAM-REACTOR FEEDWATER SYSTEM
 - 3-47810-83 MECHANICAL CONTROL DIAGRAM-REACTOR FEEDWATER SYSTEM
 - 3-47810-84 MECHANICAL CONTROL DIAGRAM-REACTOR FEEDWATER SYSTEM
 - 3-47810-85 MECHANICAL CONTROL DIAGRAM-REACTOR FEEDWATER SYSTEM
 - 3-47810-86 MECHANICAL CONTROL DIAGRAM-REACTOR FEEDWATER SYSTEM
 - 3-47810-87 MECHANICAL CONTROL DIAGRAM-REACTOR FEEDWATER SYSTEM
 - 3-47810-88 MECHANICAL CONTROL DIAGRAM-REACTOR FEEDWATER SYSTEM
 - 3-47810-89 MECHANICAL CONTROL DIAGRAM-REACTOR FEEDWATER SYSTEM
 - 3-47810-90 MECHANICAL CONTROL DIAGRAM-REACTOR FEEDWATER SYSTEM
 - 3-47810-91 MECHANICAL CONTROL DIAGRAM-REACTOR FEEDWATER SYSTEM
 - 3-47810-92 MECHANICAL CONTROL DIAGRAM-REACTOR FEEDWATER SYSTEM
 - 3-47810-93 MECHANICAL CONTROL DIAGRAM-REACTOR FEEDWATER SYSTEM
 - 3-47810-94 MECHANICAL CONTROL DIAGRAM-REACTOR FEEDWATER SYSTEM
 - 3-47810-95 MECHANICAL CONTROL DIAGRAM-REACTOR FEEDWATER SYSTEM
 - 3-47810-96 MECHANICAL CONTROL DIAGRAM-REACTOR FEEDWATER SYSTEM
 - 3-47810-97 MECHANICAL CONTROL DIAGRAM-REACTOR FEEDWATER SYSTEM
 - 3-47810-98 MECHANICAL CONTROL DIAGRAM-REACTOR FEEDWATER SYSTEM
 - 3-47810-99 MECHANICAL CONTROL DIAGRAM-REACTOR FEEDWATER SYSTEM
 - 3-47810-100 MECHANICAL CONTROL DIAGRAM-REACTOR FEEDWATER SYSTEM

AMENDMENT 27

POWERHOUSE UNIT 3
 BROWNS FERRY NUCLEAR PLANT
 FINAL SAFETY ANALYSIS REPORT
 NUCLEAR BOILER
 FLOW DIAGRAM
 FIGURE 7.3-1 SH 3

67 M 3-47E817-1 R047

8 7 6 5 4 3

BFN-22

Figure 7.3-2a through 7.3-2l

(Deleted by Amendment 22)