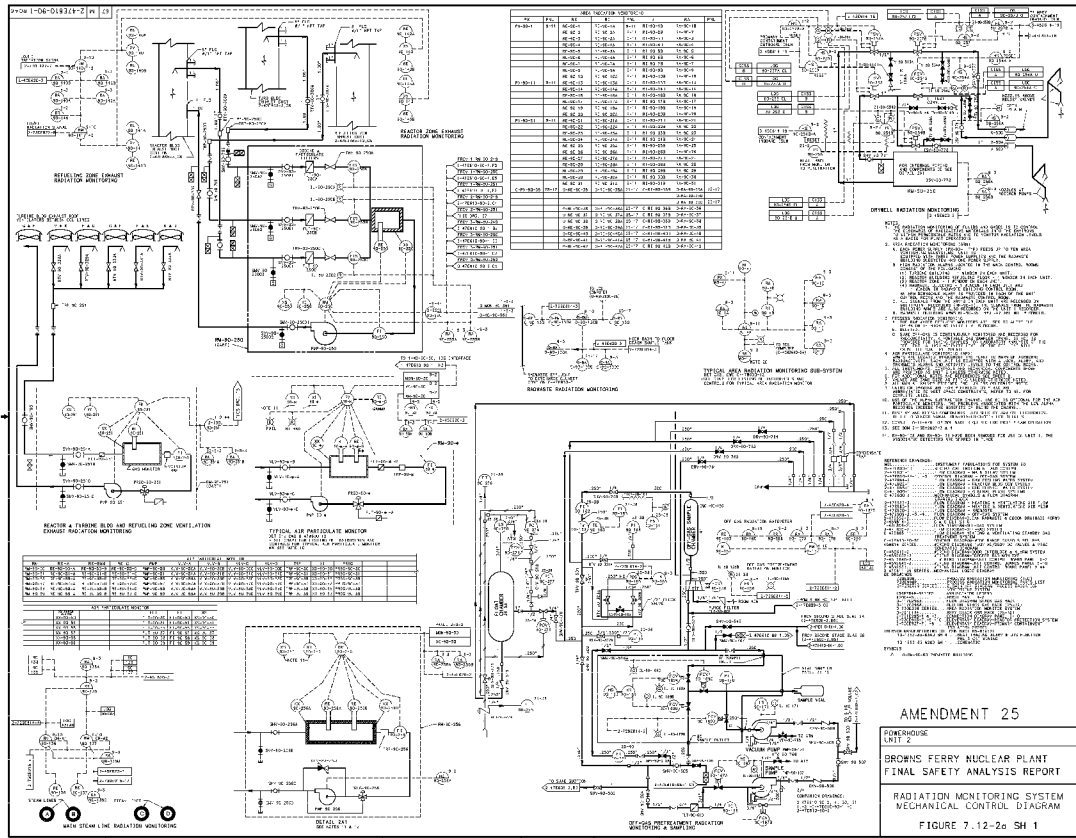


BFN-16

Figure 7.12-1

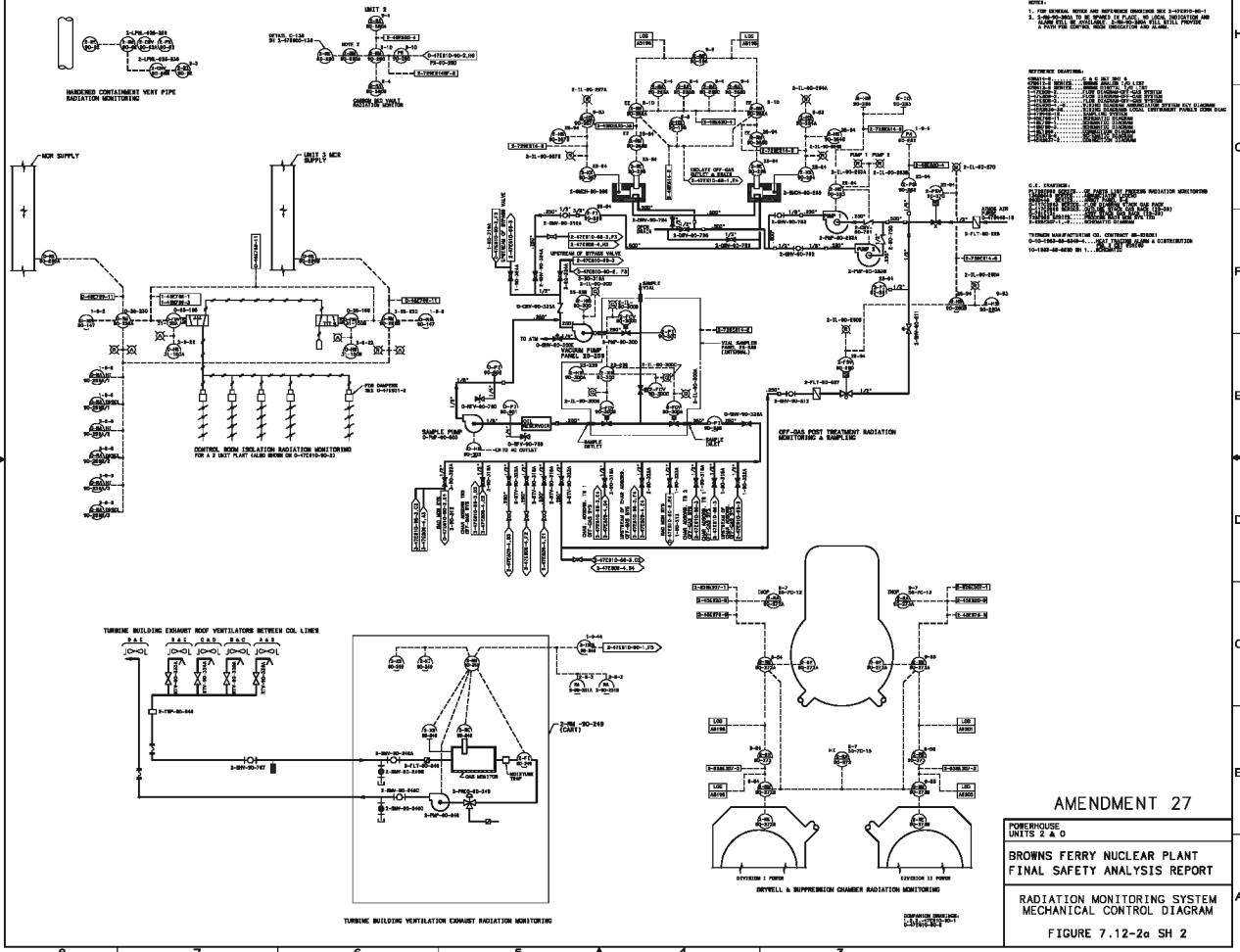
Deleted by Amendment 7.



AMENDMENT 25

POWERHOUSE
 UNIT 2
 BROWNS FERRY NUCLEAR PLANT
 FINAL SAFETY ANALYSIS REPORT
 RADIATION MONITORING SYSTEM
 MECHANICAL CONTROL DIAGRAM
 FIGURE 7.12-2a SH 1

SEOU 2-06-01934-2 P 19



NOTES:

1. FOR GENERAL NOTES AND REFERENCES CONSULT SEE 3-THEIO-00-1
2. THIS DRAWING IS TO BE USED IN PLACE OF THE PREVIOUS EDITIONS AND SHALL BE CONTROLLED BY THE PROJECT OFFICE.

REFERENCE DRAWING:

3-THEIO-00-1
3-THEIO-00-2
3-THEIO-00-3
3-THEIO-00-4
3-THEIO-00-5
3-THEIO-00-6
3-THEIO-00-7
3-THEIO-00-8
3-THEIO-00-9
3-THEIO-00-10
3-THEIO-00-11
3-THEIO-00-12
3-THEIO-00-13
3-THEIO-00-14
3-THEIO-00-15
3-THEIO-00-16
3-THEIO-00-17
3-THEIO-00-18
3-THEIO-00-19
3-THEIO-00-20
3-THEIO-00-21
3-THEIO-00-22
3-THEIO-00-23
3-THEIO-00-24
3-THEIO-00-25
3-THEIO-00-26
3-THEIO-00-27
3-THEIO-00-28
3-THEIO-00-29
3-THEIO-00-30
3-THEIO-00-31
3-THEIO-00-32
3-THEIO-00-33
3-THEIO-00-34
3-THEIO-00-35
3-THEIO-00-36
3-THEIO-00-37
3-THEIO-00-38
3-THEIO-00-39
3-THEIO-00-40
3-THEIO-00-41
3-THEIO-00-42
3-THEIO-00-43
3-THEIO-00-44
3-THEIO-00-45
3-THEIO-00-46
3-THEIO-00-47
3-THEIO-00-48
3-THEIO-00-49
3-THEIO-00-50
3-THEIO-00-51
3-THEIO-00-52
3-THEIO-00-53
3-THEIO-00-54
3-THEIO-00-55
3-THEIO-00-56
3-THEIO-00-57
3-THEIO-00-58
3-THEIO-00-59
3-THEIO-00-60
3-THEIO-00-61
3-THEIO-00-62
3-THEIO-00-63
3-THEIO-00-64
3-THEIO-00-65
3-THEIO-00-66
3-THEIO-00-67
3-THEIO-00-68
3-THEIO-00-69
3-THEIO-00-70
3-THEIO-00-71
3-THEIO-00-72
3-THEIO-00-73
3-THEIO-00-74
3-THEIO-00-75
3-THEIO-00-76
3-THEIO-00-77
3-THEIO-00-78
3-THEIO-00-79
3-THEIO-00-80
3-THEIO-00-81
3-THEIO-00-82
3-THEIO-00-83
3-THEIO-00-84
3-THEIO-00-85
3-THEIO-00-86
3-THEIO-00-87
3-THEIO-00-88
3-THEIO-00-89
3-THEIO-00-90
3-THEIO-00-91
3-THEIO-00-92
3-THEIO-00-93
3-THEIO-00-94
3-THEIO-00-95
3-THEIO-00-96
3-THEIO-00-97
3-THEIO-00-98
3-THEIO-00-99
3-THEIO-00-100

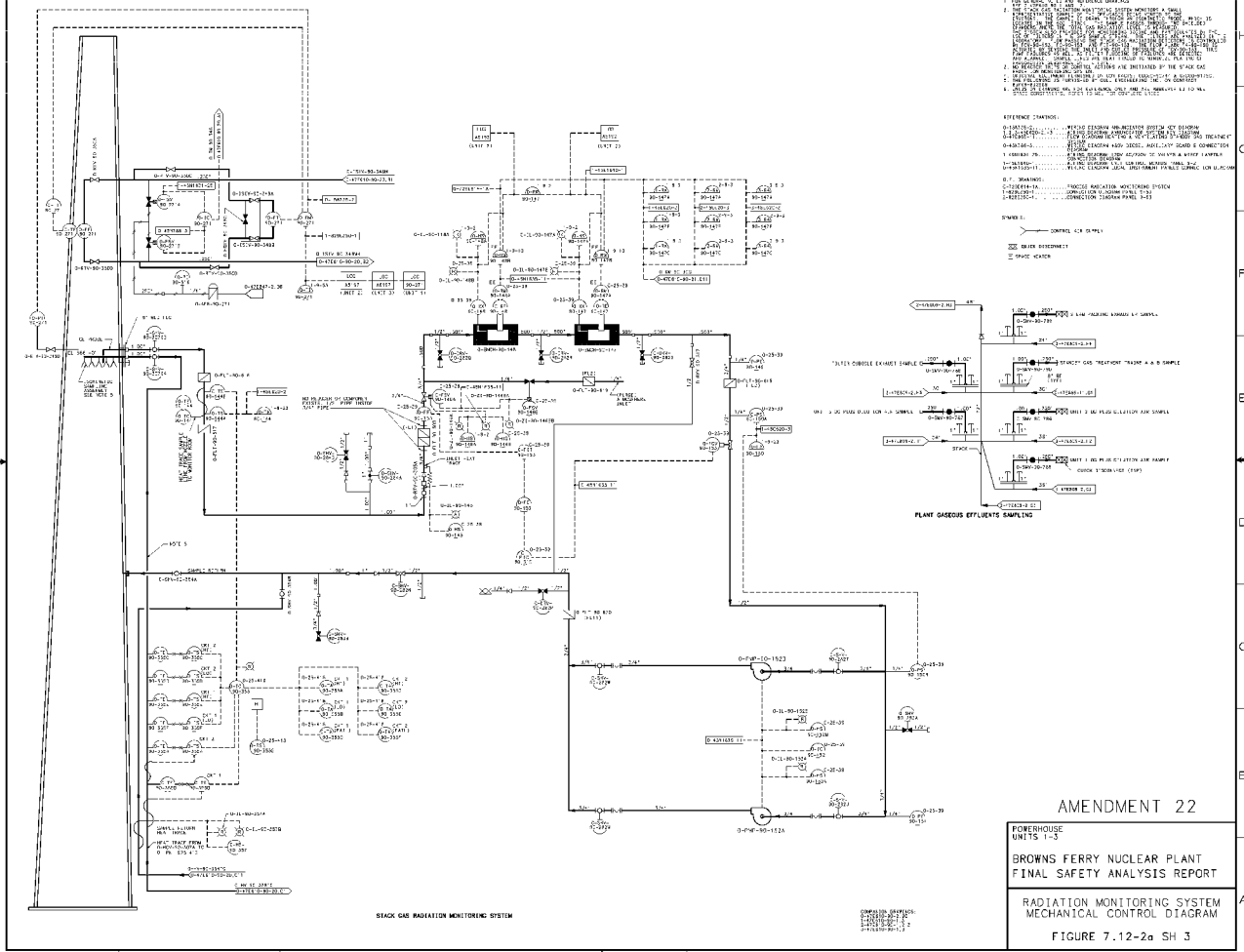
AMENDMENT 27

POWERHOUSE UNITS 2 & D

BROWNS FERRY NUCLEAR PLANT
FINAL SAFETY ANALYSIS REPORT

RADIATION MONITORING SYSTEM
MECHANICAL CONTROL DIAGRAM

FIGURE 7.12-2a SH 2



NOTES:

1. THIS SYSTEM IS A PART OF THE RADIATION MONITORING SYSTEM.
2. THE SYSTEM IS DESIGNED TO MONITOR THE RADIATION LEVELS IN THE STACK GAS.
3. THE SYSTEM IS DESIGNED TO MONITOR THE RADIATION LEVELS IN THE STACK GAS.
4. THE SYSTEM IS DESIGNED TO MONITOR THE RADIATION LEVELS IN THE STACK GAS.

REFERENCE SYMBOLS:

- 0-11A: RADIATION MONITORING SYSTEM
- 0-11B: RADIATION MONITORING SYSTEM
- 0-11C: RADIATION MONITORING SYSTEM
- 0-11D: RADIATION MONITORING SYSTEM
- 0-11E: RADIATION MONITORING SYSTEM
- 0-11F: RADIATION MONITORING SYSTEM
- 0-11G: RADIATION MONITORING SYSTEM
- 0-11H: RADIATION MONITORING SYSTEM
- 0-11I: RADIATION MONITORING SYSTEM
- 0-11J: RADIATION MONITORING SYSTEM
- 0-11K: RADIATION MONITORING SYSTEM
- 0-11L: RADIATION MONITORING SYSTEM
- 0-11M: RADIATION MONITORING SYSTEM
- 0-11N: RADIATION MONITORING SYSTEM
- 0-11O: RADIATION MONITORING SYSTEM
- 0-11P: RADIATION MONITORING SYSTEM
- 0-11Q: RADIATION MONITORING SYSTEM
- 0-11R: RADIATION MONITORING SYSTEM
- 0-11S: RADIATION MONITORING SYSTEM
- 0-11T: RADIATION MONITORING SYSTEM
- 0-11U: RADIATION MONITORING SYSTEM
- 0-11V: RADIATION MONITORING SYSTEM
- 0-11W: RADIATION MONITORING SYSTEM
- 0-11X: RADIATION MONITORING SYSTEM
- 0-11Y: RADIATION MONITORING SYSTEM
- 0-11Z: RADIATION MONITORING SYSTEM

PLANT GASEOUS EFFLUENTS SAMPLING

0-11A: RADIATION MONITORING SYSTEM

0-11B: RADIATION MONITORING SYSTEM

0-11C: RADIATION MONITORING SYSTEM

0-11D: RADIATION MONITORING SYSTEM

0-11E: RADIATION MONITORING SYSTEM

0-11F: RADIATION MONITORING SYSTEM

0-11G: RADIATION MONITORING SYSTEM

0-11H: RADIATION MONITORING SYSTEM

0-11I: RADIATION MONITORING SYSTEM

0-11J: RADIATION MONITORING SYSTEM

0-11K: RADIATION MONITORING SYSTEM

0-11L: RADIATION MONITORING SYSTEM

0-11M: RADIATION MONITORING SYSTEM

0-11N: RADIATION MONITORING SYSTEM

0-11O: RADIATION MONITORING SYSTEM

0-11P: RADIATION MONITORING SYSTEM

0-11Q: RADIATION MONITORING SYSTEM

0-11R: RADIATION MONITORING SYSTEM

0-11S: RADIATION MONITORING SYSTEM

0-11T: RADIATION MONITORING SYSTEM

0-11U: RADIATION MONITORING SYSTEM

0-11V: RADIATION MONITORING SYSTEM

0-11W: RADIATION MONITORING SYSTEM

0-11X: RADIATION MONITORING SYSTEM

0-11Y: RADIATION MONITORING SYSTEM

0-11Z: RADIATION MONITORING SYSTEM

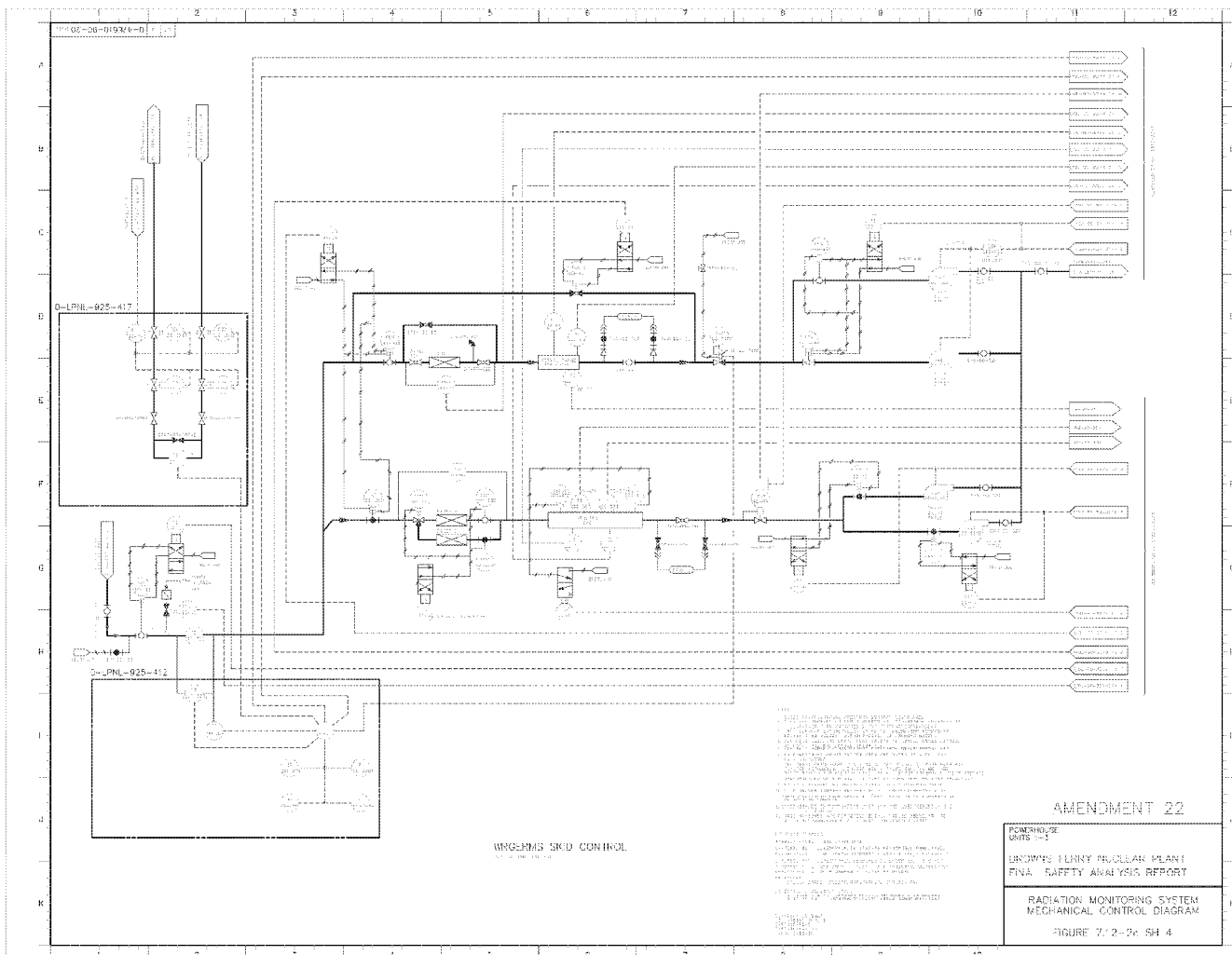
AMENDMENT 22

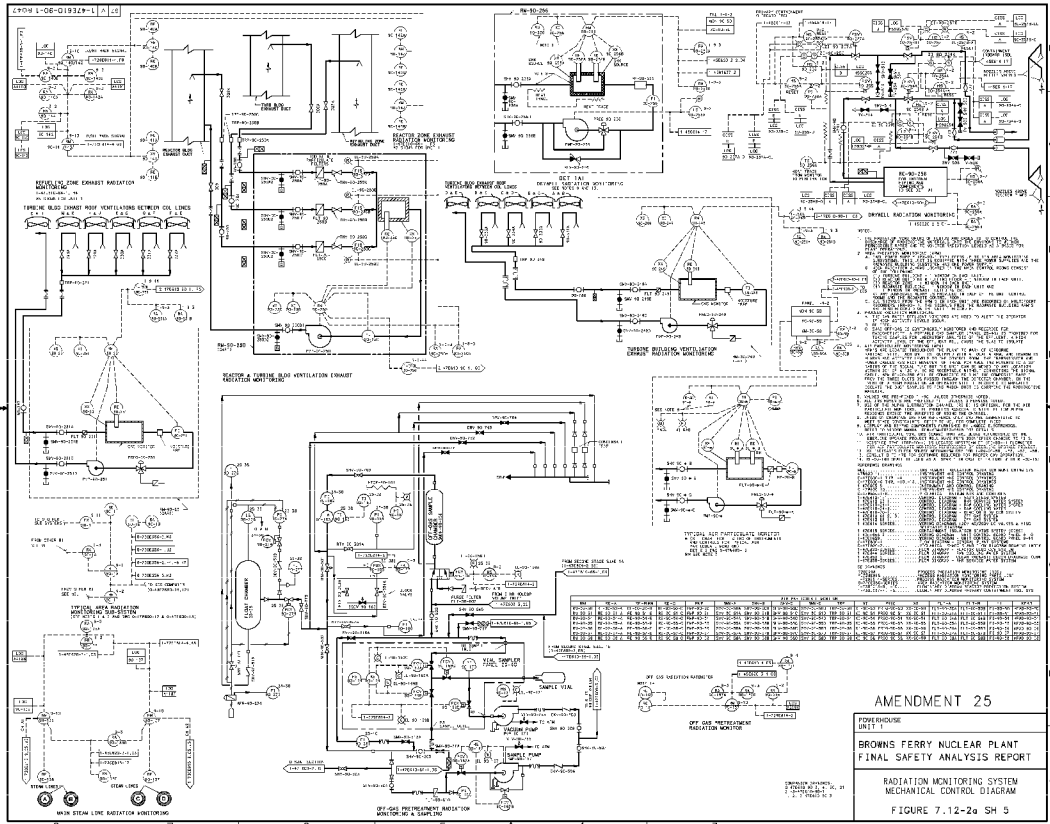
POWERHOUSE UNITS 1-5

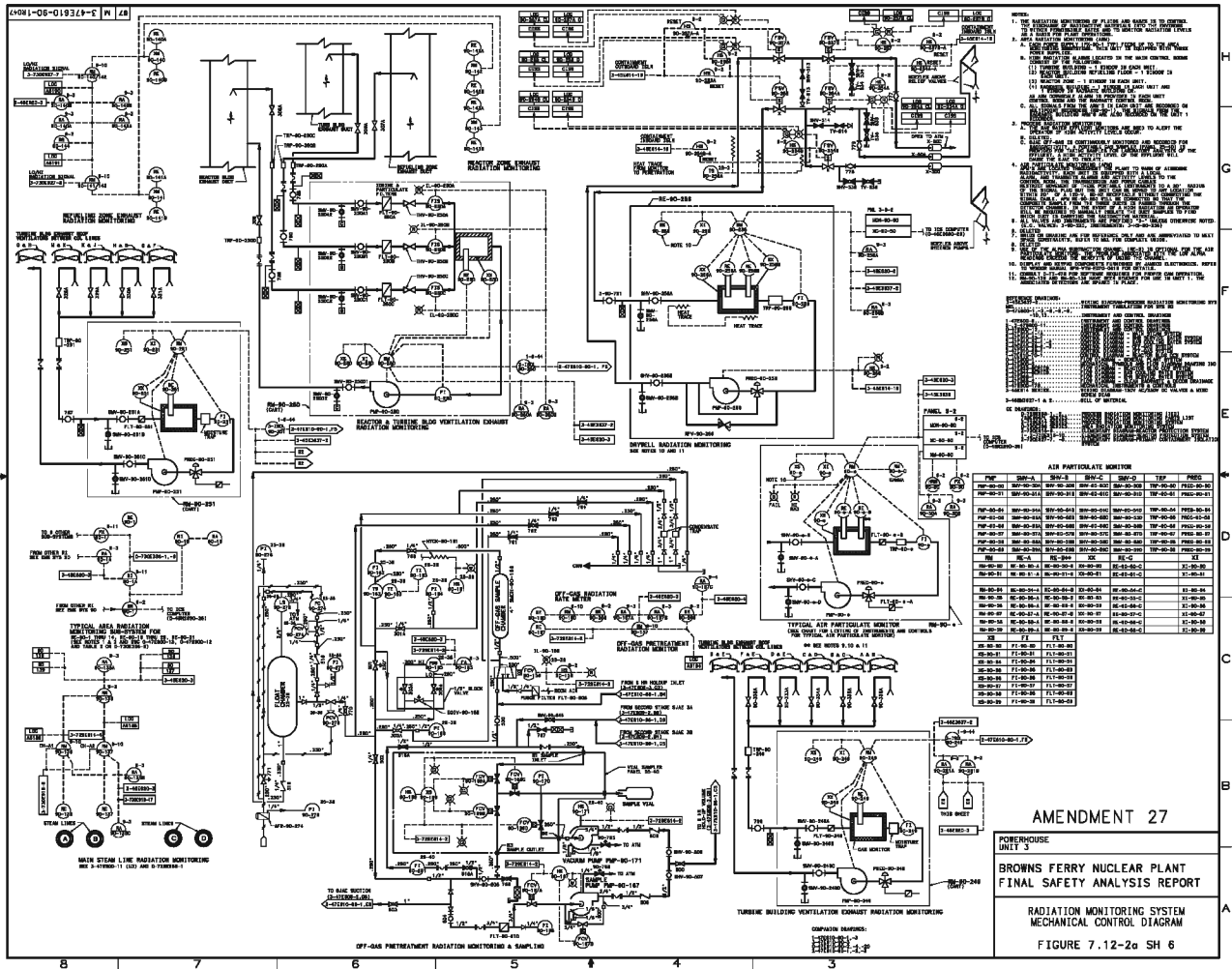
BROWNS FERRY NUCLEAR PLANT FINAL SAFETY ANALYSIS REPORT

RADIATION MONITORING SYSTEM MECHANICAL CONTROL DIAGRAM

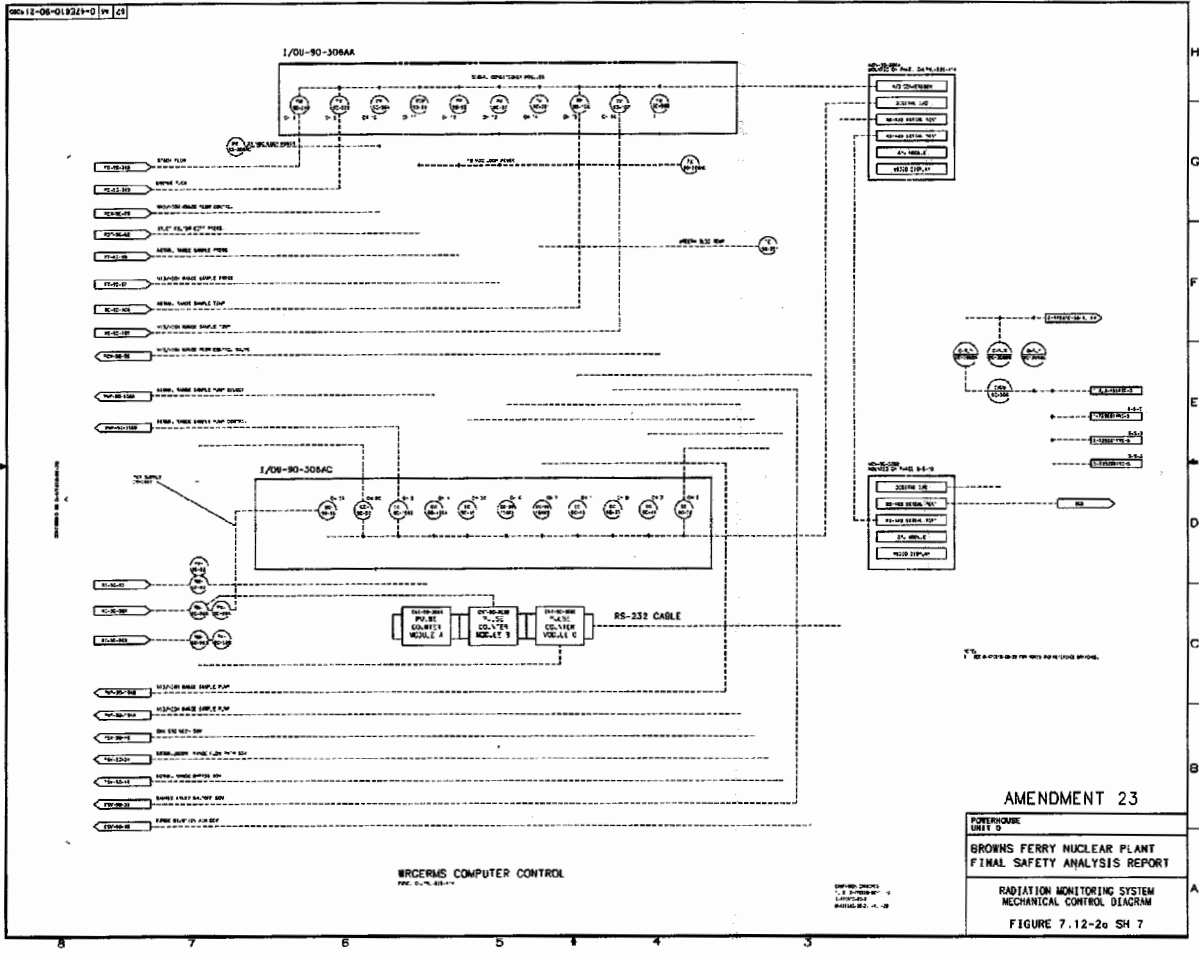
FIGURE 7.12-2a SH 3







00012-08-019221-0 [W 21]



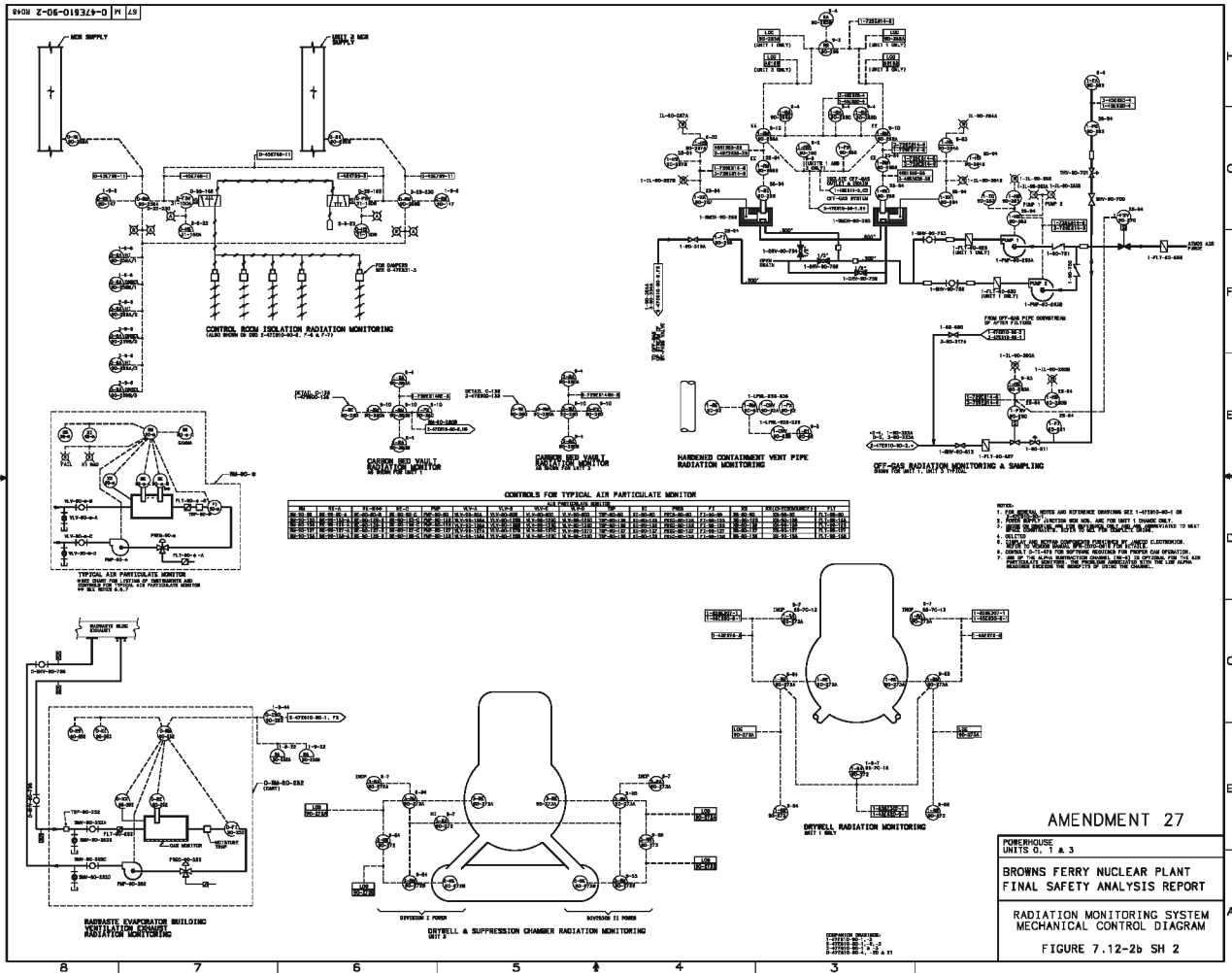
AMENDMENT 23

PAPERHOUSE
 SHEET 8
 BROWNS FERRY NUCLEAR PLANT
 FINAL SAFETY ANALYSIS REPORT
 RADIATION MONITORING SYSTEM
 MECHANICAL CONTROL DIAGRAM
 FIGURE 7.12-2a SH 7

BFN-19

Figure 7.12-2b Sheet 1

(Deleted by Amendment 17)

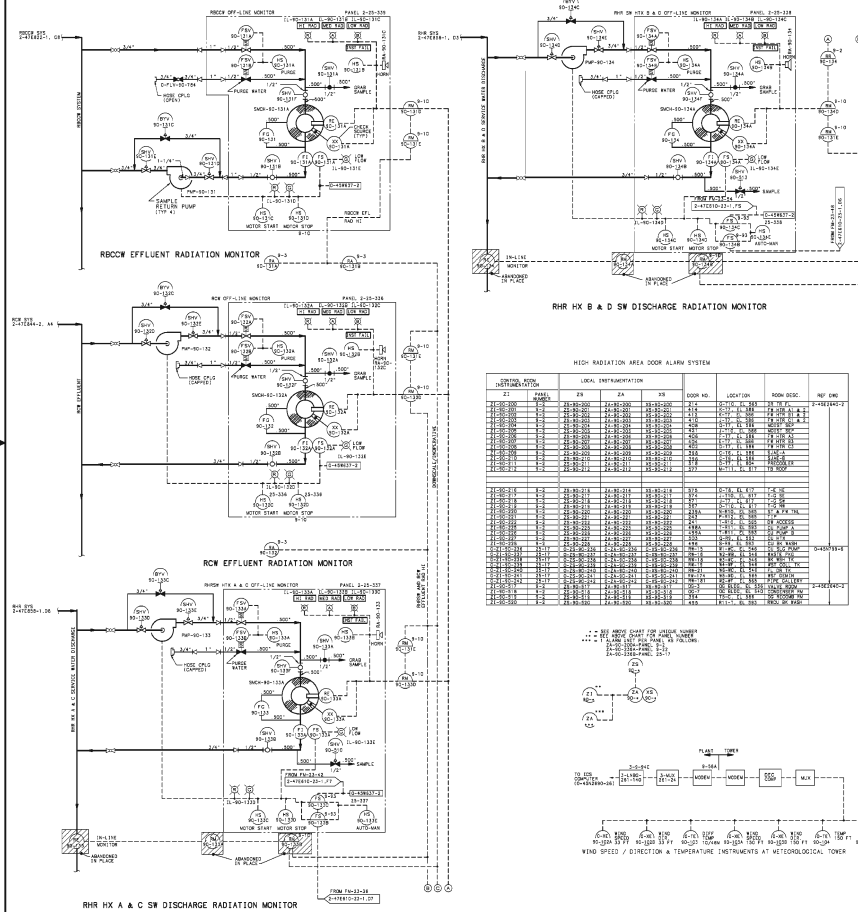


BFN-19

Figure 7.12-2b Sheet 3

(Deleted by Amendment 17)

1109 5-06-0193 (2) VI 49



NOTE: FOR GENERAL NOTES AND REFERENCES (UNLESS NOTED OTHERWISE) SEE 2-017010-001.
 1. ALL INSTRUMENTS ARE PREFIXED WITH A UNIT 2 DESIGNATION UNLESS OTHERWISE NOTED IN 2-017010-001.
 2. UNLESS OTHERWISE NOTED, ALL INSTRUMENTS ARE PREFIXED WITH A UNIT 2 DESIGNATION UNLESS OTHERWISE NOTED IN 2-017010-001.

REFERENCE DRAWING:
 1-017010-001: RADIATION MONITORING SYSTEM
 1-017010-002: RADIATION MONITORING SYSTEM
 1-017010-003: RADIATION MONITORING SYSTEM
 1-017010-004: RADIATION MONITORING SYSTEM
 1-017010-005: RADIATION MONITORING SYSTEM
 1-017010-006: RADIATION MONITORING SYSTEM
 1-017010-007: RADIATION MONITORING SYSTEM
 1-017010-008: RADIATION MONITORING SYSTEM
 1-017010-009: RADIATION MONITORING SYSTEM
 1-017010-010: RADIATION MONITORING SYSTEM

HIGH RADIATION AREA DOOR ALARM SYSTEM

UNIT	INSTRUMENT	DOOR NO.	LOCATION	ROOM NO.	REF. END
21	RA-101	101	101	101	101
21	RA-102	102	102	102	102
21	RA-103	103	103	103	103
21	RA-104	104	104	104	104
21	RA-105	105	105	105	105
21	RA-106	106	106	106	106
21	RA-107	107	107	107	107
21	RA-108	108	108	108	108
21	RA-109	109	109	109	109
21	RA-110	110	110	110	110
21	RA-111	111	111	111	111
21	RA-112	112	112	112	112
21	RA-113	113	113	113	113
21	RA-114	114	114	114	114
21	RA-115	115	115	115	115
21	RA-116	116	116	116	116
21	RA-117	117	117	117	117
21	RA-118	118	118	118	118
21	RA-119	119	119	119	119
21	RA-120	120	120	120	120
21	RA-121	121	121	121	121
21	RA-122	122	122	122	122
21	RA-123	123	123	123	123
21	RA-124	124	124	124	124
21	RA-125	125	125	125	125
21	RA-126	126	126	126	126
21	RA-127	127	127	127	127
21	RA-128	128	128	128	128
21	RA-129	129	129	129	129
21	RA-130	130	130	130	130
21	RA-131	131	131	131	131
21	RA-132	132	132	132	132
21	RA-133	133	133	133	133
21	RA-134	134	134	134	134
21	RA-135	135	135	135	135
21	RA-136	136	136	136	136
21	RA-137	137	137	137	137
21	RA-138	138	138	138	138
21	RA-139	139	139	139	139
21	RA-140	140	140	140	140
21	RA-141	141	141	141	141
21	RA-142	142	142	142	142
21	RA-143	143	143	143	143
21	RA-144	144	144	144	144
21	RA-145	145	145	145	145
21	RA-146	146	146	146	146
21	RA-147	147	147	147	147
21	RA-148	148	148	148	148
21	RA-149	149	149	149	149
21	RA-150	150	150	150	150

AMENDMENT 23

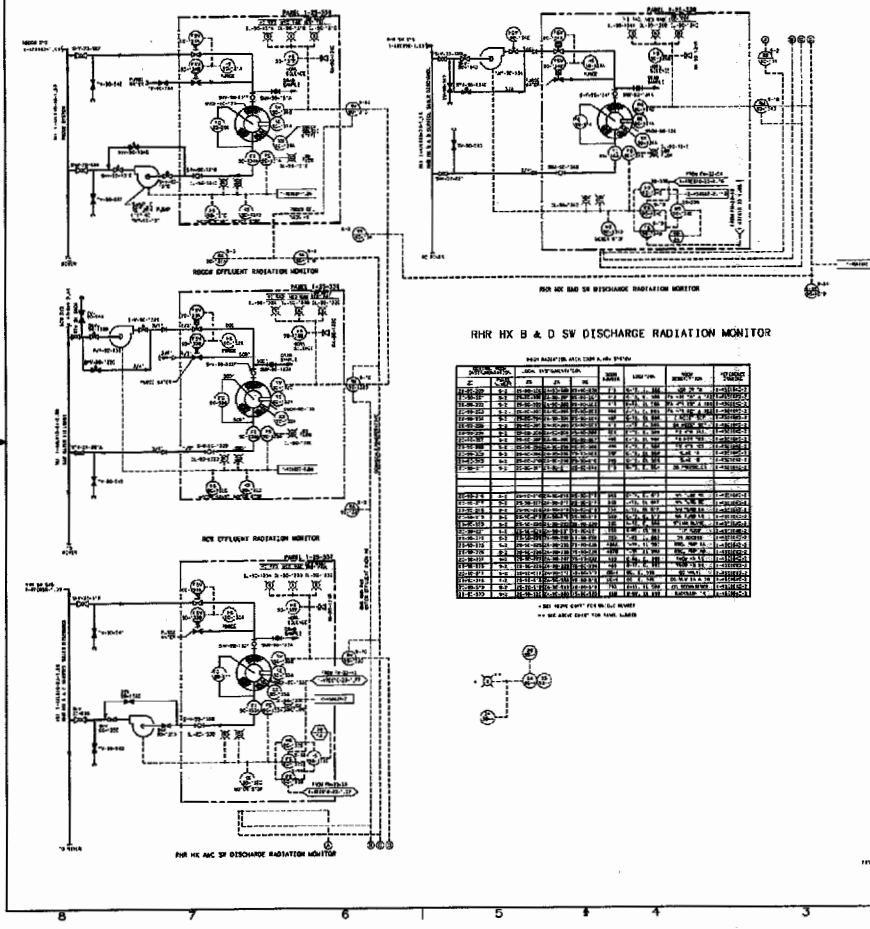
POWERHOUSE
 UNITS 2 & D

BROWNS FERRY NUCLEAR PLANT
 FINAL SAFETY ANALYSIS REPORT

RADIATION MONITORING SYSTEM
 MECHANICAL CONTROL DIAGRAM

FIGURE 7.12-2b SH 4

2200 C-00-01020-1



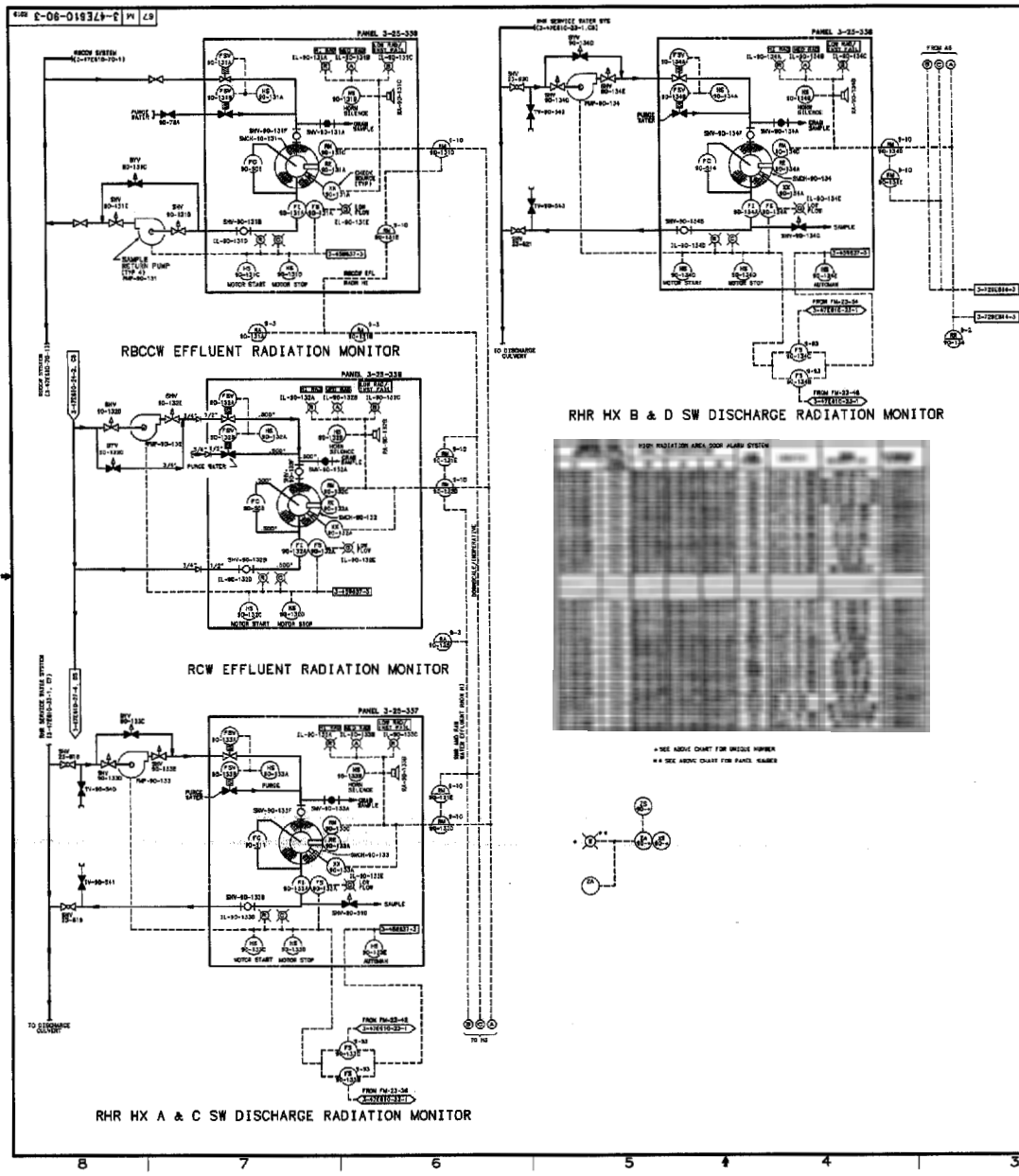
RHR NX B & D SW DISCHARGE RADIATION MONITOR

REVISIONS

NO.	DATE	BY	CHKD.	REVISION
1	11/15/67	J. J.
2	11/15/67	J. J.
3	11/15/67	J. J.
4	11/15/67	J. J.
5	11/15/67	J. J.
6	11/15/67	J. J.
7	11/15/67	J. J.
8	11/15/67	J. J.
9	11/15/67	J. J.
10	11/15/67	J. J.
11	11/15/67	J. J.
12	11/15/67	J. J.
13	11/15/67	J. J.
14	11/15/67	J. J.
15	11/15/67	J. J.
16	11/15/67	J. J.
17	11/15/67	J. J.
18	11/15/67	J. J.
19	11/15/67	J. J.
20	11/15/67	J. J.
21	11/15/67	J. J.
22	11/15/67	J. J.
23	11/15/67	J. J.
24	11/15/67	J. J.
25	11/15/67	J. J.
26	11/15/67	J. J.
27	11/15/67	J. J.
28	11/15/67	J. J.
29	11/15/67	J. J.
30	11/15/67	J. J.
31	11/15/67	J. J.
32	11/15/67	J. J.
33	11/15/67	J. J.
34	11/15/67	J. J.
35	11/15/67	J. J.
36	11/15/67	J. J.
37	11/15/67	J. J.
38	11/15/67	J. J.
39	11/15/67	J. J.
40	11/15/67	J. J.
41	11/15/67	J. J.
42	11/15/67	J. J.
43	11/15/67	J. J.
44	11/15/67	J. J.
45	11/15/67	J. J.
46	11/15/67	J. J.
47	11/15/67	J. J.
48	11/15/67	J. J.
49	11/15/67	J. J.
50	11/15/67	J. J.

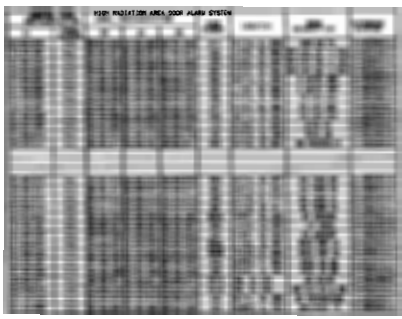
AMENDMENT 23

POWERHOUSE
UNIT 1
BROWNS FERRY NUCLEAR PLANT
FINAL SAFETY ANALYSIS REPORT
RADIATION MONITORING SYSTEM
MECHANICAL CONTROL DIAGRAM
FIGURE 7.12-26 SH 5



NOTE:
FOR GENERAL NOTES AND REFERENCE DRAWINGS SEE 3-17010-10-1.

- REFERENCE DRAWINGS:
- 3-17010-10-1 SYSTEM DIAGRAM PANEL 3-24
 - 3-17010-10-2 SYSTEM DIAGRAM PANEL 3-25
 - 3-17010-10-3 SYSTEM DIAGRAM PANEL 3-26
 - 3-17010-10-4 SYSTEM DIAGRAM PANEL 3-27
 - 3-17010-10-5 SYSTEM DIAGRAM PANEL 3-28
 - 3-17010-10-6 SYSTEM DIAGRAM PANEL 3-29
 - 3-17010-10-7 SYSTEM DIAGRAM PANEL 3-30
 - 3-17010-10-8 SYSTEM DIAGRAM PANEL 3-31
 - 3-17010-10-9 SYSTEM DIAGRAM PANEL 3-32
- PICTORIAL DRAWINGS:
- 3-17010-10-10 SYSTEM DIAGRAM PANEL 3-33
 - 3-17010-10-11 SYSTEM DIAGRAM PANEL 3-34
 - 3-17010-10-12 SYSTEM DIAGRAM PANEL 3-35
 - 3-17010-10-13 SYSTEM DIAGRAM PANEL 3-36
 - 3-17010-10-14 SYSTEM DIAGRAM PANEL 3-37
 - 3-17010-10-15 SYSTEM DIAGRAM PANEL 3-38



* SEE ABBOT CHART FOR METER NUMBER
** SEE ABBOT CHART FOR PANEL NUMBER

AMENDMENT 23

POWERHOUSE UNIT 3
BROWNS FERRY NUCLEAR PLANT FINAL SAFETY ANALYSIS REPORT
RADIATION MONITORING SYSTEM MECHANICAL CONTROL DIAGRAM
FIGURE 7.12-2b SH6

COMPANION DRAWING:
3-17010-10-1