

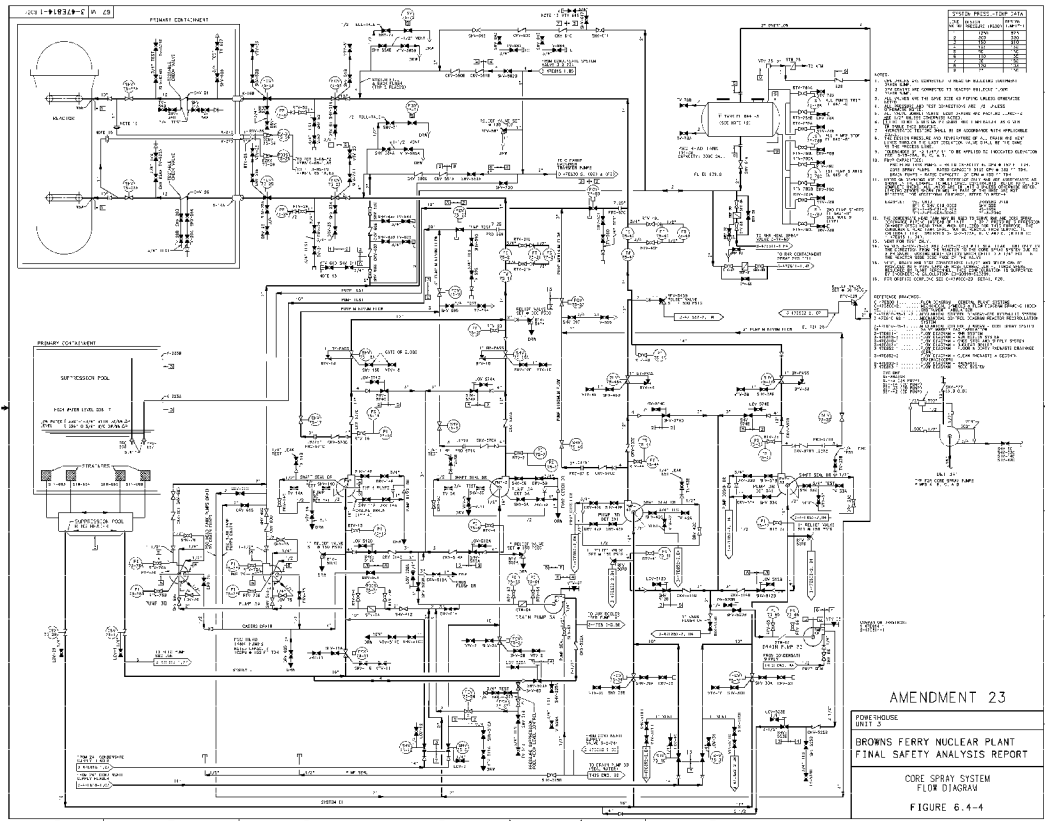
AMENDMENT 27

POWERHOUSE UNIT 3

BROWNS FERRY NUCLEAR PLANT
FINAL SAFETY ANALYSIS REPORT

HPCI SYSTEM
MECHANICAL CONTROL DIAGRAM

FIGURE 6.4-3



SYSTEM PRESSURE (PSIA)	TEMPERATURE (°F)
1	200
2	200
3	200
4	200
5	200
6	200
7	200
8	200
9	200
10	200
11	200
12	200
13	200
14	200
15	200
16	200
17	200
18	200
19	200
20	200
21	200
22	200
23	200
24	200
25	200
26	200
27	200
28	200
29	200
30	200
31	200
32	200
33	200
34	200
35	200
36	200
37	200
38	200
39	200
40	200
41	200
42	200
43	200
44	200
45	200
46	200
47	200
48	200
49	200
50	200

1. CORE SPRAY SYSTEM IS A PART OF THE CORE SPRAY SYSTEM.
2. THE CORE SPRAY SYSTEM IS A PART OF THE CORE SPRAY SYSTEM.
3. THE CORE SPRAY SYSTEM IS A PART OF THE CORE SPRAY SYSTEM.
4. THE CORE SPRAY SYSTEM IS A PART OF THE CORE SPRAY SYSTEM.
5. THE CORE SPRAY SYSTEM IS A PART OF THE CORE SPRAY SYSTEM.
6. THE CORE SPRAY SYSTEM IS A PART OF THE CORE SPRAY SYSTEM.
7. THE CORE SPRAY SYSTEM IS A PART OF THE CORE SPRAY SYSTEM.
8. THE CORE SPRAY SYSTEM IS A PART OF THE CORE SPRAY SYSTEM.
9. THE CORE SPRAY SYSTEM IS A PART OF THE CORE SPRAY SYSTEM.
10. THE CORE SPRAY SYSTEM IS A PART OF THE CORE SPRAY SYSTEM.
11. THE CORE SPRAY SYSTEM IS A PART OF THE CORE SPRAY SYSTEM.
12. THE CORE SPRAY SYSTEM IS A PART OF THE CORE SPRAY SYSTEM.
13. THE CORE SPRAY SYSTEM IS A PART OF THE CORE SPRAY SYSTEM.
14. THE CORE SPRAY SYSTEM IS A PART OF THE CORE SPRAY SYSTEM.
15. THE CORE SPRAY SYSTEM IS A PART OF THE CORE SPRAY SYSTEM.
16. THE CORE SPRAY SYSTEM IS A PART OF THE CORE SPRAY SYSTEM.
17. THE CORE SPRAY SYSTEM IS A PART OF THE CORE SPRAY SYSTEM.
18. THE CORE SPRAY SYSTEM IS A PART OF THE CORE SPRAY SYSTEM.
19. THE CORE SPRAY SYSTEM IS A PART OF THE CORE SPRAY SYSTEM.
20. THE CORE SPRAY SYSTEM IS A PART OF THE CORE SPRAY SYSTEM.
21. THE CORE SPRAY SYSTEM IS A PART OF THE CORE SPRAY SYSTEM.
22. THE CORE SPRAY SYSTEM IS A PART OF THE CORE SPRAY SYSTEM.
23. THE CORE SPRAY SYSTEM IS A PART OF THE CORE SPRAY SYSTEM.
24. THE CORE SPRAY SYSTEM IS A PART OF THE CORE SPRAY SYSTEM.
25. THE CORE SPRAY SYSTEM IS A PART OF THE CORE SPRAY SYSTEM.
26. THE CORE SPRAY SYSTEM IS A PART OF THE CORE SPRAY SYSTEM.
27. THE CORE SPRAY SYSTEM IS A PART OF THE CORE SPRAY SYSTEM.
28. THE CORE SPRAY SYSTEM IS A PART OF THE CORE SPRAY SYSTEM.
29. THE CORE SPRAY SYSTEM IS A PART OF THE CORE SPRAY SYSTEM.
30. THE CORE SPRAY SYSTEM IS A PART OF THE CORE SPRAY SYSTEM.
31. THE CORE SPRAY SYSTEM IS A PART OF THE CORE SPRAY SYSTEM.
32. THE CORE SPRAY SYSTEM IS A PART OF THE CORE SPRAY SYSTEM.
33. THE CORE SPRAY SYSTEM IS A PART OF THE CORE SPRAY SYSTEM.
34. THE CORE SPRAY SYSTEM IS A PART OF THE CORE SPRAY SYSTEM.
35. THE CORE SPRAY SYSTEM IS A PART OF THE CORE SPRAY SYSTEM.
36. THE CORE SPRAY SYSTEM IS A PART OF THE CORE SPRAY SYSTEM.
37. THE CORE SPRAY SYSTEM IS A PART OF THE CORE SPRAY SYSTEM.
38. THE CORE SPRAY SYSTEM IS A PART OF THE CORE SPRAY SYSTEM.
39. THE CORE SPRAY SYSTEM IS A PART OF THE CORE SPRAY SYSTEM.
40. THE CORE SPRAY SYSTEM IS A PART OF THE CORE SPRAY SYSTEM.
41. THE CORE SPRAY SYSTEM IS A PART OF THE CORE SPRAY SYSTEM.
42. THE CORE SPRAY SYSTEM IS A PART OF THE CORE SPRAY SYSTEM.
43. THE CORE SPRAY SYSTEM IS A PART OF THE CORE SPRAY SYSTEM.
44. THE CORE SPRAY SYSTEM IS A PART OF THE CORE SPRAY SYSTEM.
45. THE CORE SPRAY SYSTEM IS A PART OF THE CORE SPRAY SYSTEM.
46. THE CORE SPRAY SYSTEM IS A PART OF THE CORE SPRAY SYSTEM.
47. THE CORE SPRAY SYSTEM IS A PART OF THE CORE SPRAY SYSTEM.
48. THE CORE SPRAY SYSTEM IS A PART OF THE CORE SPRAY SYSTEM.
49. THE CORE SPRAY SYSTEM IS A PART OF THE CORE SPRAY SYSTEM.
50. THE CORE SPRAY SYSTEM IS A PART OF THE CORE SPRAY SYSTEM.

AMENDMENT 23
 CORE HOUSE
 UNIT 2
 BROWNS FERRY NUCLEAR PLANT
 FINAL SAFETY ANALYSIS REPORT
 CORE SPRAY SYSTEM
 FLOW DIAGRAM
 FIGURE 6.4-4

