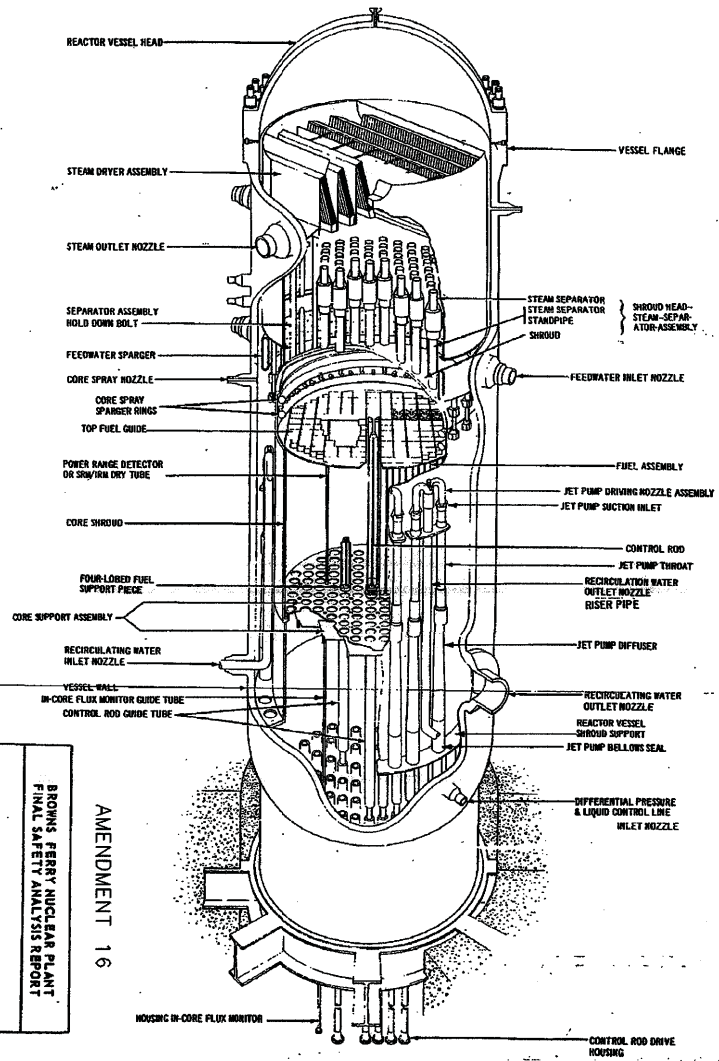
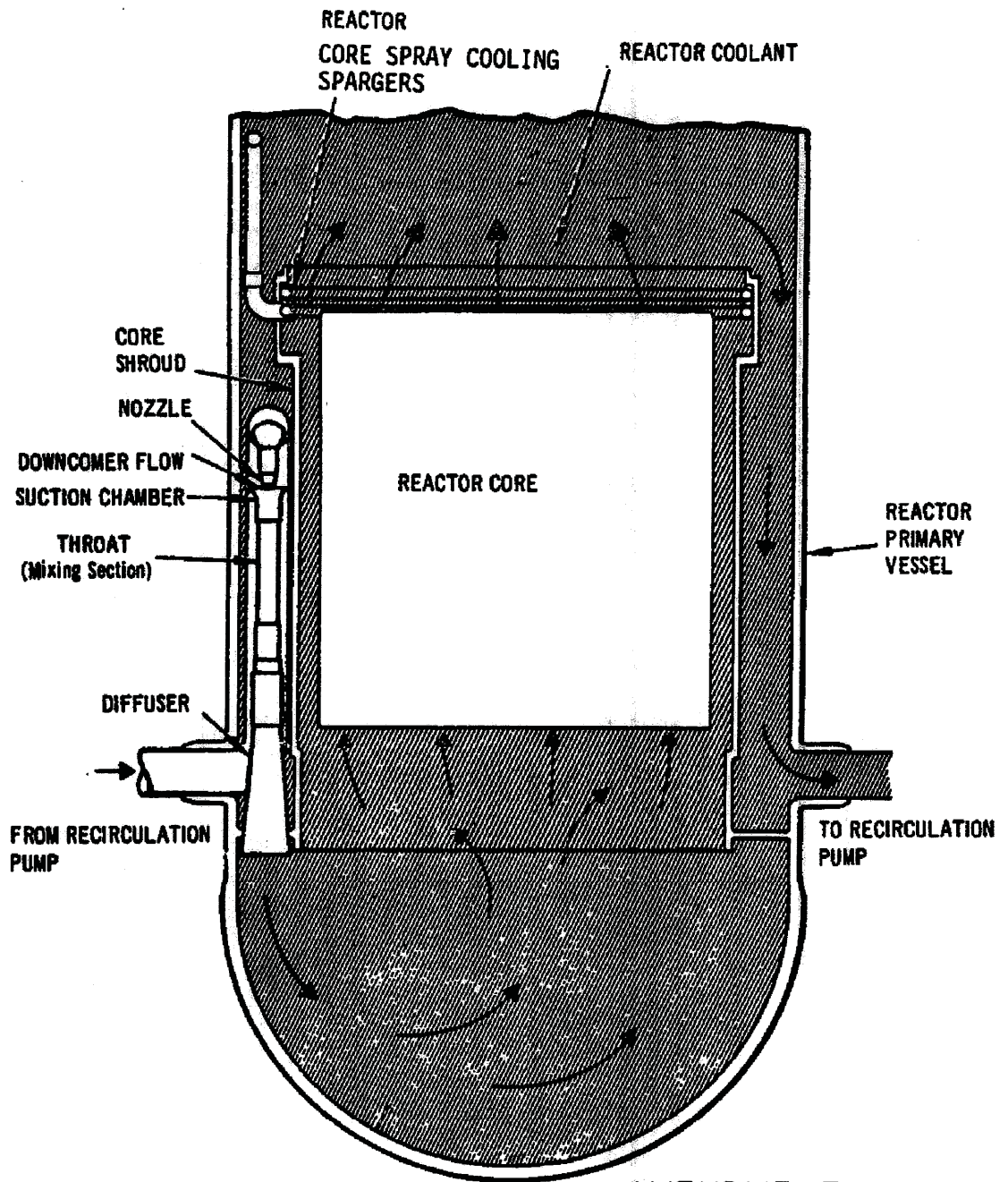


BFNP



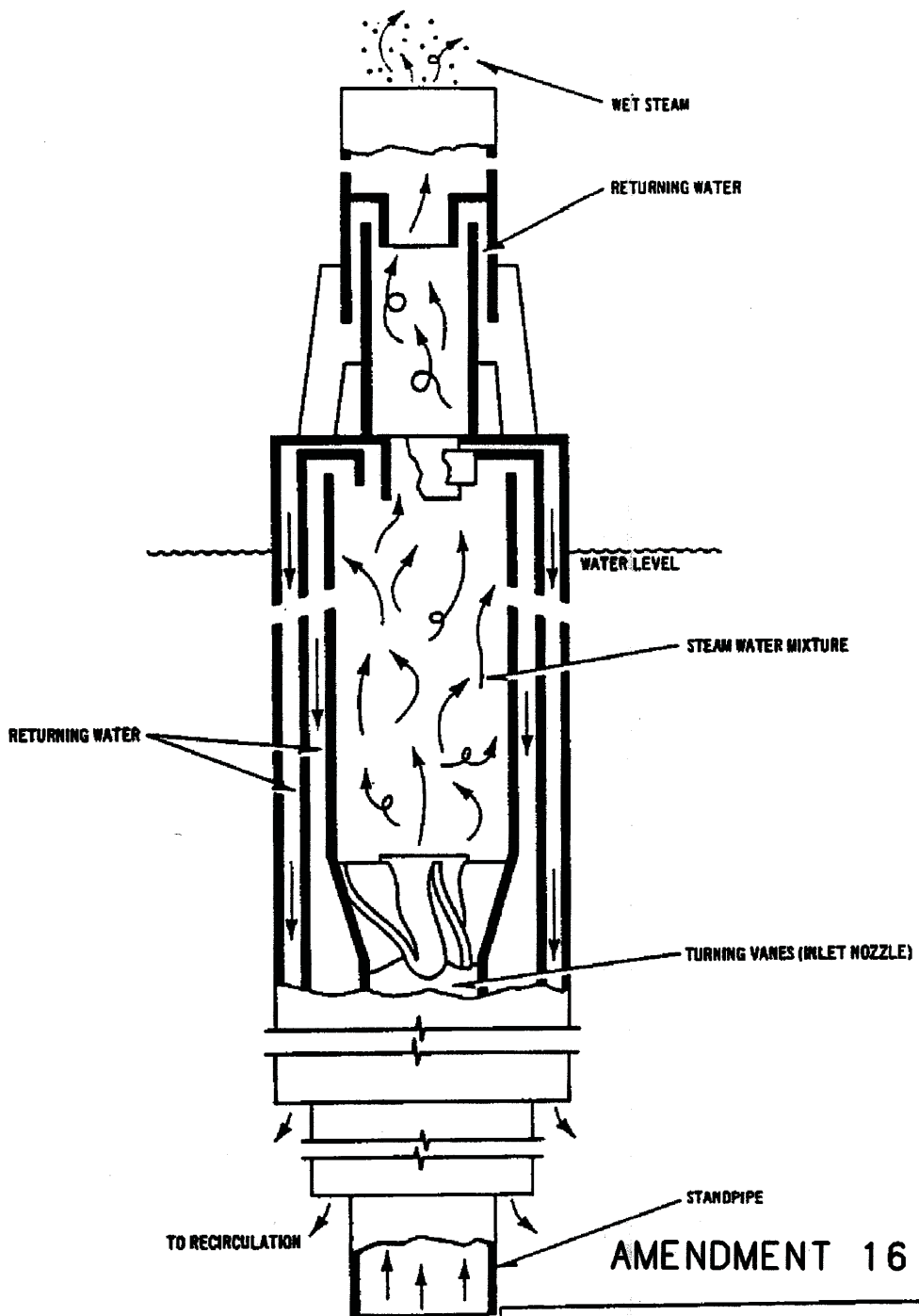
AMENDMENT 16

BROWN'S FERRY NUCLEAR PLANT FINAL SAFETY ANALYSIS REPORT Reactor Vessel Internals FIGURE 3.3-1



AMENDMENT 16

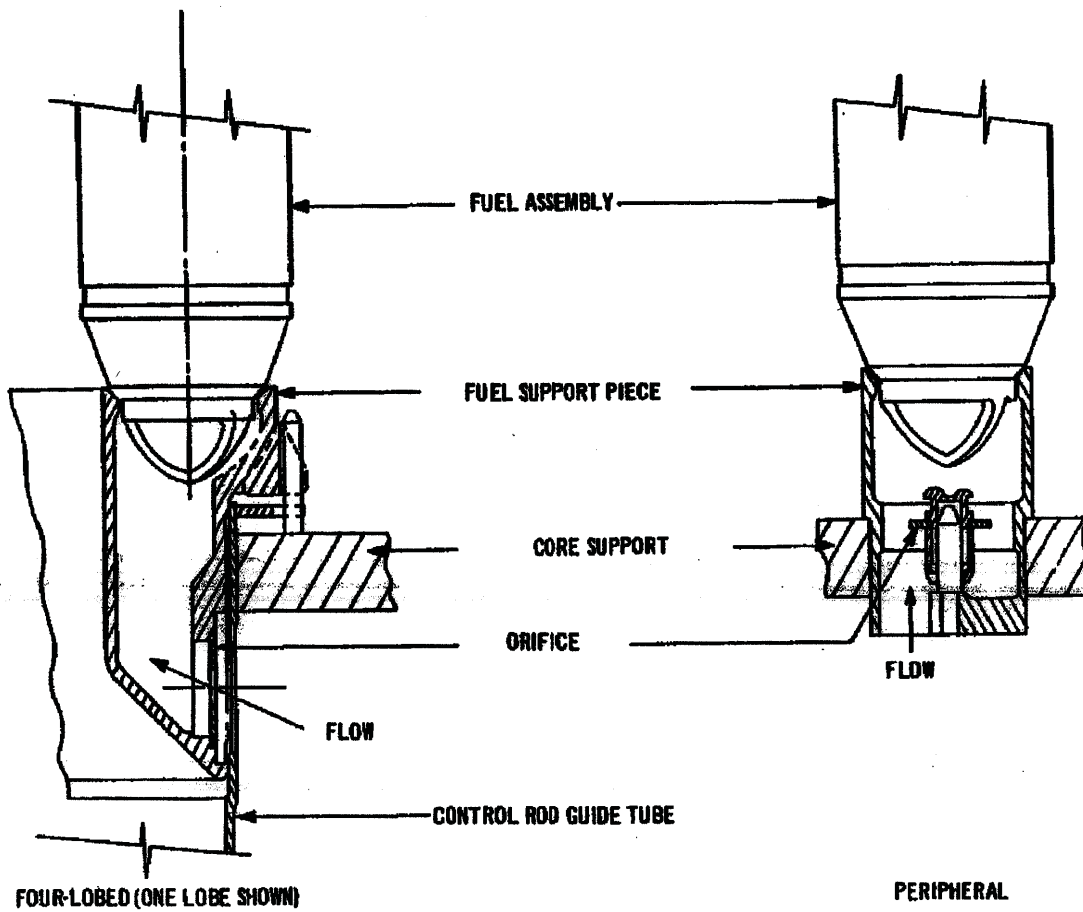
<p>BROWNS FERRY NUCLEAR PLANT FINAL SAFETY ANALYSIS REPORT</p>
<p>Reactor Vessel Internal Flow – Schematic FIGURE 3.3-2</p>



AMENDMENT 16

**BROWNS FERRY NUCLEAR PLANT
FINAL SAFETY ANALYSIS REPORT**

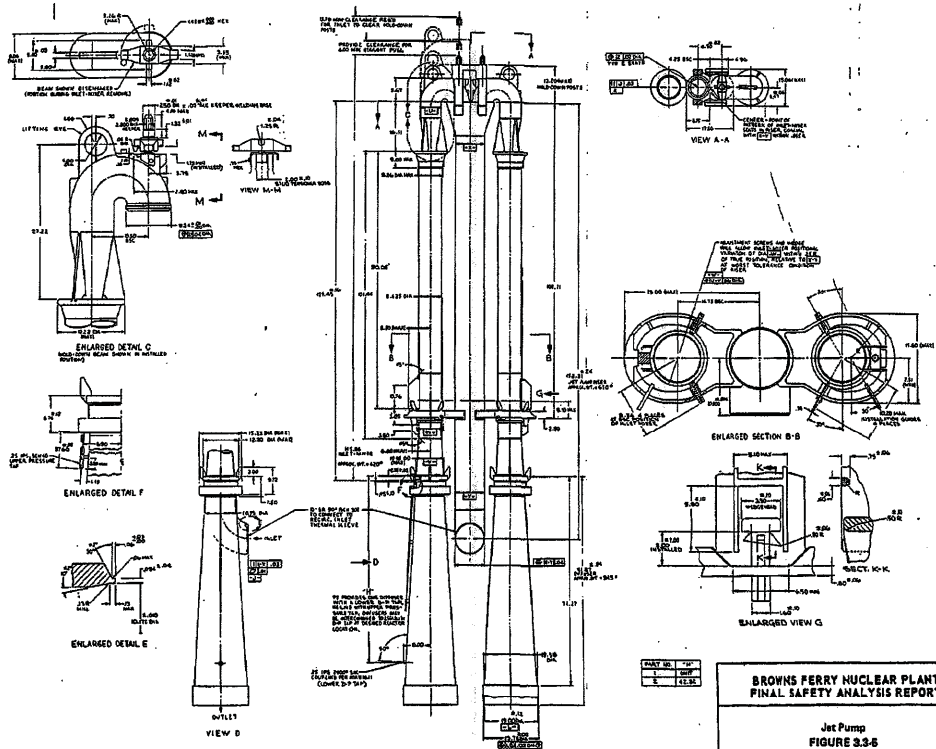
**Steam Separator
FIGURE 3.3-3**



AMENDMENT 16

**BROWNS FERRY NUCLEAR PLANT
FINAL SAFETY ANALYSIS REPORT**

**Fuel Support Pieces
FIGURE 3.3-4**

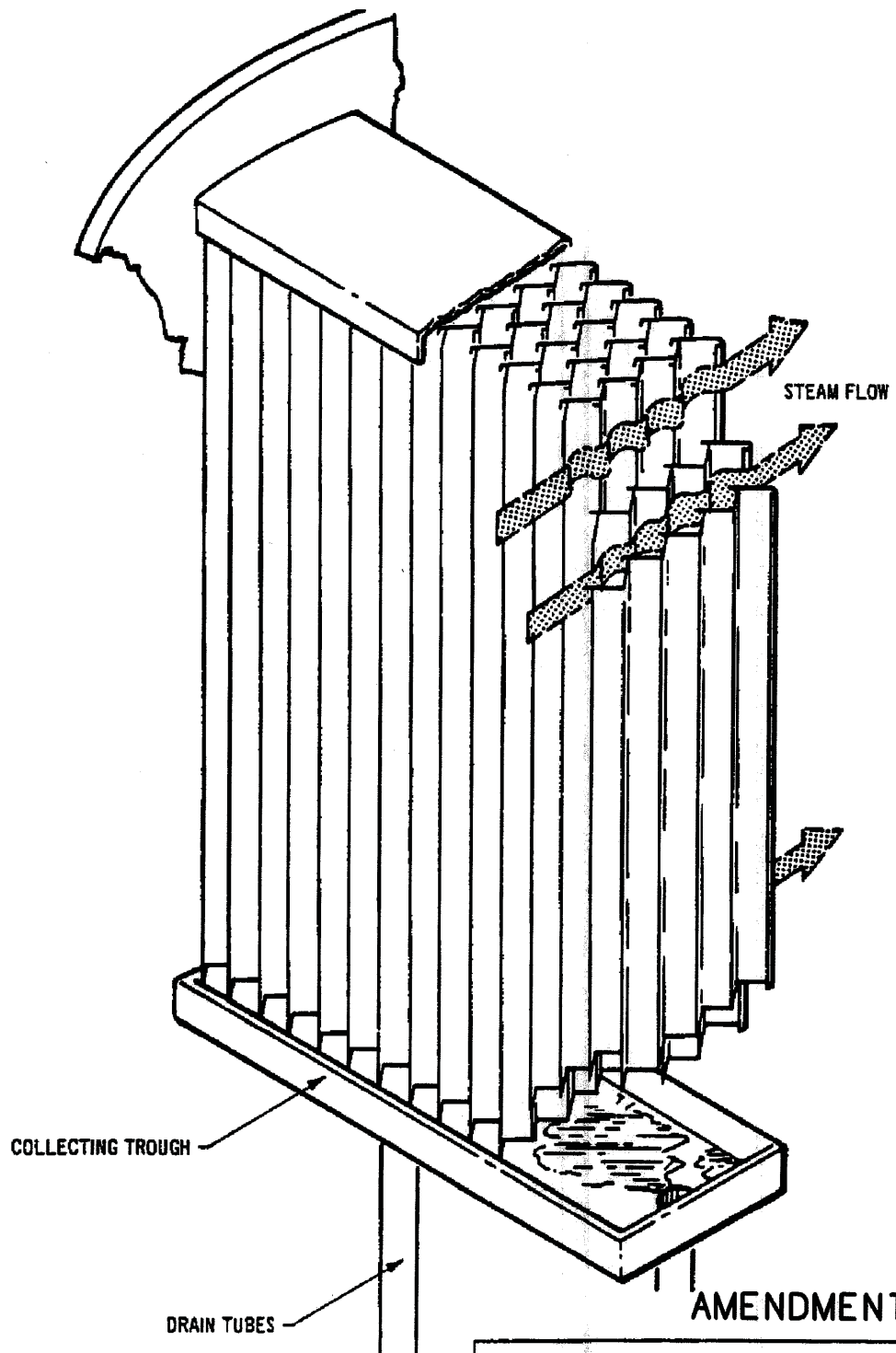


DATE	10/1/68
BY	W. J. ...
CHKD	...
APP'D	...

**BROWNS FERRY NUCLEAR PLANT
FINAL SAFETY ANALYSIS REPORT**

Jet Pump
FIGURE 3.3-6

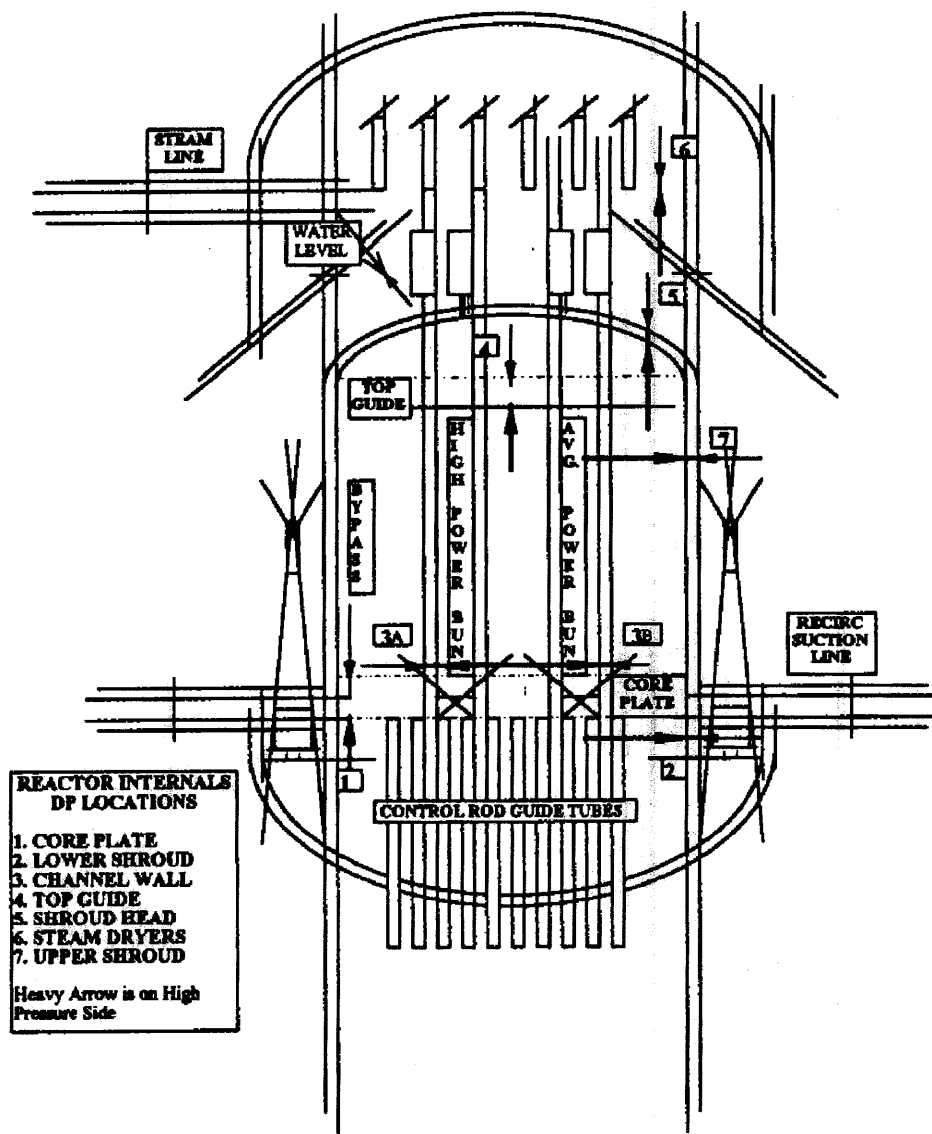
AMENDMENT 16



AMENDMENT 16

BROWNS FERRY NUCLEAR PLANT
FINAL SAFETY ANALYSIS REPORT

Steam Dryer
FIGURE 3.3-6



AMENDMENT 17

**BROWNS FERRY NUCLEAR PLANT
FINAL SAFETY
ANALYSIS REPORT**

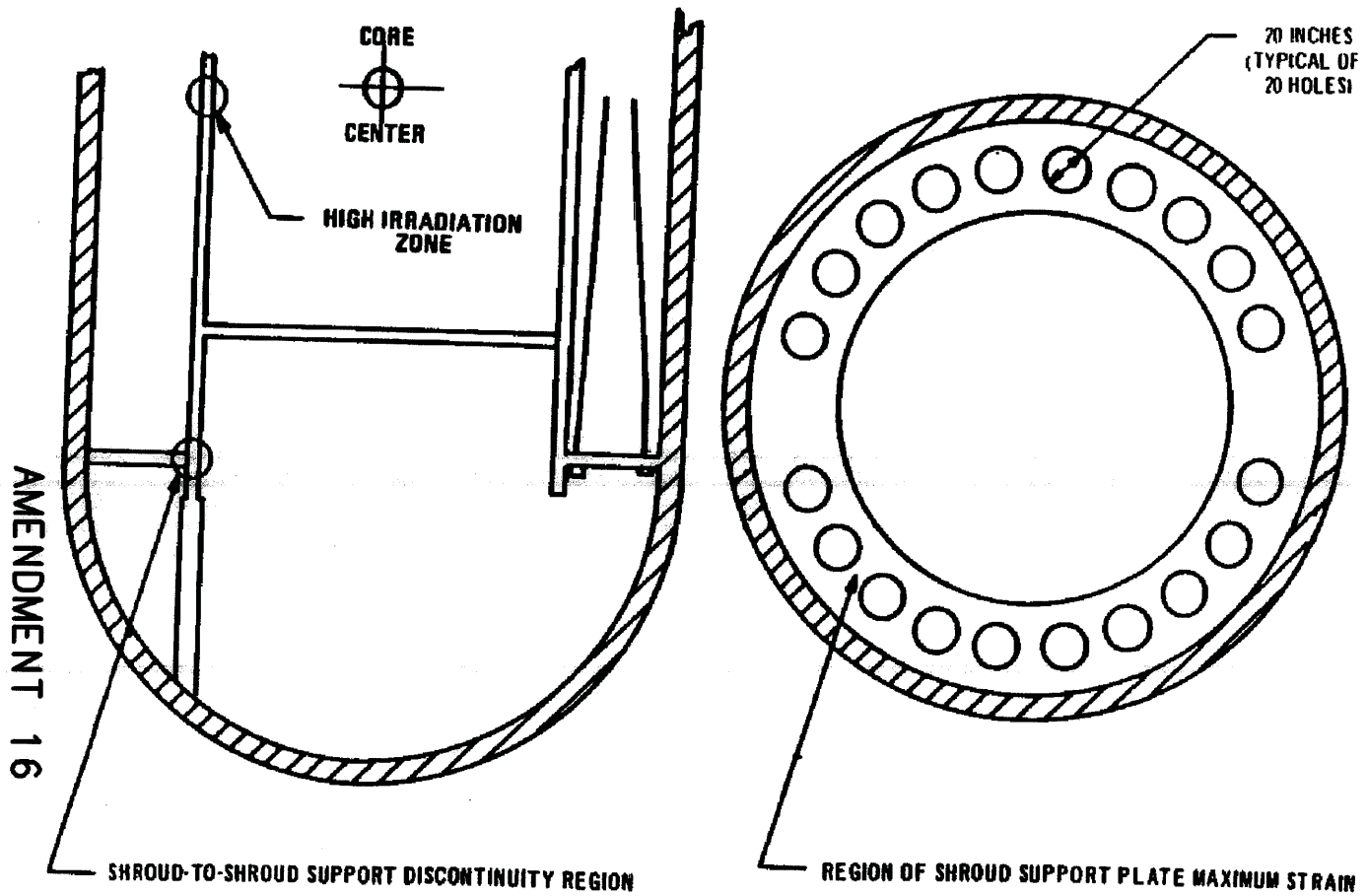
REACTOR INTERNAL PRESSURE
DIFFERENCE (RIPD) LOCATIONS

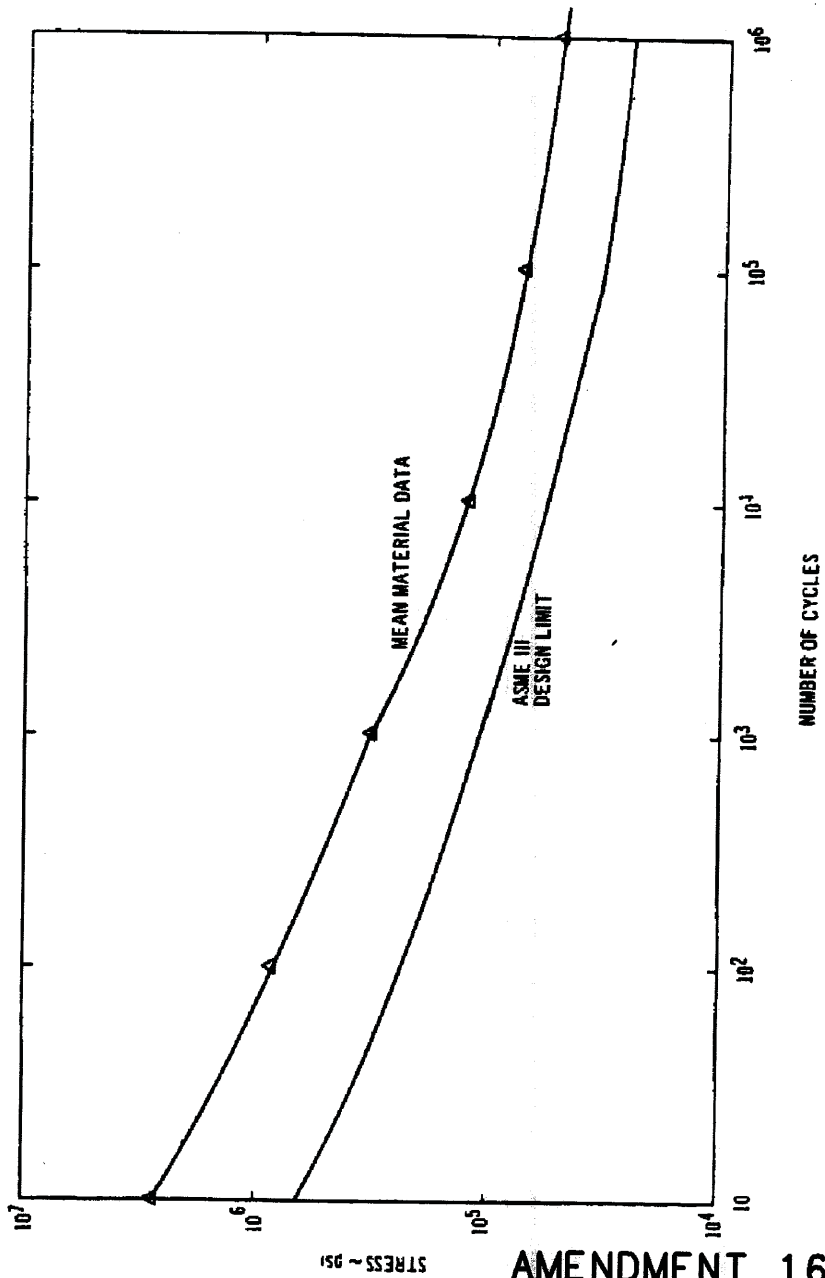
FIGURE 3.3-7

BFN-17

Figure 3.3-8
(Deleted by Amendment 17)

BROWNS FERRY NUCLEAR PLANT
FINAL SAFETY ANALYSIS REPORT
Thermal Shock Transient Analysis Zones
FIGURE 3-9





AMENDMENT 16

**BROWNS FERRY NUCLEAR PLANT
FINAL SAFETY ANALYSIS REPORT**

Material Behavior Graph -- Cycles vs. Stress
for Stainless Steel
FIGURE 3.3-10

BFN-16

Figure 3.3-11

Deleted by Amendment 10.