

REGULATORY INFORMATION DISTRIBUTION SYSTEM (RIDS)

ACCESSION NBR: 8408080337 DOC. DATE: 84/07/27 NOTARIZED: NO DOCKET #
 FACIL: 50-400 Shearon Harris Nuclear Power Plant, Unit 1, Carolina 05000400
 AUTH. NAME: AUTHOR AFFILIATION
 ZIMMERMAN, S. R. Carolina Power & Light Co.
 RECIP. NAME: RECIPIENT AFFILIATION
 DENTON, H. R. Office of Nuclear Reactor Regulation, Director

SUBJECT: Forwards addl info re turbine bldg vent radiation monitors,
 in response to SER Confirmatory Item 26, identified by
 Meteorological & Effluent Treatment Sys Branch.

DISTRIBUTION CODE: B001S COPIES RECEIVED: LTR 1 ENCL 1 SIZE: 3
 TITLE: Licensing Submittal: PSAR/FSAR Amdts & Related Correspondence

NOTES:

	RECIPIENT		COPIES			RECIPIENT		COPIES	
	ID CODE/NAME		LTTR	ENCL		ID CODE/NAME		LTTR	ENCL
	NRR/DL/ADL		1	0	NRR LB3 BC		1	0	
	NRR LB3 LA		1	0	BUCKLEY, B 01		1	1	
INTERNAL:	ADM-LFMB		1	0	ELD/HDS1		1	0	
	IE FILE		1	1	IE/DEPER/EPB 36		3	3	
	IE/DEPER/IRB 35		1	1	IE/DGASIP/QAB21		1	1	
	NRR/DE/AEAB		1	0	NRR/DE/CEB 11		1	1	
	NRR/DE/EHEB		1	1	NRR/DE/EQB 13		2	2	
	NRR/DE/GB 28		2	2	NRR/DE/MEB 18		1	1	
	NRR/DE/MTEB 17		1	1	NRR/DE/SAB 24		1	1	
	NRR/DE/SGEB 25		1	1	NRR/DHFS/HFEB40		1	1	
	NRR/DHFS/LQB 32		1	1	NRR/DHFS/PSRB		1	1	
	NRR/DL/SSPB		1	0	NRR/DSI/AEB 26		1	1	
	NRR/DSI/ASB		1	1	NRR/DSI/CPB 10		1	1	
	NRR/DSI/CSB 09		1	1	NRR/DSI/ICSB 16		1	1	
	NRR/DSI/METB 12		1	1	NRR/DSI/PSB 19		1	1	
	NRR/DSI/RAB 22		1	1	NRR/DSI/RSB 23		1	1	
	<u>REG FILE</u> 04		1	1	RGN2		3	3	
	RM/DDAMI/MIB		1	0					
EXTERNAL:	ACRS 41		6	6	BNL (AMDTs ONLY)		1	1	
	DMB/DSS (AMDTs)		1	1	FEMA-REP DIV 39		1	1	
	LPDR 03		1	1	NRC PDR 02		1	1	
	NSIC 05		1	1	NTIS		1	1	

TOTAL NUMBER OF COPIES REQUIRED: LTTR 54 ENCL 46

10

THE ASSOCIATION OF AMERICAN BANKERS

INCORPORATED IN THE STATE OF NEW YORK

OFFICE: 100 WALL STREET, NEW YORK, N. Y.

TELEPHONE: 475-1234

MEMBERSHIP: 1000

ESTABLISHED: 1900

MEMBERSHIP LIST

NO.	NAME	ADDRESS	CITY	STATE
1	AMERICAN BANKERS ASSOCIATION	100 WALL STREET	NEW YORK	N. Y.
2	AMERICAN BANKERS ASSOCIATION	100 WALL STREET	NEW YORK	N. Y.
3	AMERICAN BANKERS ASSOCIATION	100 WALL STREET	NEW YORK	N. Y.
4	AMERICAN BANKERS ASSOCIATION	100 WALL STREET	NEW YORK	N. Y.
5	AMERICAN BANKERS ASSOCIATION	100 WALL STREET	NEW YORK	N. Y.
6	AMERICAN BANKERS ASSOCIATION	100 WALL STREET	NEW YORK	N. Y.
7	AMERICAN BANKERS ASSOCIATION	100 WALL STREET	NEW YORK	N. Y.
8	AMERICAN BANKERS ASSOCIATION	100 WALL STREET	NEW YORK	N. Y.
9	AMERICAN BANKERS ASSOCIATION	100 WALL STREET	NEW YORK	N. Y.
10	AMERICAN BANKERS ASSOCIATION	100 WALL STREET	NEW YORK	N. Y.
11	AMERICAN BANKERS ASSOCIATION	100 WALL STREET	NEW YORK	N. Y.
12	AMERICAN BANKERS ASSOCIATION	100 WALL STREET	NEW YORK	N. Y.
13	AMERICAN BANKERS ASSOCIATION	100 WALL STREET	NEW YORK	N. Y.
14	AMERICAN BANKERS ASSOCIATION	100 WALL STREET	NEW YORK	N. Y.
15	AMERICAN BANKERS ASSOCIATION	100 WALL STREET	NEW YORK	N. Y.
16	AMERICAN BANKERS ASSOCIATION	100 WALL STREET	NEW YORK	N. Y.
17	AMERICAN BANKERS ASSOCIATION	100 WALL STREET	NEW YORK	N. Y.
18	AMERICAN BANKERS ASSOCIATION	100 WALL STREET	NEW YORK	N. Y.
19	AMERICAN BANKERS ASSOCIATION	100 WALL STREET	NEW YORK	N. Y.
20	AMERICAN BANKERS ASSOCIATION	100 WALL STREET	NEW YORK	N. Y.



Carolina Power & Light Company
JUL 27 1984

SERIAL: NLS-84-337

Mr. Harold R. Denton, Director
Office of Nuclear Reactor Regulation
United States Nuclear Regulatory Commission
Washington, DC 20555

SHEARON HARRIS NUCLEAR POWER PLANT
UNIT NO. 1 - DOCKET NO. 50-400
TURBINE BUILDING VENT RADIATION MONITORS

Dear Mr. Denton:

Carolina Power & Light Company (CP&L) hereby submits additional information concerning the turbine building vent radiation monitors at the Shearon Harris Nuclear Power Plant. This information is submitted in response to Safety Evaluation Report Confirmatory Item 26 from the Meteorology and Effluent Treatment Systems Branch.

If you have any further questions or require additional information, please feel free to contact my staff.

Yours very truly,

S. R. Zimmerman
Manager

Nuclear Licensing Section

ESS/pgp (393NLU)

cc: Mr. B. C. Buckley (NRC)	Mr. Wells Eddleman
Mr. G. F. Maxwell (NRC-SHNPP)	Mr. John D. Runkle
Mr. J. P. O'Reilly (NRC-RII)	Dr. Richard D. Wilson
Mr. Charles Willis (NRC-METB)	Mr. G. O. Bright (ASLB)
Mr. Travis Payne (KUDZU)	Dr. J. H. Carpenter (ASLB)
Mr. Daniel F. Read (CHANGE/ELP)	Mr. J. L. Kelley (ASLB)
Chapel Hill Public Library	
Wake County Public Library	

8408080337 840727
PDR ADQCK 05000400
E PDR

411 Fayetteville Street • P. O. Box 1551 • Raleigh, N. C. 27602

Boo 1
11

1952

The following information was obtained from the records of the
 Department of the Interior, Bureau of Land Management, on
 the subject of the land described in the foregoing
 captioned instrument.

The land described in the foregoing captioned instrument
 is situated in the County of [County Name], State of
 [State Name], and is more particularly described as
 follows:

[Detailed description of the land, including acreage, location, and any other relevant details.]

The land described in the foregoing captioned instrument
 is owned by [Owner Name], who is the holder of the
 title to the same.

The land described in the foregoing captioned instrument
 is subject to the following conditions:

[List of conditions or restrictions on the land.]

Shearon Harris Nuclear Power Plant
SER Confirmatory Item 26
Turbine Building Vent Radiation Monitors

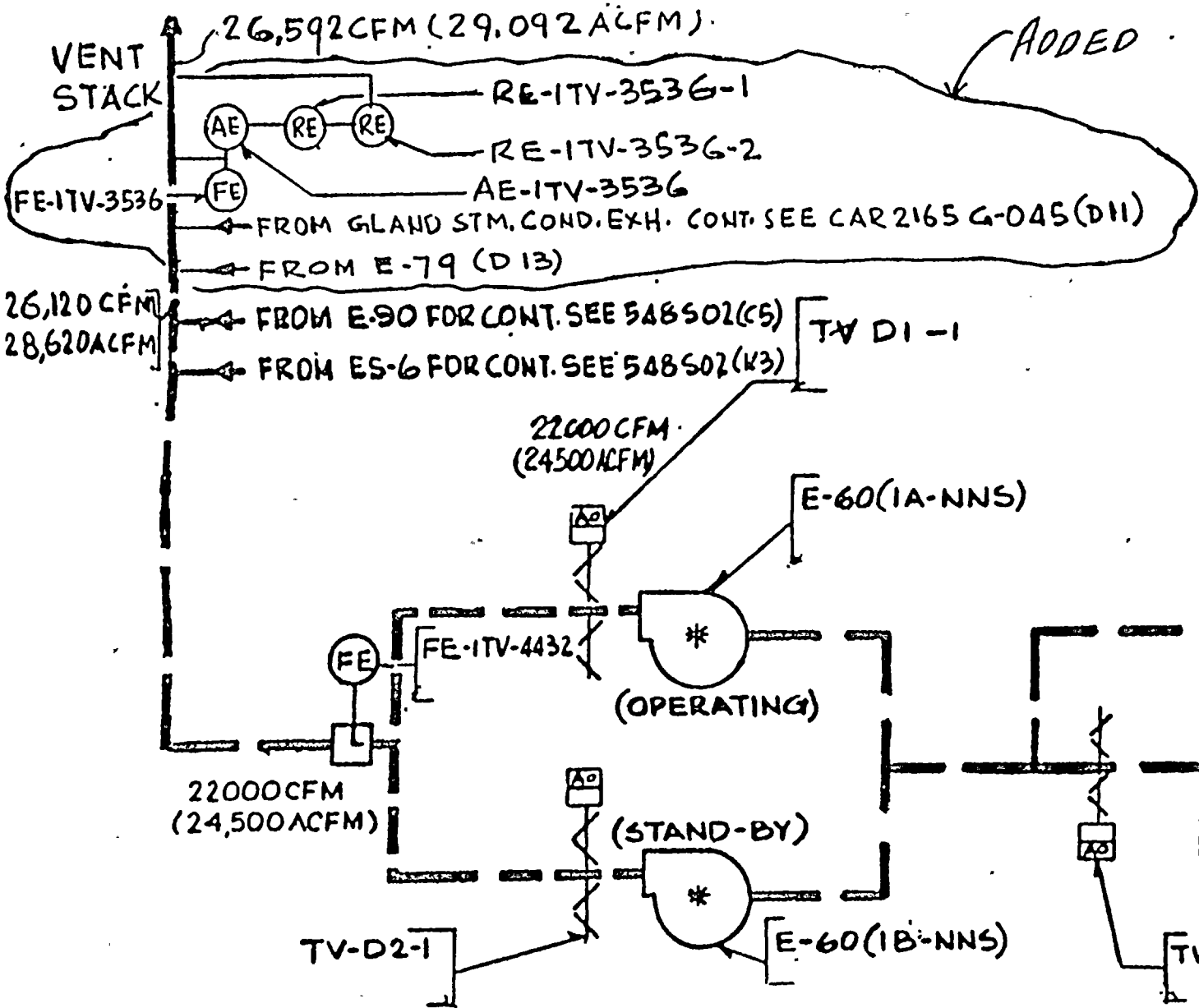
Confirmatory Item

The applicant has committed to installing a wide-range noble gas monitor for withdrawing samples from the turbine building vent stack during normal operations and accidents. This monitor will also be provided with continuous sampling capability for radioactive particulates and iodine. The staff must confirm that the sampling by this monitor is conducted downstream of all potential radioactive sources. This is a confirmatory item.

Response

The turbine building vent stack is monitored as shown on the attached portion of drawing CAR-2168-G-562. As noted on the revised area of the attachment, the monitor is located downstream of the various inputs including the gland steam condenser exhaust and the discharge from the condenser vacuum pump. FSAR Figure 9.4.4-1, along with FSAR Section 10.4.3 and 11.5.2, will be updated in a future amendment to reflect the revised information.





7SWI-792-1
 7SWI-792-2

ADDED

