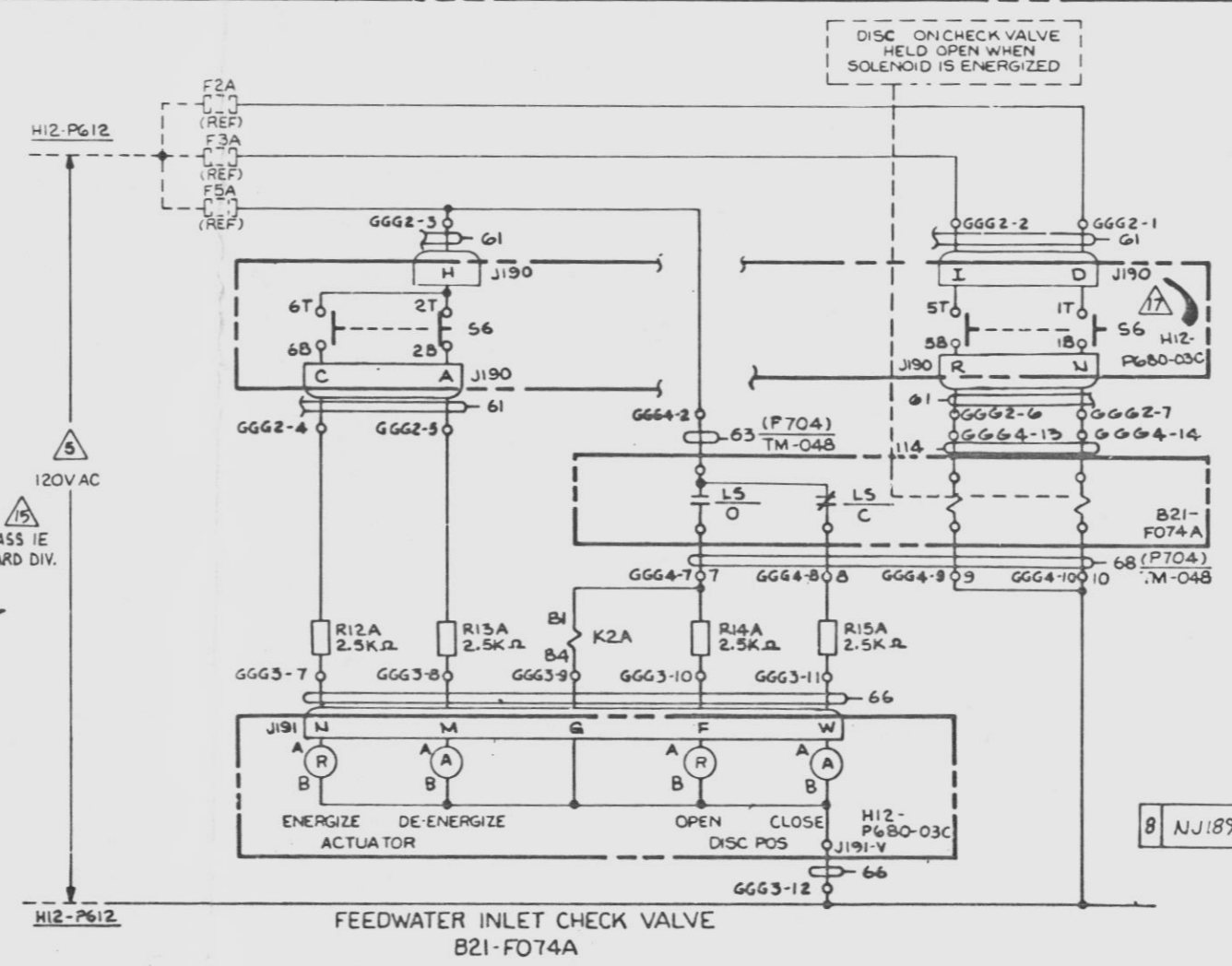
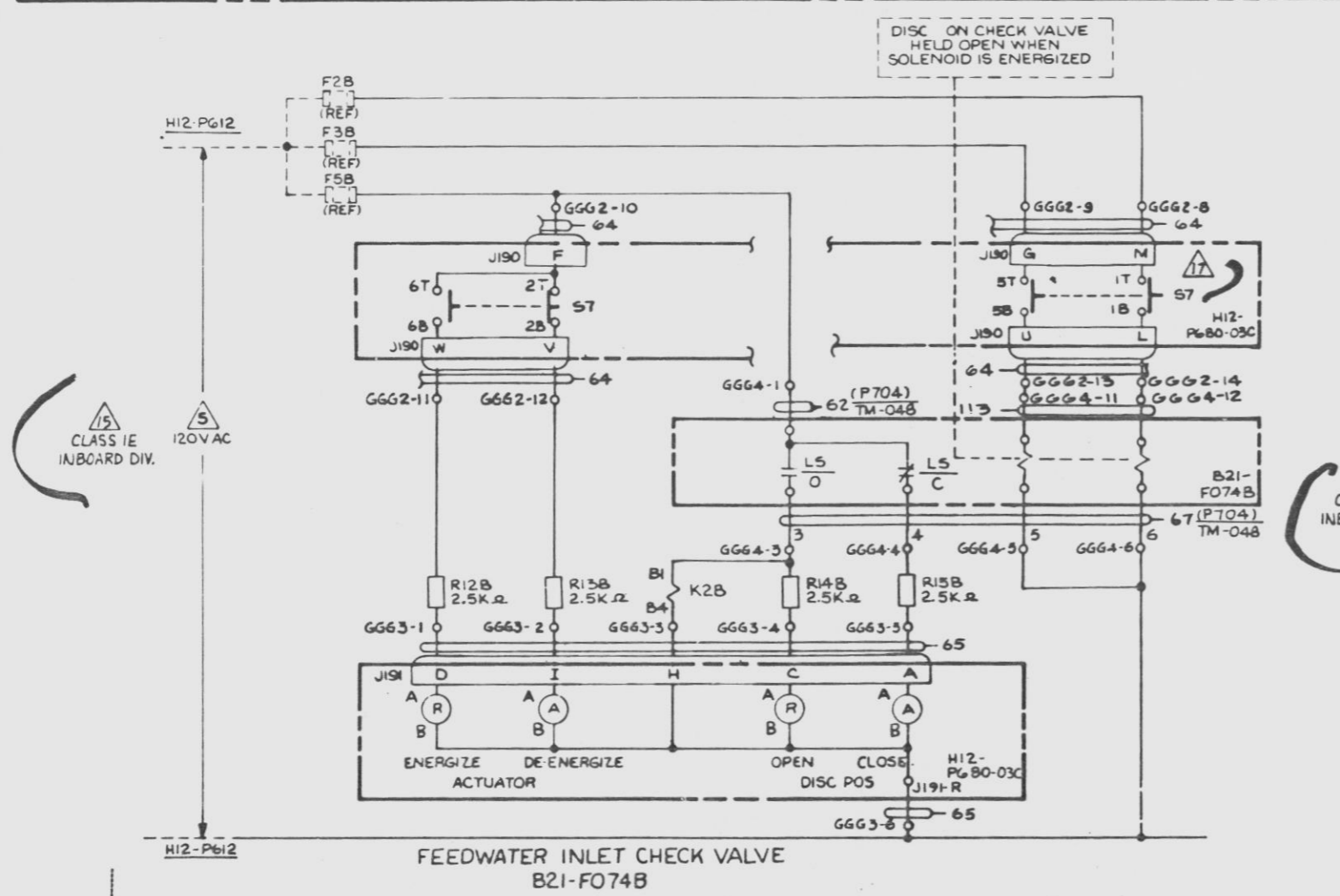
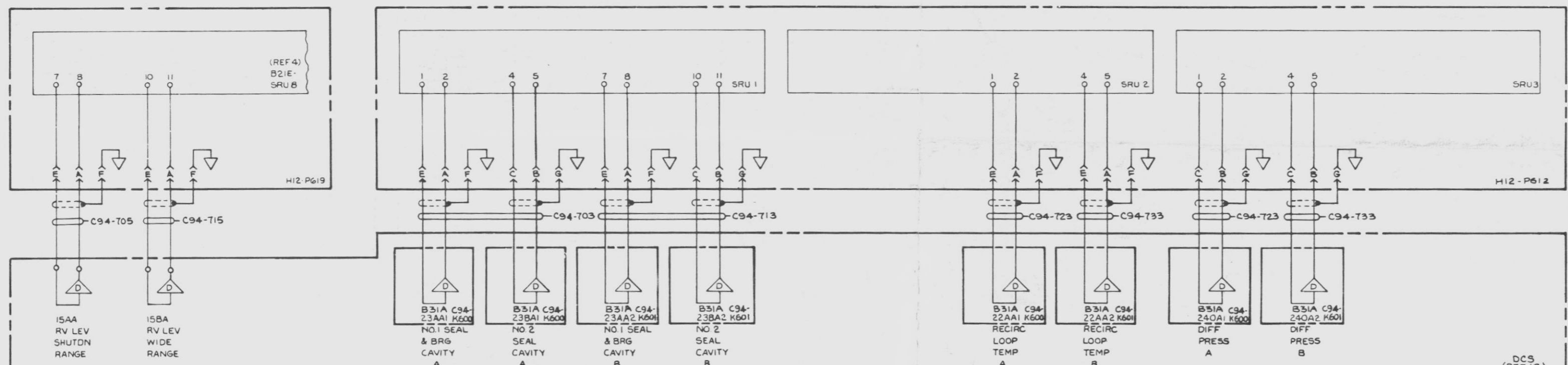
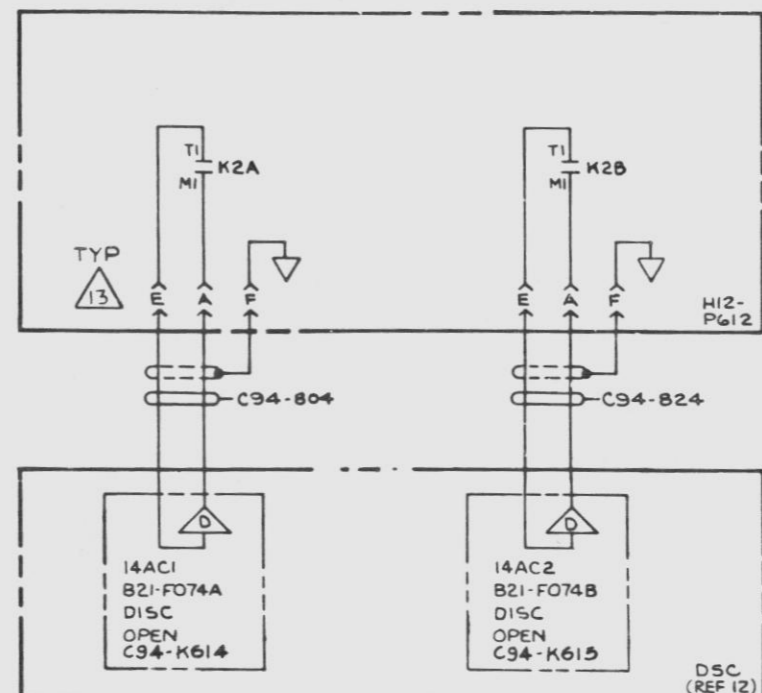
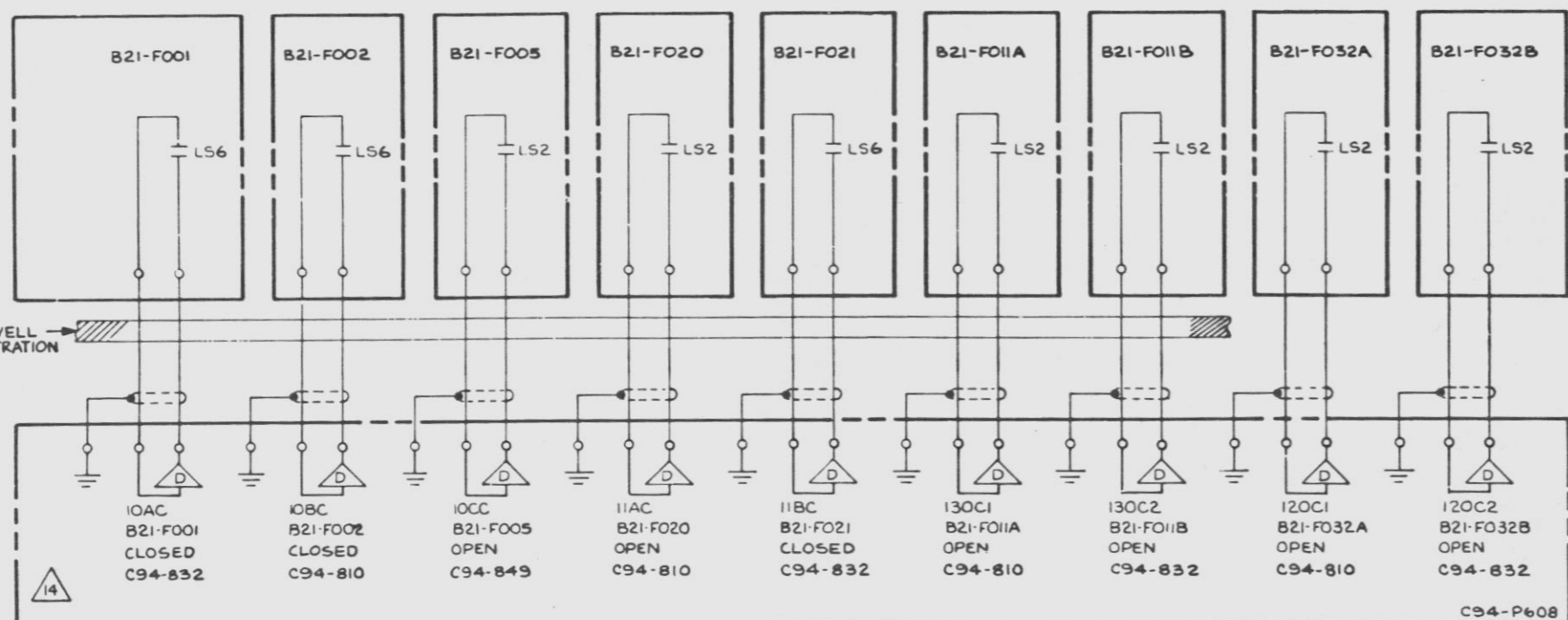


REV	NO	DATE	DESCRIPTION	BY	CHK
1			REVISED CHANGE OF PROC	BY	CHK
2			REVISED CHANGE OF PROC	BY	CHK

APPLIED PRACTICES	SURFACES	UNLESS OTHERWISE SPECIFIED USE THE FOLLOWING:
✓		



APPROVED DRAWING
 REVIEW COMMENTS AS CHECKED BELOW

NO	DATE	REVISION	DESCRIPTION
1			

Docket # 50-387
 Control # 8304650245-57
 Date 3-27-83 of Document
 REGULATORY DOCKET FILE

PRC
 APERTURE
 CARD

UNCONTROLLED DOCUMENT
 FOR REFERENCE ONLY

8856-M1-B21-96(5)-8

RECORD-MYLAR
 UNIT 2

REF LINE CODES: C94-703, 705, 713, 715, 723, 733, 804, 824
 LINE CODES 61-69, 113, 114

NO	DATE	REVISION	DESCRIPTION
1			
2			

FF114510
 NJ18978
 NJ04097
 CH'D BY: G. W. BERRY
 8/1/83
 GENERAL DOC CHANGE
 CHECKED BY: NE75568
 C94-703, 705, 713, 715, 723, 733, 804, 824
 NE75568
 8/1/83
 J. FUJITANI
 J. FUJITANI