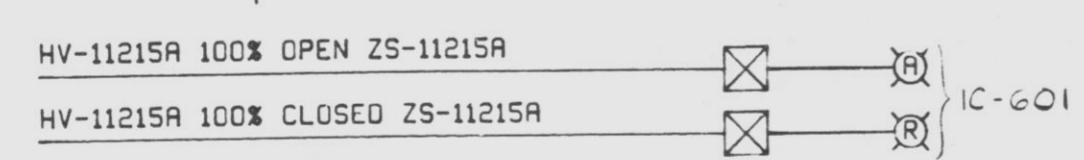
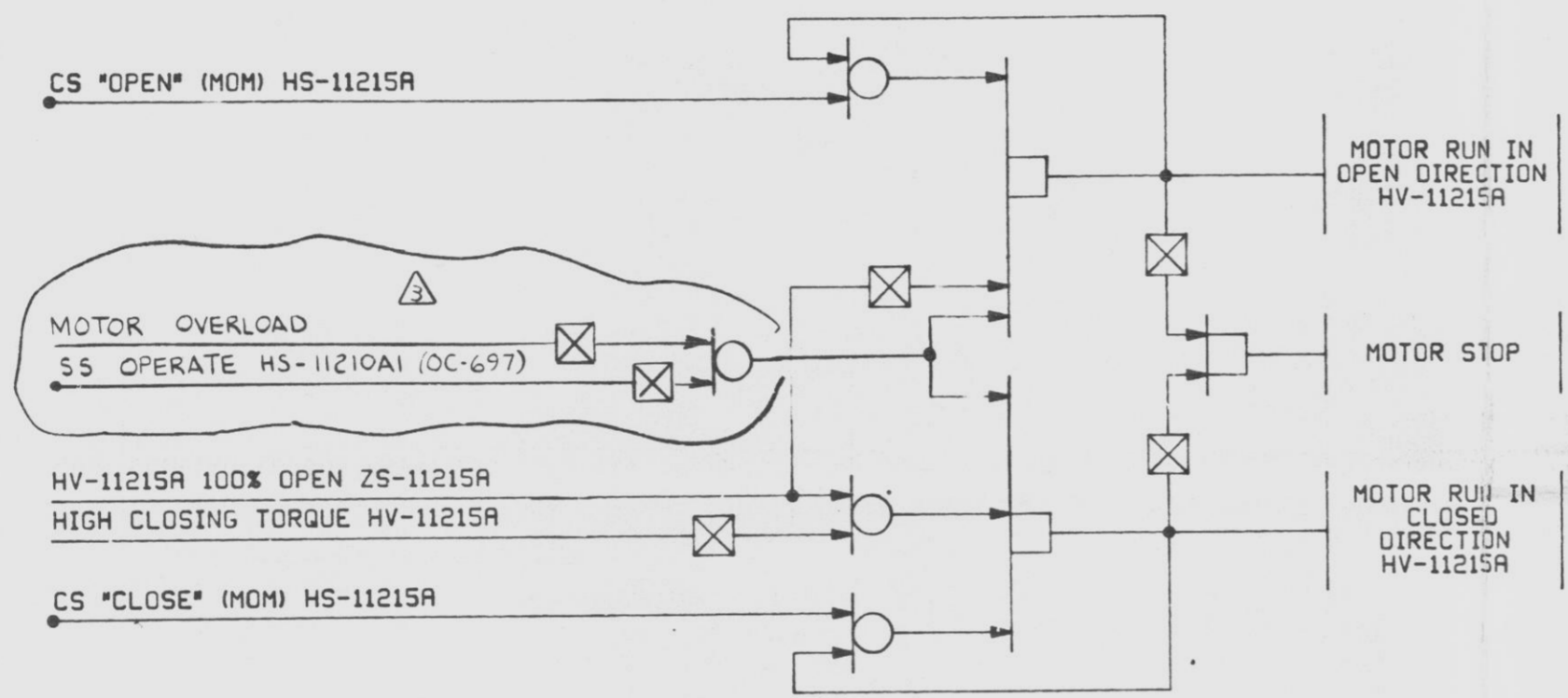


This drawing and the design it covers are the property of BECHTEL. They are merely loaned and on the borrower's express agreement that they will not be reproduced, copied, loaned, exhibited, or used except in the limited way and private use permitted by the lender to the borrower.



Ⓜ Ⓡ HV-11215A



HS-11215A
1C-601

MOMENTARY CONTACTS
SPRING-RETURN-TO-CENTER

UNCONTROLLED DOCUMENT
FOR REFERENCE ONLY

PRC
APERTURE
CARD

- NOTES
1. ALL EQUIPMENT POWER FROM SAC.
 2. HS-11210A1 IS SHOWN ON J-112 SH 3
 3. LOSS OF POWER (BIS) SEE DWG J-499.

REFERENCE DWGS.	
BECHTEL NO.	PL NO.
M-112	E-106217
E-150 SH 9 ^{REV} 7	O-107299
J-499	B-103773

NO.	DATE	REVISIONS	BY	CHKD	APP'D	SCALE
1	1/12	ISSUED AS BUILT REVISED PER DCR-42	GLT			
2	2-78	REVISED AS NOTED				
3	7-29-75	REVISED AND REDRAWN	TCK	AS PLK	GMK LOV	

SCALE: DESIGNED: **LOV** DRAWN: **LOV**

PENNSYLVANIA POWER & LIGHT COMPANY
ALLENTOWN, PENNSYLVANIA
BURGHANNA STEAM ELECTRIC STATION - UNIT 1, UNIT 2
BECHTEL - SAN FRANCISCO

**LOGIC DIAGRAM
RHR SERVICE WATER SYSTEM
1E-205A HX OUTLET VALVE**

JOB NO.	DRAWING NO.	REV.
8856	J-112 SH 4	3

B-103402 S H 4

THIS DOCUMENT IS UNDER PNEUMATIC CONTROL AND CHANGES SHALL BE MADE WITHOUT SUPERVISOR APPROVAL

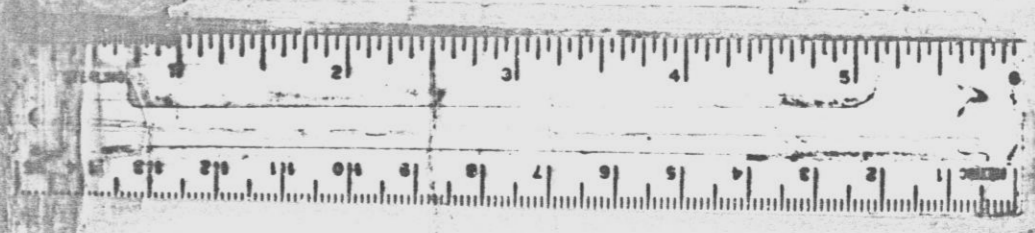
GIJS5 LGCDGRMRHR S.W. SYSTEM W

11 x 22

16X

I certify that the microfilmed image contained on this microform were made in the normal and regular course of business. This is a true, full, correct and complete reproduction and replacement for and/or in lieu of original documents generated by the Bechtel group of companies.

Signature: **NINOUS** Date: **8-19-82** Camera Type: **MRG-11**



Doc # 50-387
Cont # 8304050245-158
Date 3-29-83 of Document
REGULATORY DOCKET FILE

D