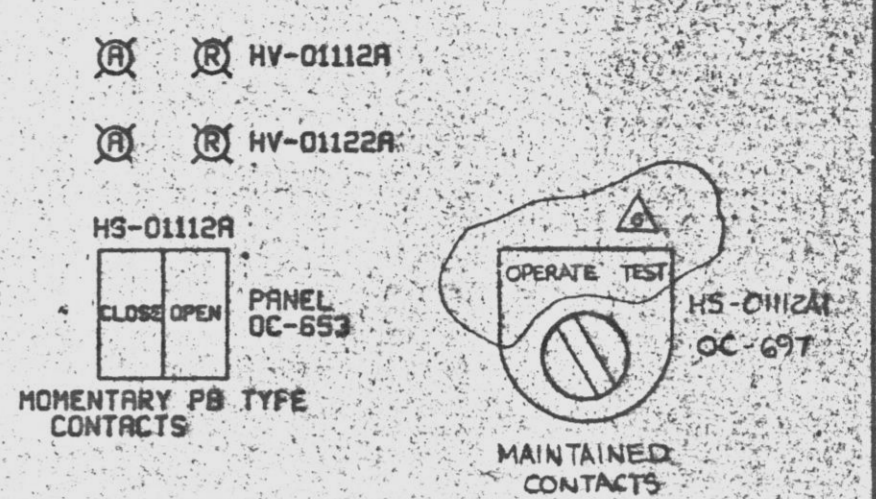
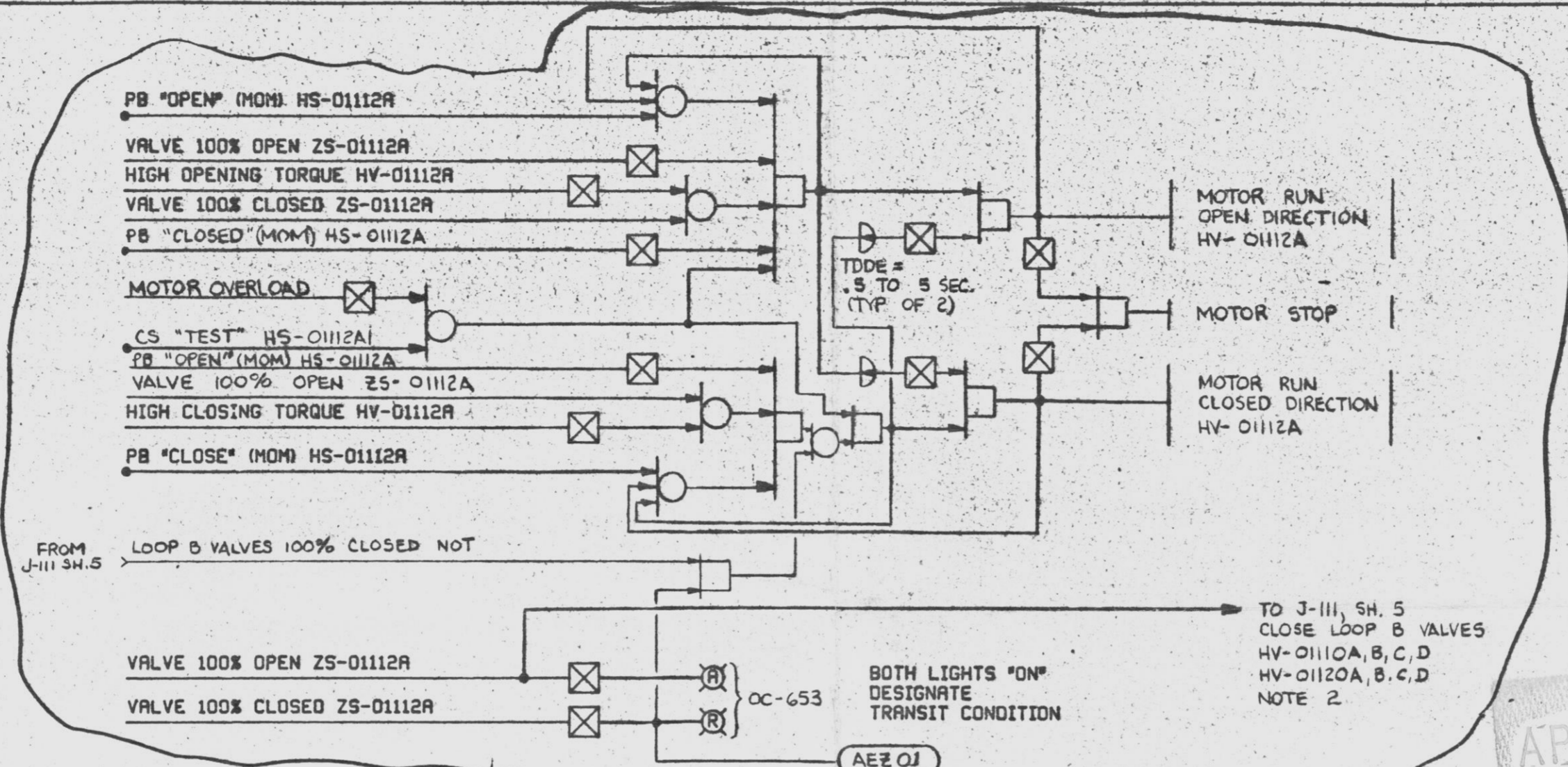


This drawing and the design it covers are the property of BECHTEL. They are merely loaned and on the borrower's express agreement that they will not be reproduced, copied, loaned, exhibited, or used except in the limited way and private use permitted by any written consent given by the lender to the borrower.



UNCONTROLLED DOCUMENT FOR REFERENCE ONLY

- NOTES:
1. ALL EQUIPMENT POWER FROM SAC.
 2. THE SIGNAL FROM HS-01112A TO CLOSE LOOP B VALVES, CLOSES THE VALVE-PAIR HV-01110A & HV-01120A. SIMILAR OPERATIONS MODE EXIST FOR THE B, C, & D VALVES.
 3. SEE J-499 FOR BIS (LOSS OF POWER)

HV-01112A	HS-01112A	ZS-01112A	DIESEL GENERATOR HEAT EXCHANGER	A	E-146, SH 9	HS-01112A1	AEZ 01	
HV-011122A	HS-011122A	ZS-011122A			(OC697)	AEZ 17		
HV-01112B	HS-01112B	ZS-01112B	B	E-146, SH 9	HS-01112B1	AEZ 03		
HV-011122B	HS-011122B	ZS-011122B		(OC697)	AEZ 19			
HV-01112C	HS-01112C	ZS-01112C	C	E-146, SH 9	HS-01112C1	AEZ 05		
HV-011122C	HS-011122C	ZS-011122C		(OC697)	AEZ 21			
HV-01112D	HS-01112D	ZS-01112D	D	E-146, SH 9	HS-01112D1	AEZ 07		
HV-011122D	HS-011122D	ZS-011122D		(OC697)	AEZ 23			
HAND VALVE	HAND SWITCH	HS PANEL	POSITION SWITCH	SERVICE	GROUP	ELECTRICAL DNG.	SELECTOR SWITCH	COMPUTER POINT

P.R.C. APERTURE CARD

BECHTEL NO.	PL NO.
J-111, SH 5	B-103401 SH 5
M-111, SH 1	E-106216 SH 1
E-146, SH 9 REV 11	D-107295, SH 9
E-185 SH 29	D-107334 SH 29
J-499	D 103777

THIS DOCUMENT IS UNDER PPL ADMINISTRATIVE CONTROL. NO CHANGES CAN BE MADE WITHOUT PRIOR PPL APPROVAL.

G I J S S L G C D G R M E . S . W . SYSTEM

NO.	DATE	REVISION	BY	CHKD	APP'D
1	12-21-78	ISSUED "AS BUILT"	AEZ		
2	1/11/79	REVISED PER DCR-42	SLDK		
3	2-21-79	REVISED AS NOTED			
4	12-14-78	REVISED PER PLB-5207			
5	6-30-78	REVISED AND REDRAWN			

PENNSYLVANIA POWER & LIGHT COMPANY
ALLENTOWN, PENNSYLVANIA
SUSQUEHANNA STEAM ELECTRIC STATION - UNIT 1, UNIT 2
BECHTEL - SAN FRANCISCO

LOGIC DIAGRAM
E.S.W. DIESEL HEAT EXCH. VALVES - LOOP A

JOB NO.	DRAWING NO.	REV.
8334	J-111 SH 4	6

B-103401 SH 4

16X

I certify that the microfilmed image contained on this microform were made in the normal and regular course of business. This is a true, full, correct and complete reproduction and replacement for and/or in lieu of original documents owned by the Bechtel and its companies.

Signature: *A. Lee* Date: *8/1/82* Camera Type: *MRG I*



Doc # 50-387
Cont. # 830450245-153
Date 3-28-83 of Document
REGULATORY DOCKET FILE

D