

ACCELERATED DISTRIBUTION DEMONSTRATION SYSTEM

REGULATORY INFORMATION DISTRIBUTION SYSTEM (RIDS)

ACCESSION NBR: 8806160014 DOC. DATE: 88/06/10 NOTARIZED: NO DOCKET #
 FACIL: 50-400 Shearø Harris Nuclear Power Plant, Unit 1, Carolina 05000400
 AUTH. NAME AUTHOR AFFILIATION
 WATSON, R.A. Carolina Power & Light Co.
 RECIPIENT NAME RECIPIENT AFFILIATION
 Document Control Branch (Document Control Desk)

SUBJECT: Clarifies 880212 response to violation noted in Insp Rept 50-400/87-38.

DISTRIBUTION CODE: IE01D COPIES RECEIVED: LTR 1 ENCL 1 SIZE: 3
 TITLE: General (50 Dkt)-Insp Rept/Notice of Violation Response

NOTES: Application for permit renewal filed. 05000400

	RECIPIENT ID CODE/NAME	COPIES LTR ENCL	RECIPIENT ID CODE/NAME	COPIES LTR ENCL	
	PD2-1 PD	1 1	BUCKLEY, B	2 2	/
INTERNAL:	ACRS	2 2	AEOD	1 1	A
	DEDRO	1 1	NRR MORISSEAU, D	1 1	I
	NRR/DLPQ/PEB 11	1 1	NRR/DLPQ/QAB 10	1 1	I
	NRR/DOEA DIR 11	1 1	NRR/DREP/EPB 10	1 1	S
	NRR/DREP/RPB 10	2 2	NRR/DRIS DIR 9A	1 1	
	NRR/PMAS/ILRB12	1 1	NUDOCS-ABSTRACT	1 1	
	OE LEEBERMAN, J	1 1	OGC 15-B-18	1 1	
	<u>REG FILE</u> 02	1 1	RES/DRPS DEPY	1 1	
	RGN2 FILE 01	1 1			
EXTERNAL:	LPDR	1 1	NRC PDR	1 1	
	NSIC	1 1			

TOTAL NUMBER OF COPIES REQUIRED: LTR 25 ENCL 25

I
I
I
S
/
A
D
D
S

R
I
D
S
/
A
D
D
S

1
J





Carolina Power & Light Company

HARRIS NUCLEAR PROJECT
P. O. Box 165
New Hill, North Carolina 27562

JUN 10 1988

File Number: S47/10-13510E
Letter Number: HO-880122 (0)

NRC-627

Document Control Desk
United States Nuclear Regulatory Commission
Washington, DC 20555

SHEARON HARRIS NUCLEAR POWER PLANT
DOCKET NO. 50-400
LICENSE NO. NPF-63

Gentlemen:

Based on review of your letter dated May 11, 1988 and our May 31, 1988 telephone conversation with your Mr. G. A. Belisle, Carolina Power & Light Company wishes to clarify our reply dated February 12, 1988 concerning 50-400/87-38 Violation A.1.

Your letter indicates a misunderstanding of our response in regard to the circuit boards being shown in two locations on one of the two schematics involved. Portions of the boards were shown in three locations, one on sheet 24 and two locations on sheet 4. Both schematics were used as design inputs, however, the design engineer working the modification (PCR-2292) inadvertently overlooked the second portion of the board shown on sheet 4 (Schematics attached). This caused the use of unavailable contacts in the design.

This incident was considered to be an isolated case therefore no further corrective action to prevent recurrence is deemed necessary.

If you should have any further questions regarding this matter, please contact Mr. D. L. Tibbitts at (919) 362-2718.

Very truly yours,

R. A. Watson
Vice President
Harris Nuclear Project

MGW:ddl

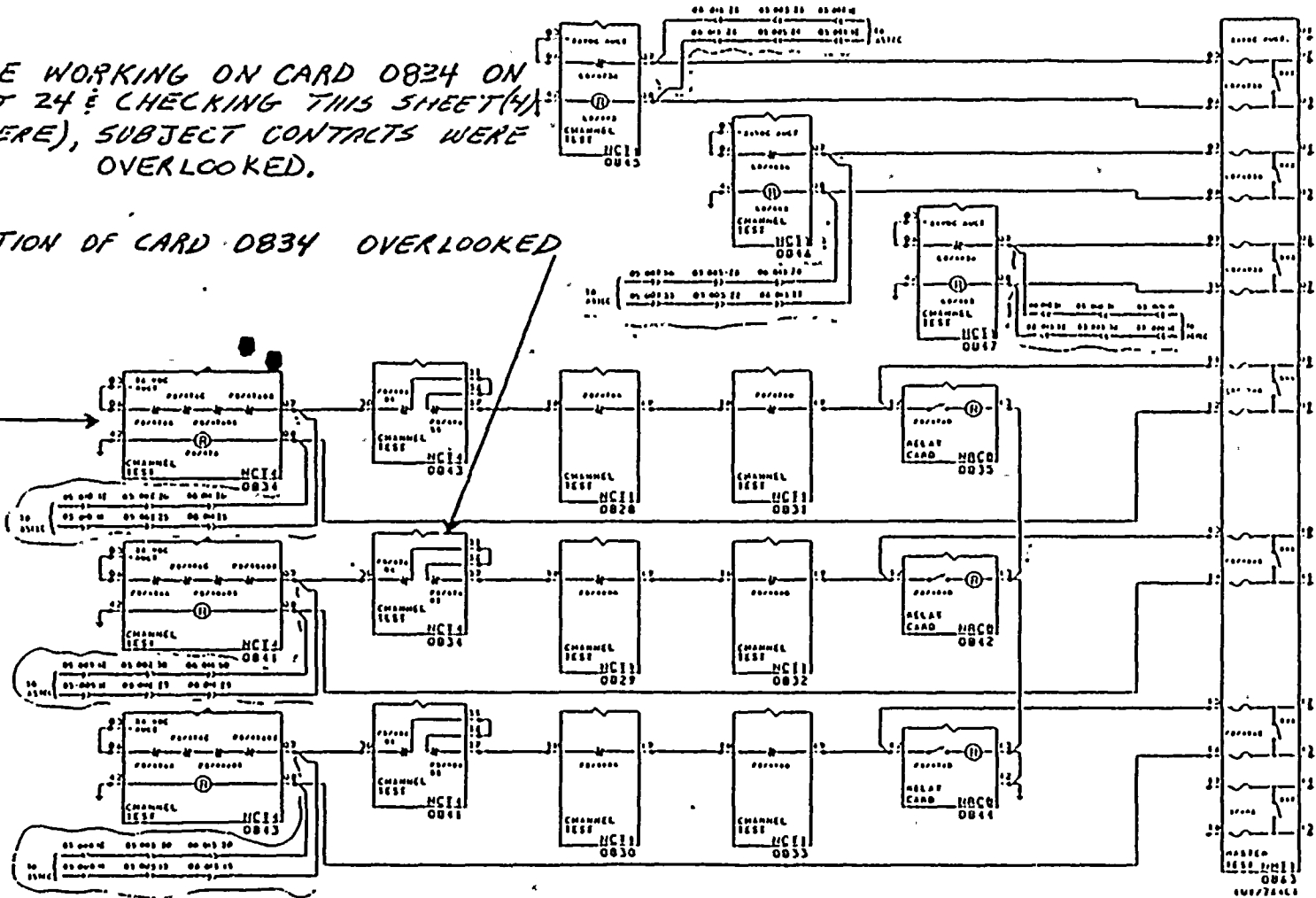
Attachment

cc: Messrs. B. C. Buckley (NRC)
G. Maxwell (NRC-SHNPP)
Dr. J. Nelson Grace (NRC)

1501
11

WHILE WORKING ON CARD 0834 ON SHEET 24 & CHECKING THIS SHEET (4) (ie, HERE), SUBJECT CONTACTS WERE OVERLOOKED.

PORTION OF CARD 0834 OVERLOOKED



SEE NOTE 4 SW. 3

1	2	3	4	5	6	7	8	9	10	11	12	13	14	15	16	17	18	19	20	21	22	23	24	25	26	27	28	29	30	

REVISIONS

NO.	DATE	DESCRIPTION
1		
2		
3		
4		
5		
6		
7		
8		
9		
10		
11		
12		
13		
14		
15		
16		
17		
18		
19		
20		
21		
22		
23		
24		
25		
26		
27		
28		
29		
30		

164-457102

3 LOOP PLANT - NSSS
CHANNEL TEST SWITCH LOGIC

SCHEMATIC OF CARD FRAME OF PAGE 13

WESTINGHOUSE ELECTRIC CORPORATION

164-457102

2775034

