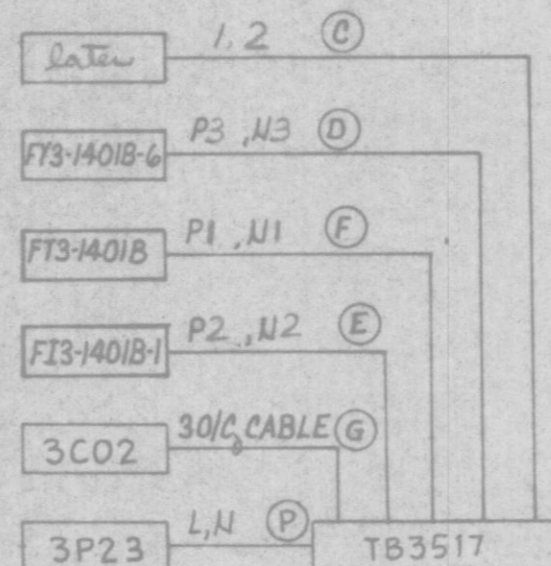


AUX. F.W. LINE A INSTRUMENT LOOP 1401B

SCHEME NO. 3AFWB1

UNIT	EQUIPMENT	SCHEME NO.	S.W. FUSE NO.	LOCATION	CV	CHAN.
3	AUX. F.W. LINE A INSTRUMENT LOOP 1401B	3AFWB1	3P2301	TB3517 3C02 FT3-1401B FI3-1401B-1 FY3-1401B-6	3P23 later	2831 B
3	AUX F.W. LINE B INSTRUMENT LOOP 1457B	3AFWB2	3P2302	TB3517 3C02 FT3-1457B FI3-1457B-1 FY3-1457B-6	3P23 later	2832 B
3	AUX F.W. LINE C INSTRUMENT LOOP 1458B	3AFWB3	3P2303	TB3517 3C02 FT3-1458B FI3-1458B-1 FY3-1458B-6	3P23 later	2833 B
4	AUX F.W. LINE A INSTRUMENT LOOP 1401B	4AFWB1	4P2301	TB4517 4C02 FT4-1401B FI4-1401B-1 FY4-1401B-6	4P23 later	2831 B
4	AUX F.W. LINE B INSTRUMENT LOOP 1457B	4AFWB2	4P2302	TB4517 4C02 FT4-1457B FI4-1457B-1 FY4-1457B-6	4P23 later	2832 B
4	AUX F.W. LINE C INSTRUMENT LOOP 1458B	4AFWB3	4P2303	TB4517 4C02 FT4-1458B FI4-1458B-1 FY4-1458B-6	4P23 later	2833 B

REGULATORY DOCKET FILE COPY

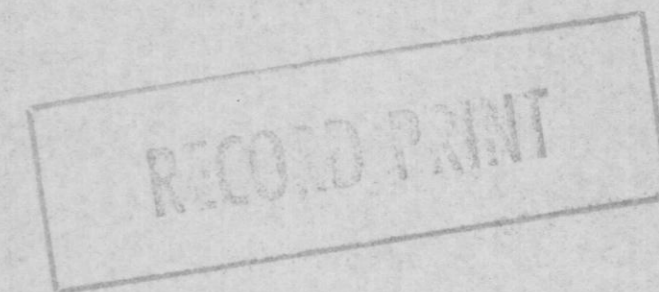


NOTES:

1. ALL SHIELDED CIRCUITS ARE 2C # 16 AWG
2. THIS DRAWING IS NUCLEAR SAFETY RELATED

Docket # 50-250  
Control # 8102090398  
Date 2-03-81 of Document:  
REGULATORY DOCKET FILE

TERA  
APERTURE  
CARD



ISSUED FOR CONSTRUCTION		BY		CHK.	DFT.	ENGR.	APP.
NO.	DATE	REVISIONS	BY	CHK.	DFT.	ENGR.	APP.
BECHTEL							JOB
GAITHERSBURG, MARYLAND							5177

**FLORIDA POWER & LIGHT COMPANY**  
TURKEY POINT NUCLEAR UNITS  
UNIT NO. 3 1970-760 MW INSTALLATION  
UNIT NO. 4 1971-760 MW INSTALLATION

**ELEMENTARY DIAGRAM**  
AUX FEEDWATER FLOW CONTROL  
AND INDICATION

DRAWN	CHKD	DRAFTS	ENGR.	APP.
LAH	ASG	SH	SH	SH
DATE	SCALE	DRAWING NO.		REV.
6-16-80	AS	5177-109-E-05 SH, 2		0

PC/M 80-55/56

FILE NUMBER: 8102090423