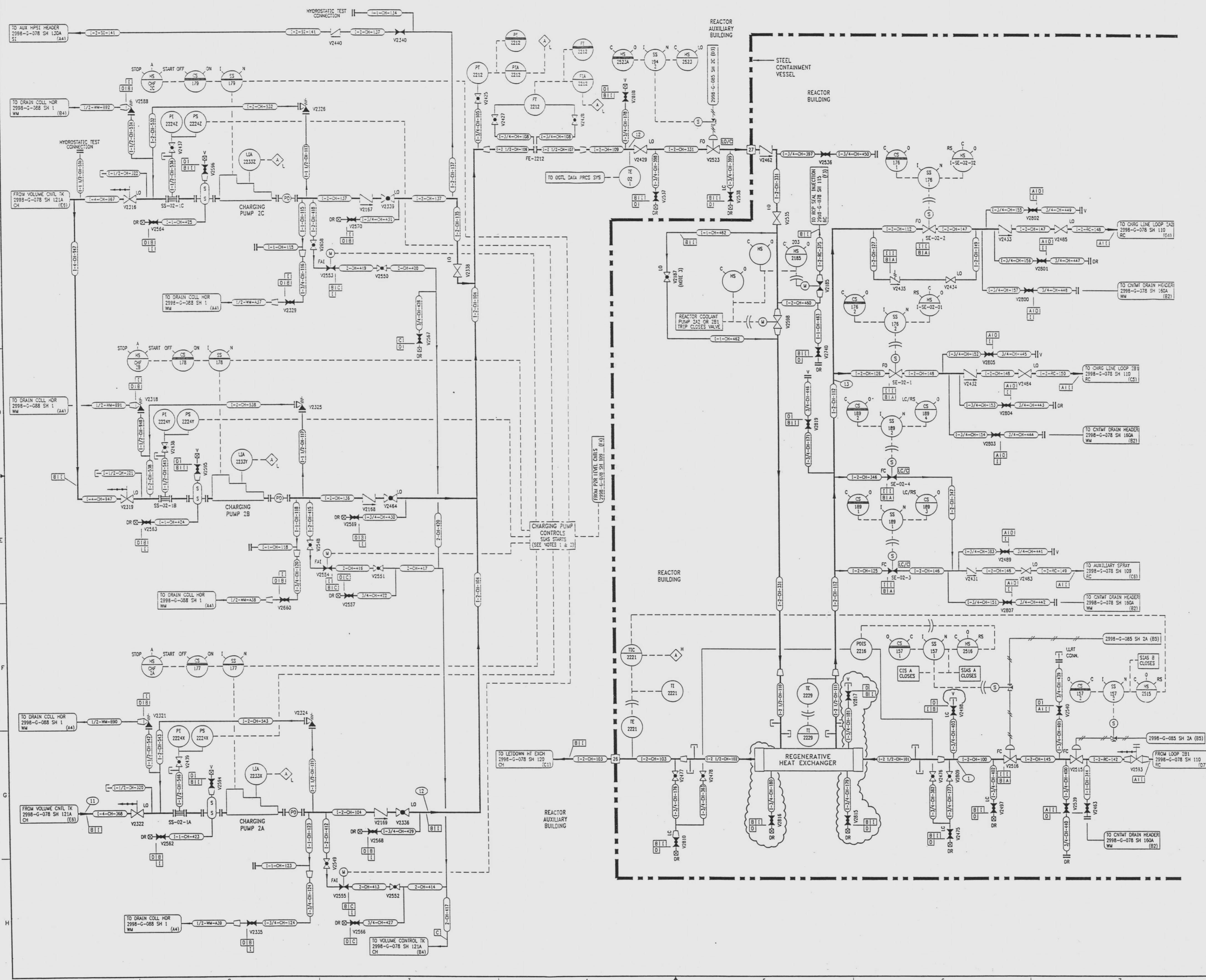


2998-G-078
SH 122



REVISIONS					
NO	DATE	DESCRIPTION	BY	CH	APPROVED
13	7-24-95	BB WUP	BB	WUP	JJZ
COR-SUM-24-157 REDRAWN					
14	2-21-95	GM HS	GM	HS	TWS
SCM 007-255: DEL (6-67) STEM LEAKOFF LINES					
15	1-22-96	GM HS	GM	HS	JJZ
SCM 075-255: ADD (F-7) LRT CONN					
16	10-2-96	GM HS	GM	HS	JRH
SCN 95017-5016: ADD VALVE WOOD LC (S3.05.F6.G6)					
17	11-10-98	GM HS	GM	HS	SHC
SCN 95012-3129: ADD (F8) CLASS BREAK					
18	11/1/99	GM HS	GM	HS	JJZ
COR 95017-5016: (S3) WENT & DRAIN LINES TO SHELL SIDE. DEL (F8) QUICK CONNECTS. ADD (F8) PLUGS.					

INFORMATION ONLY
VERIFY WITH A CONTROLLED COPY BEFORE USE.

- NOTES
- WHEN OPERATING FROM THE CONTROL ROOM WITH SELECTOR SWITCH IN "NORMAL" AND AN SIAS OCCURS WITH A LOSS OF OFFSITE POWER:
 - THE RUNNING PUMP STOPS THEN RESTARTS AUTOMATICALLY IN ZERO MINUTES AFTER ITS RESPECTIVE EMERGENCY DIESEL GENERATOR BREAKER CLOSES.
 - THE PUMP IN LEVEL CONTROL STARTS AUTOMATICALLY IN ZERO MINUTES AFTER ITS RESPECTIVE EMERGENCY DIESEL GENERATOR BREAKER CLOSES.
 - THE PUMP IN THE "OFF" POSITION REMAINS OFF.
 - WHEN OPERATING FROM THE CONTROL ROOM WITH SELECTOR SWITCH IN "NORMAL" AND AN SIAS OCCURS WITH OFFSITE POWER AVAILABLE:
 - THE RUNNING PUMP REMAINS ON.
 - THE PUMP IN LEVEL CONTROL STARTS AUTOMATICALLY (NO TIME DELAY).
 - THE PUMP IN THE "OFF" POSITION REMAINS OFF.
 - VALVE TO BE LOCKED IN THROTTLED POSITION AFTER FLOW RATE IS ESTABLISHED.

REFERENCE DRAWINGS

PIPE VALVE & INSTRUMENT SYMBOLS	2998-G-078 SH 100
VALVE LIST	2998-G-078 SH 101
LINE LIST	2998-G-078 SH 102
VALVE OPERATIONAL NUMBER INDEX	2998-G-078 SH 103
INSTRUMENT INSTALLATION DETAILS	2998-G-078 SH 104
INSTRUMENT LIST	2998-G-078 SH 105

NOTE:
THIS DRAWING IS MADE FROM REV. 12
OF DRAWING: 2998-G-078 SH 122

REVISION OF THIS DRAWING MAY REQUIRE UPDATE OF THE FOLLOWING DOCUMENT: FSAR FIGURE 9.3-5c

NUCLEAR SAFETY RELATED IN PART ONLY

FLORIDA POWER & LIGHT COMPANY
ST LUCIE PLANT
1983 - 890 Mwe EXTENSION - UNIT 2
FLOW DIAGRAM
CHEMICAL & VOLUME CONTROL SYSTEM

SCALE: NONE	APPROVAL	DATE:
DR: MDC		2998-G-078
DR: B. BLUM		122
CH: M. P. PHREY		18

9999999999 -23 E

APERTURE CARD