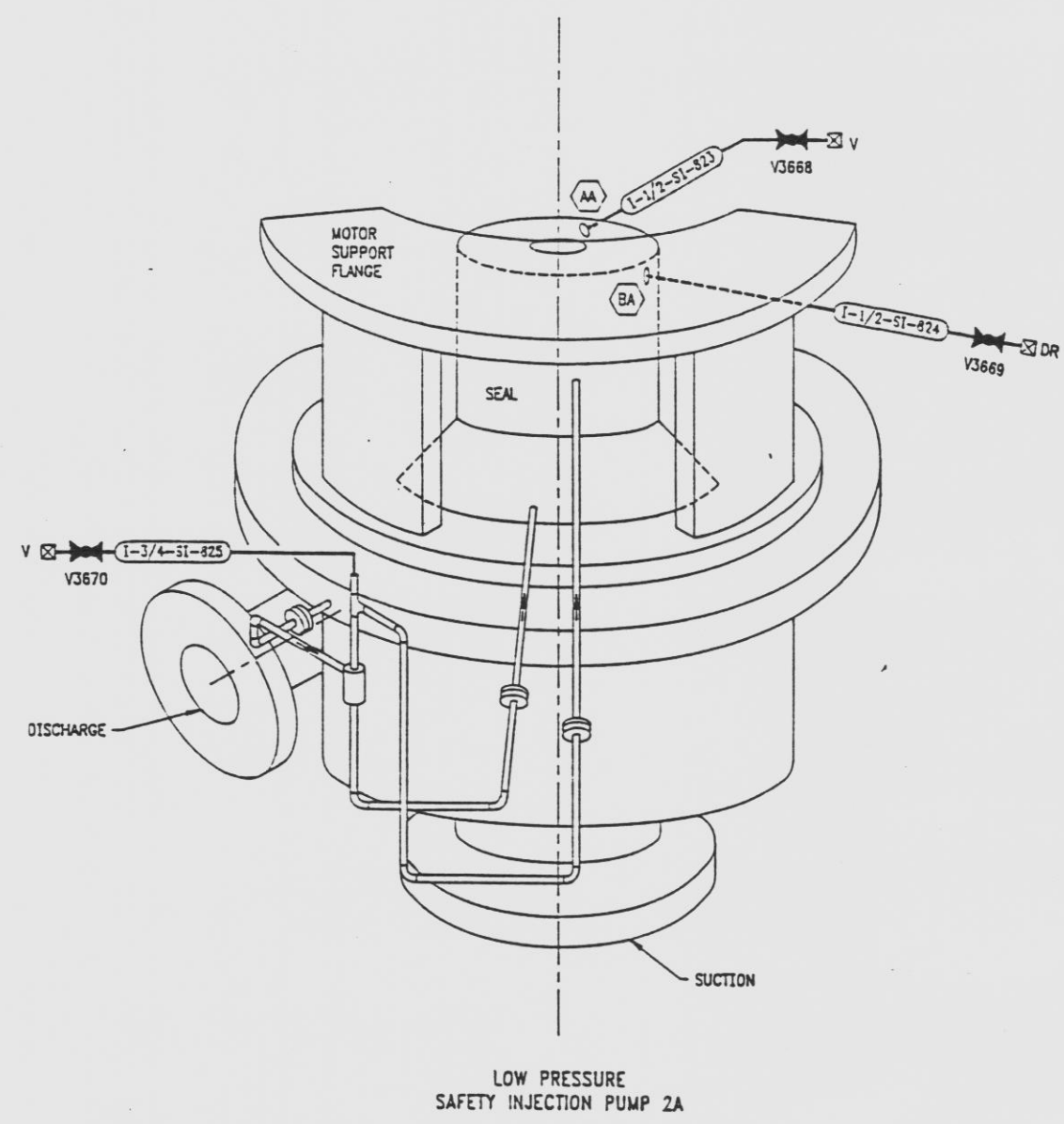
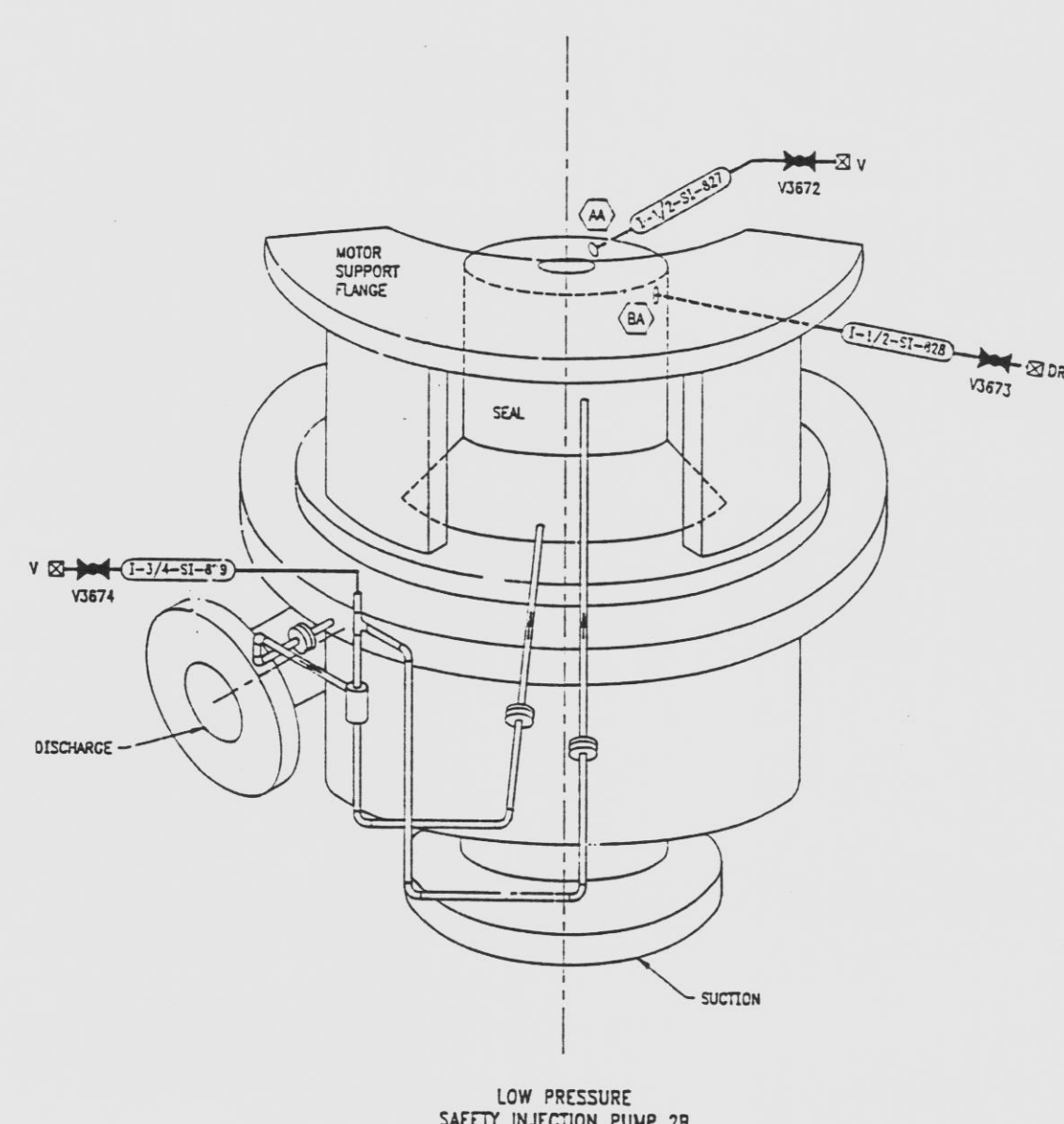


2998-G-078
SH 105A

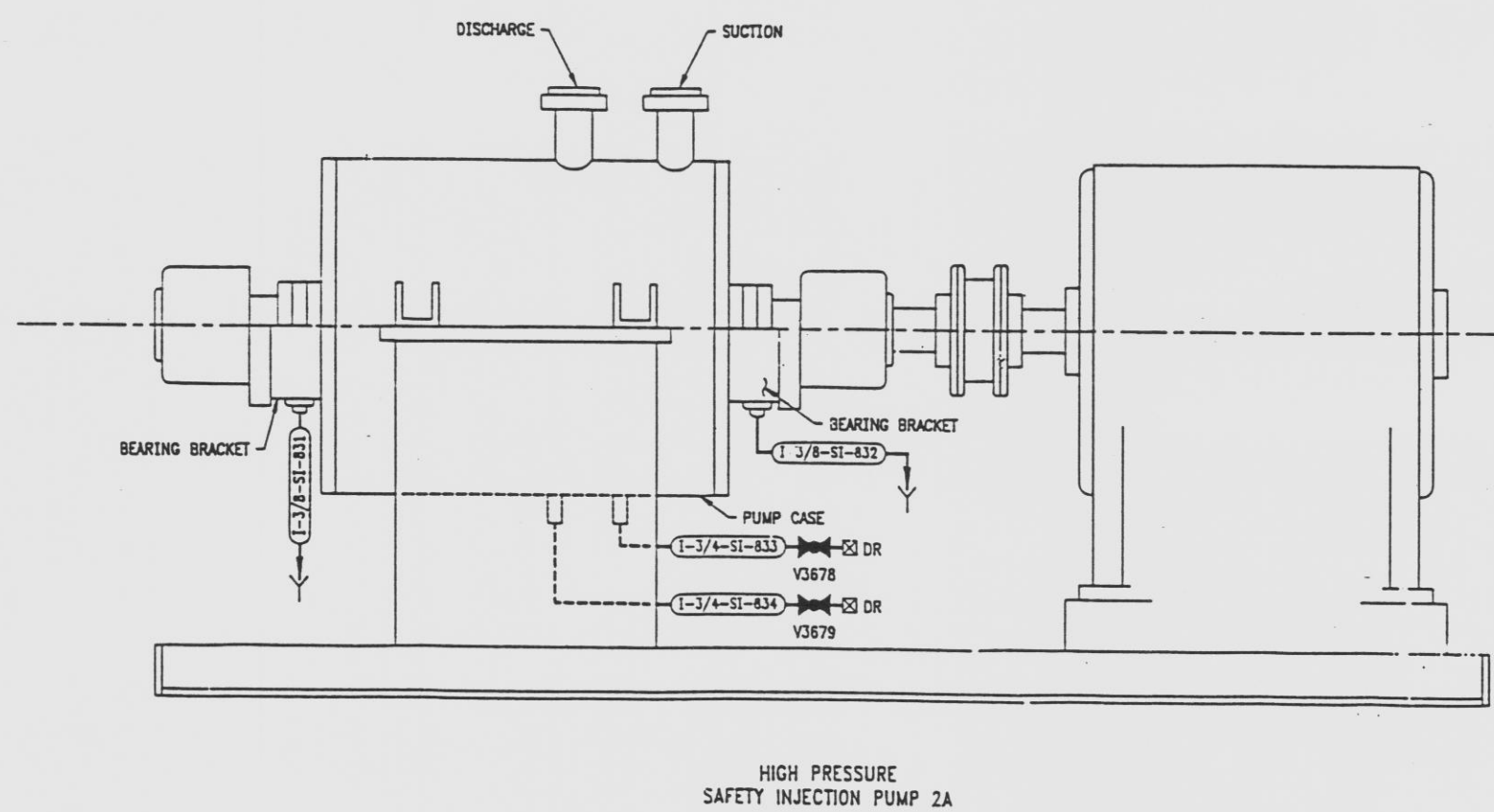
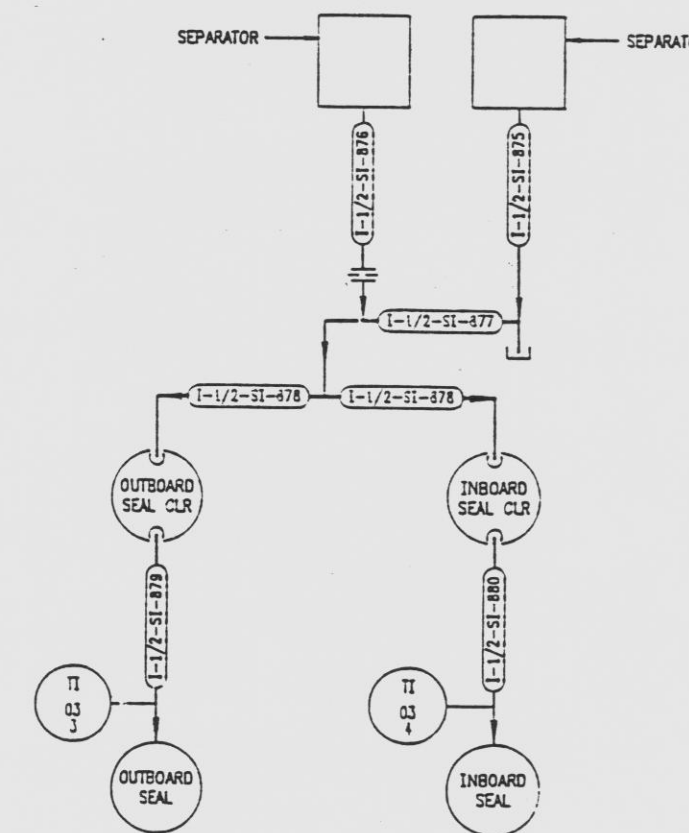
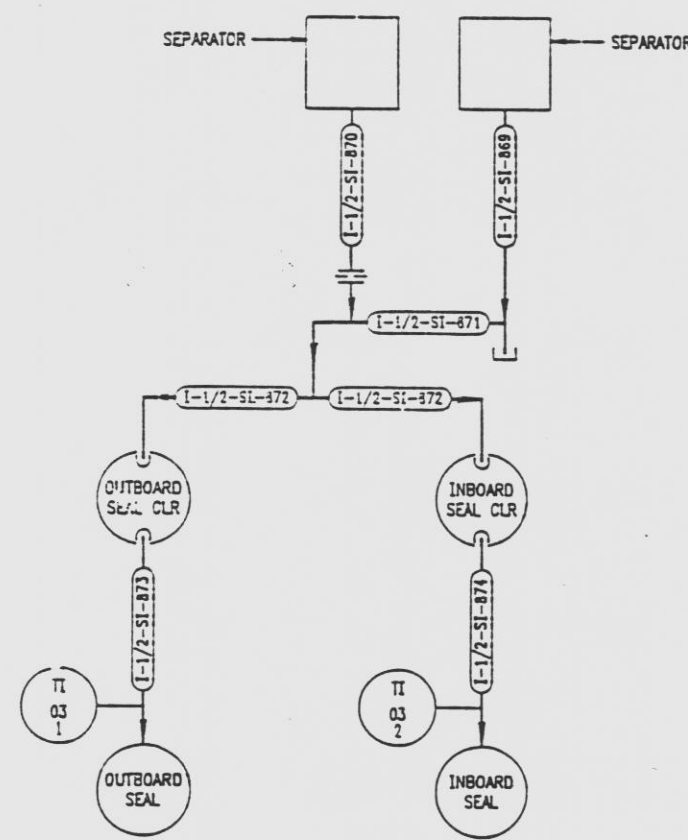
REVISIONS				
NO	DATE	DESCRIPTION	BY	CH APPROVED
11	11-11-83	REDRAWN	CUS	CWC



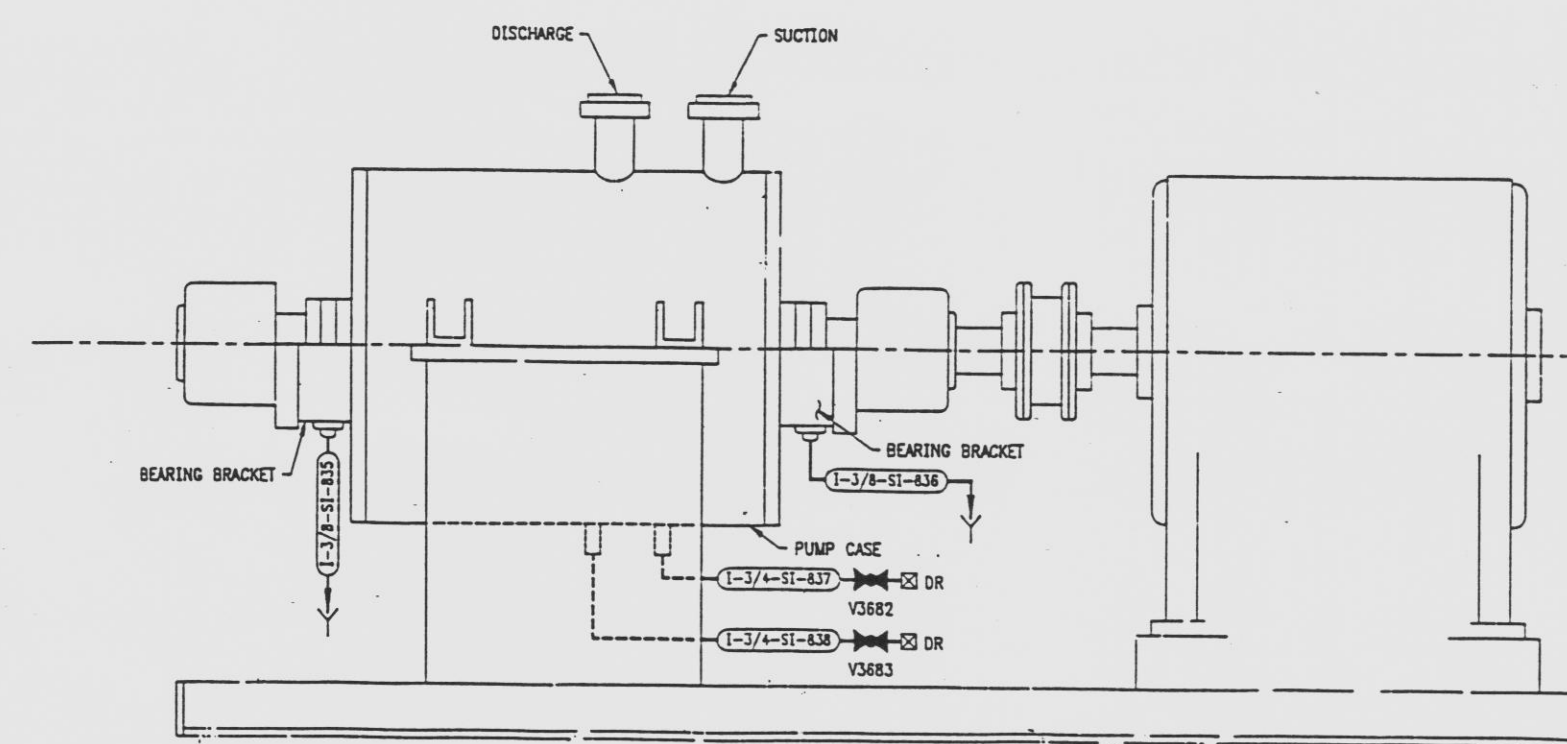
LOW PRESSURE
SAFETY INJECTION PUMP 2A



LOW PRESSURE
SAFETY INJECTION PUMP 2B



HIGH PRESSURE
SAFETY INJECTION PUMP 2A

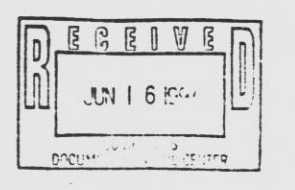


HIGH PRESSURE
SAFETY INJECTION PUMP 2B

REFERENCE DRAWINGS

PIPE, VALVE & INSTRUMENT SYMBOLS	2998-G-078 SH 100
VALVE LIST	2998-A-051
LINE LIST	2998-B-025
VALVE OPERATIONAL NUMBER INDEX	2998-B-057A
INSTRUMENT INSTALLATION DETAILS	2998-B-211
INSTRUMENT LIST	2998-B-170C

INFORMATION ONLY
VERIFY WITH A CONTROLLED COPY BEFORE USE.



NOTE: THIS DRAWING IS MADE FROM REV. 10 OF DRAWING 2998-G-078 SH 105.

REVISION OF THIS DRAWING MAY REQUIRE UPDATE OF THE FOLLOWING DOCUMENT: FSAR FIGURE 1.2-34

NUCLEAR SAFETY RELATED IN PART ONLY

FLORIDA POWER & LIGHT COMPANY
ST LUCIE PLANT
1983 - 890 MW EXTENSION - UNIT 2
FLOW DIAGRAM
AUXILIARY PUMPS

RAYTHEON ENGINEERS & CONSTRUCTORS, INC.

SCALE: NONE	APPROVAL	DATE
DR: S. GLATT		2998-G-078
CHK: SUNNINGSHAW		SHEET 111

DRAWING NUMBER
2998-G-078
SH-105A

DRAWING NUMBER
2998-G-078
SH-105A

DRAWING NUMBER
2998-G-078
SH-105A

NUMBER
2998-G-078
SH-105A

999999999-13 E

APERTURE CARD