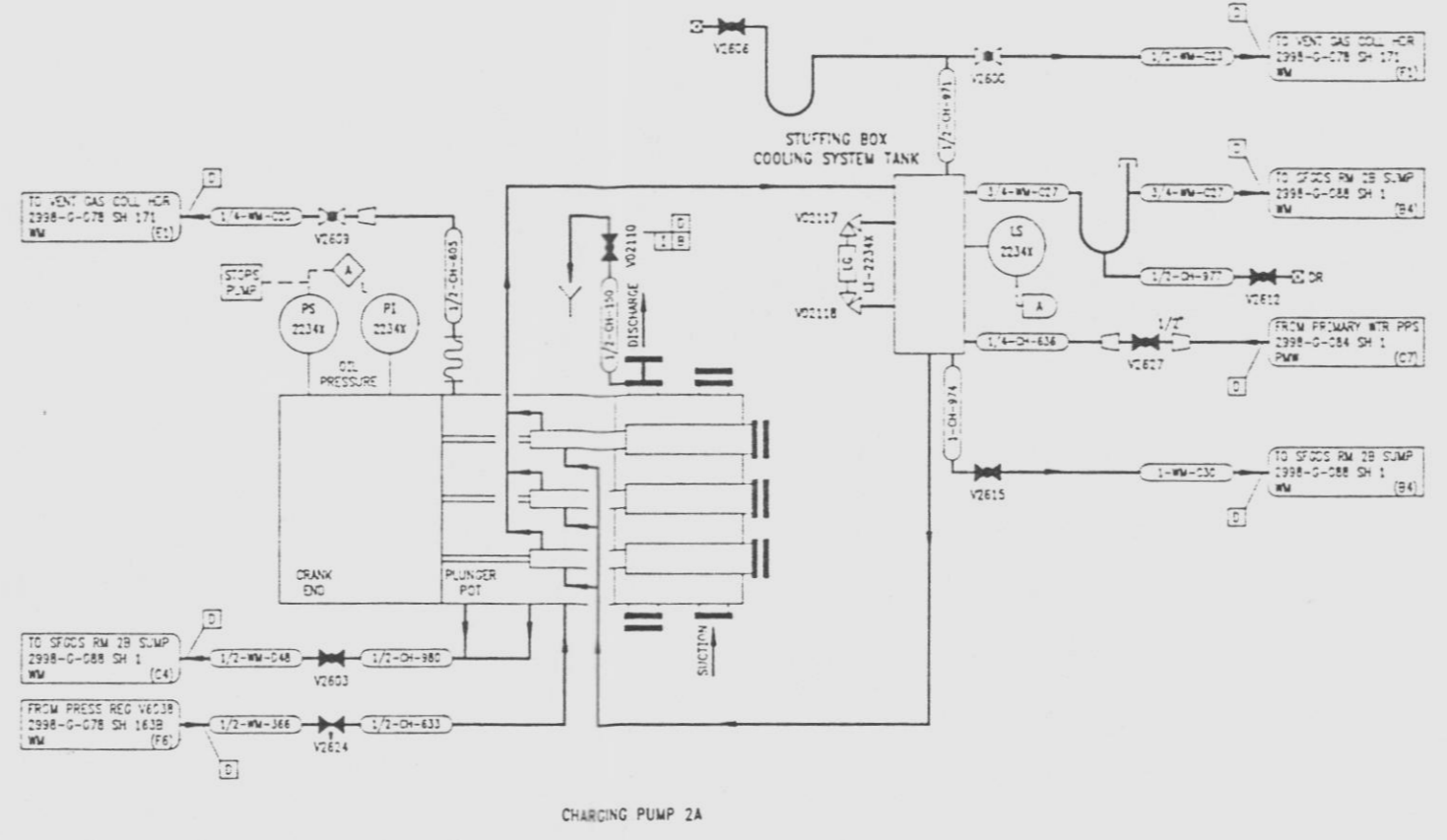
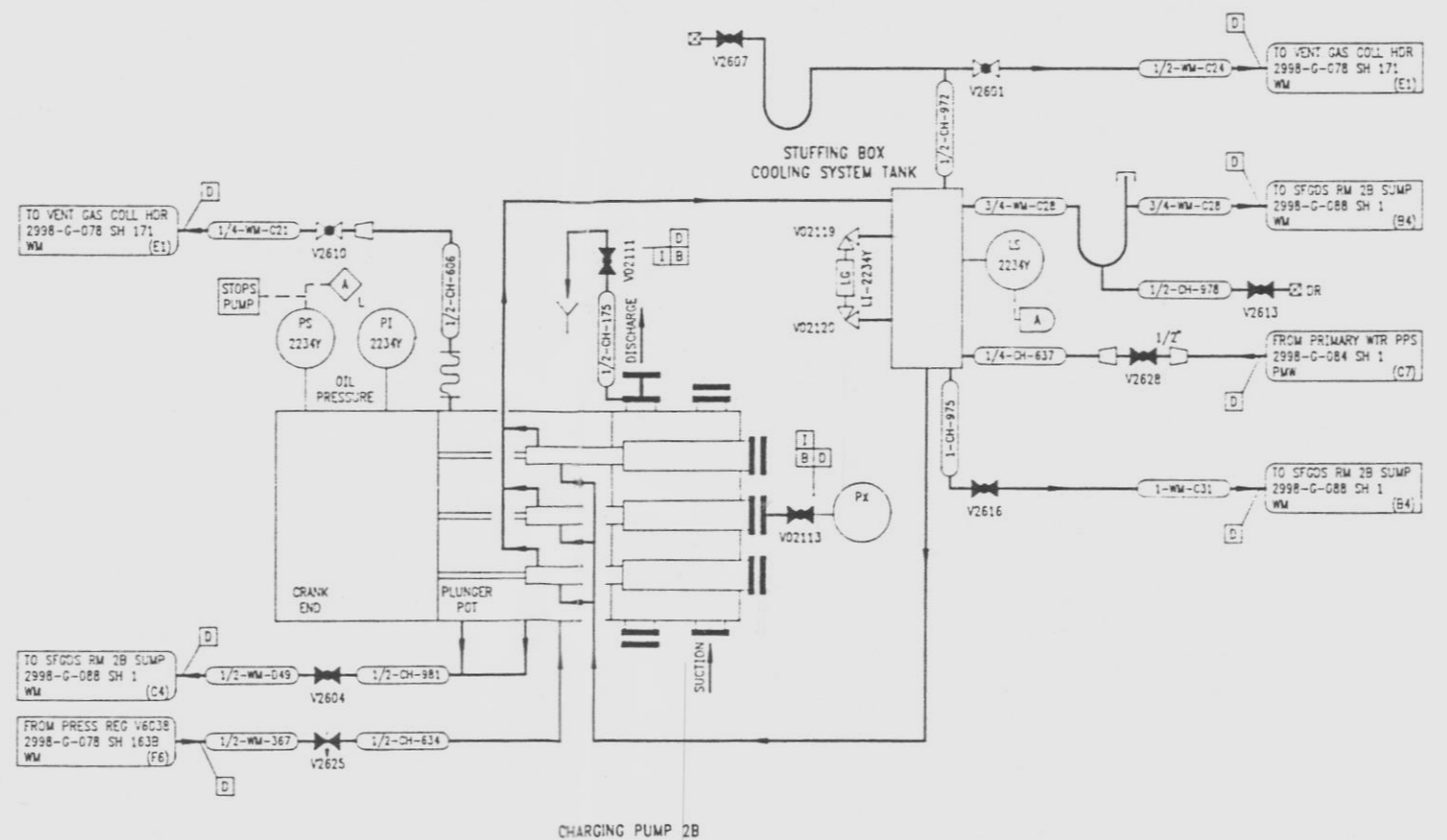


2998-G-078
SH 1058

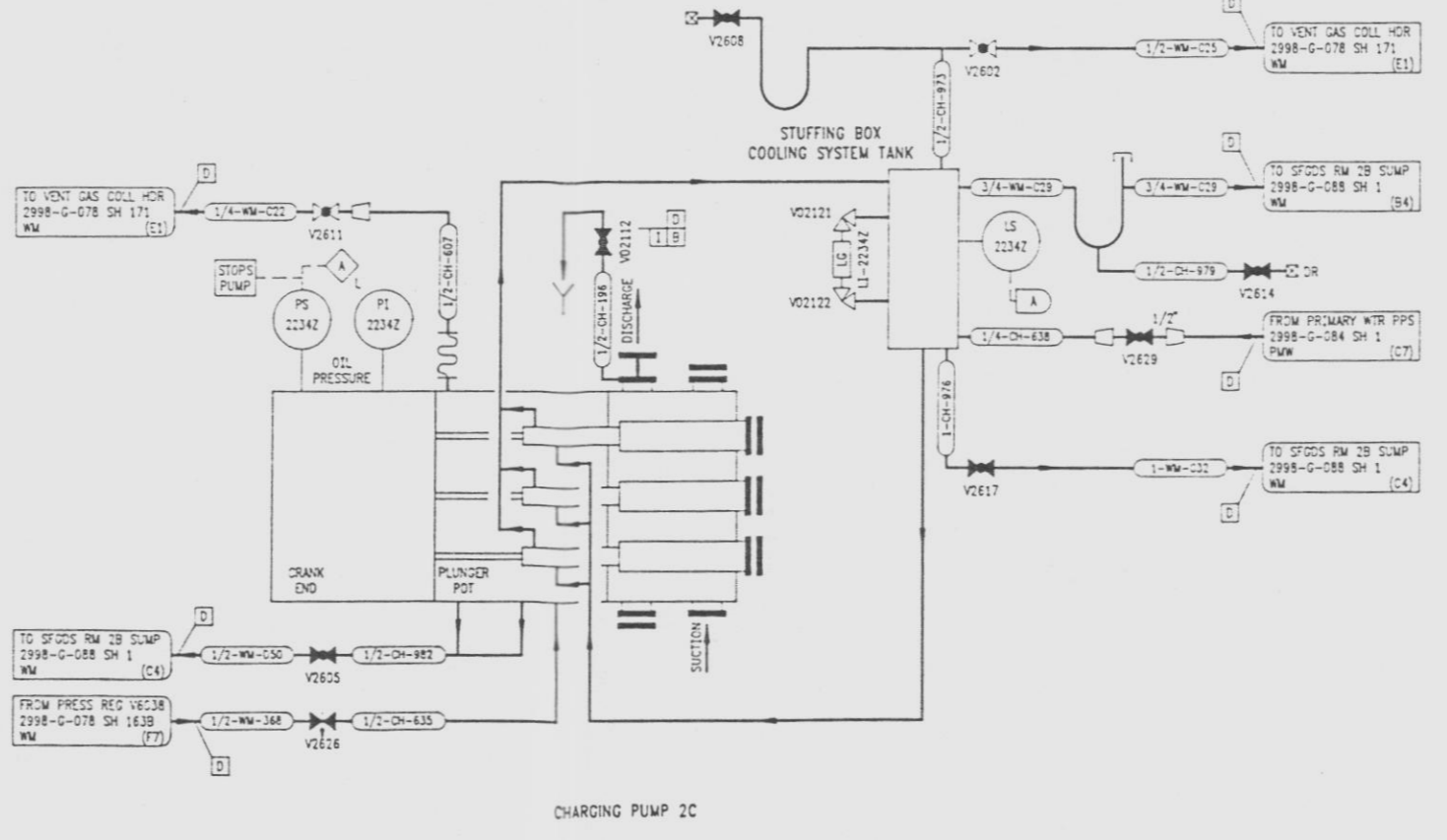
REVISIONS				
NO.	DATE	DESCRIPTION	BY	APPROVED
11	11-1-83	REVISED	BB	LAC
2998-G-078 SH 1058				



CHARGING PUMP 2A



CHARGING PUMP 2B



CHARGING PUMP 2C

REFERENCE DRAWINGS

PIPE VALVE & INSTRUMENT SYMBOLS	2998-G-078 SH 100
VALVE LIST	2998-A-001
LINE LIST	2998-B-002
VALVE OPERATIONAL NUMBER INDEX	2998-B-007A
INSTRUMENT INSTALLATION DETAILS	2998-B-231
INSTRUMENT LIST	2998-B-2700

NOTE:
THIS DRAWING IS MADE FROM REV. 10
OF DRAWING 2998-G-078 SH 1058.

REVISION OF THIS DRAWING MAY REQUIRE UPDATE OF
THE FOLLOWING DOCUMENTS: FSAR FIGURE 1.2-34

**NUCLEAR SAFETY RELATED
IN PART ONLY**

FLORIDA POWER & LIGHT COMPANY
ST LUCIE PLANT
1983 - 890 MW EXTENSION - UNIT 2
FLOW DIAGRAM
AUXILIARY PUMPS

RAYTHEON ENGINEERS & CONSTRUCTORS, INC.	
SCALE: NONE	APPROVAL DATE:
DR: MFC	2998-G-078
DR: B. J. MUM	SHEET
DR: J. J. MUM	1058

9607170092 -26

2998-G-078 SH 1058

D