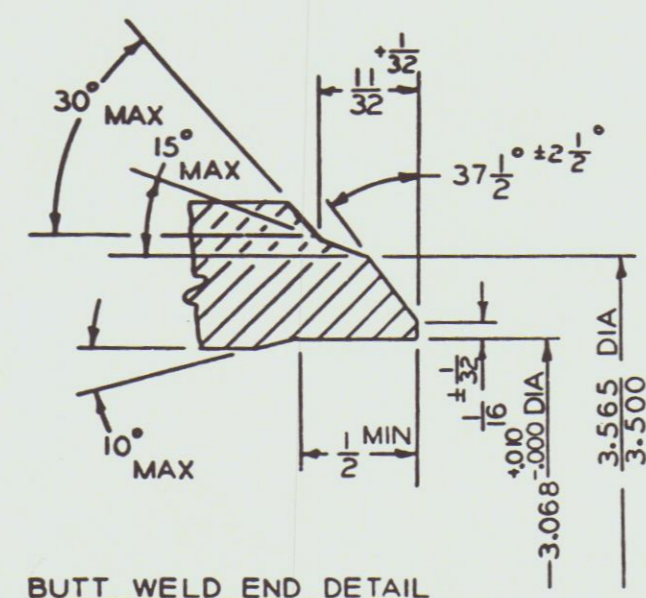
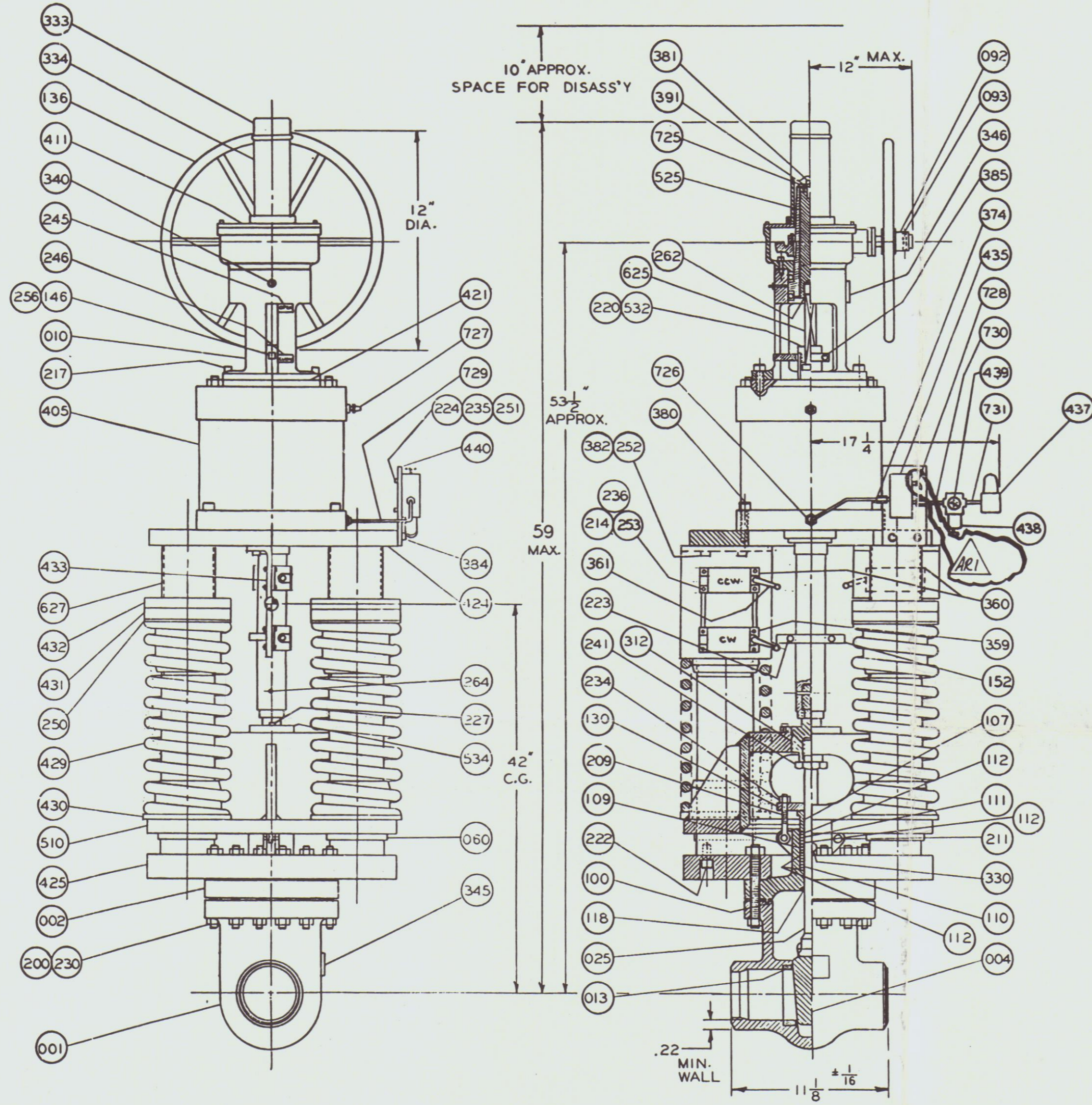


I certify that the image contained on this frame was made in the normal and regular course of business, on the date stated below and that it is an accurate reproduction of the document submitted to Micrographics.

9/10/90  
 [Signature]  
 Camera Operator

24X  
 [Signature]  
 Microfilming Witness



ANSTEC APERTURE CARD

EAID: 13JRDBUV0024

DISTRIBUTION TO: FOR REVIEW INFO	
MECHANICAL	
BALANCE OF PLANT	
BOILER/NSSS	
PLANT UTILITIES	
PLANT DESIGN	
CONTROL SYSTEMS	
ELECTRICAL	
WIRING	
CONDUIT	
MOS	
PAINTING & COATINGS	
CIVIL/STRUCTURAL	
NUCLEAR	
STRESS	
ARCHITECTURAL	
STARTUP	
CONSTRUCTION	
NOT REQ'D BY ENGRG	
CLIENT	
IDENTIFYING TITLE OF THIS DOCUMENT:	
SAME	

OCT 1 1985

E6374	130	211	1-J-RDB-UV-24	Q1B
SJO NC.	QTY.	ITEM MARK NO.	MASTER VALVE TAG NO PREFIX 283 FOR UNIT 2&3	PROJECT CLASS
ANCHOR/DARLING VALVE CO.			ARIZONA PUBLIC SERVICE COMPANY P.O. NO. 10407-13-PM-22:B	
PALO VERDE NUCLEAR GENERATING STATION UNITS 1,2,& 3				
ANCHOR / DARLING VALVE COMPANY WILLIAMSPORT, PA. U. S. A. 17701				
3'-150" WELD ENDS STAINLESS STEEL GATE VALVE, 10" AIR CYLINDER, 2:1 BEVEL GEAR OPERATOR, FAIL CLOSE				

FOR REVISIONS SEE SHEET 2	DRAWN T.M.F.	CHECKED DEC 12-4-78	APPROVED P.P.C. 12-29-78	ASSEMBLY DWG. NO. 93-15198	REV. E
REVISIONS				SHEET 1 OF 2	

SJO E6374-46 SJO 5746-154

INTERNAL CONTROL NO. 18601-273-42-VEN-014					
DATE 12/23/90	BY [Signature]	FOR [Signature]	DATE 12/23/90	BY [Signature]	FOR [Signature]
ARCH	MECH	ELEC	P.D.	CONTR	LICEN

P221B-203-67  
**IMPORTANT**  
 Permission to proceed does not constitute acceptance or approval of design details, calculations, analyses, test methods, materials developed or selected by the supplier and does not relieve supplier from full compliance with contractual obligations.  
 DATE RECEIVED 10/14/85  
 SIGNED [Signature]  
 DATE 11/23/85  
 WORK MAY PROCEED.  
 REVISIONS AND RESUBMIT.  
 WORK MAY PROCEED SUBJECT TO INCORPORATION OF CHANGES INDICATED.  
 REVISIONS AND RESUBMIT.  
 WORK MAY NOT PROCEED.  
 INFORMATION ONLY.  
 DISTRIBUTION REQ'D? YES

9806190147

AR NO.	AR DATE	REVISION DESCRIPTION	NOTES	ORIG.	CHECKED	BY	QA	REV
1	11/23/89	INCORP SDEN#508138		L3	BECHTEL	RECEIVED	MAR	

\*1. INDICATE YES OR NO IF SUPPLIER DOCUMENT MUST BE RESUBMITTED. ASSIGN CORRECT STATUS ABOVE.  
 \*\*2. INDICATE APPLICABLE UNIT NUMBER(S)

MAY NOT BE SUITABLE FOR REPRODUCTION 01806190147

D

50-528  
 9806090338  
 6/4/98