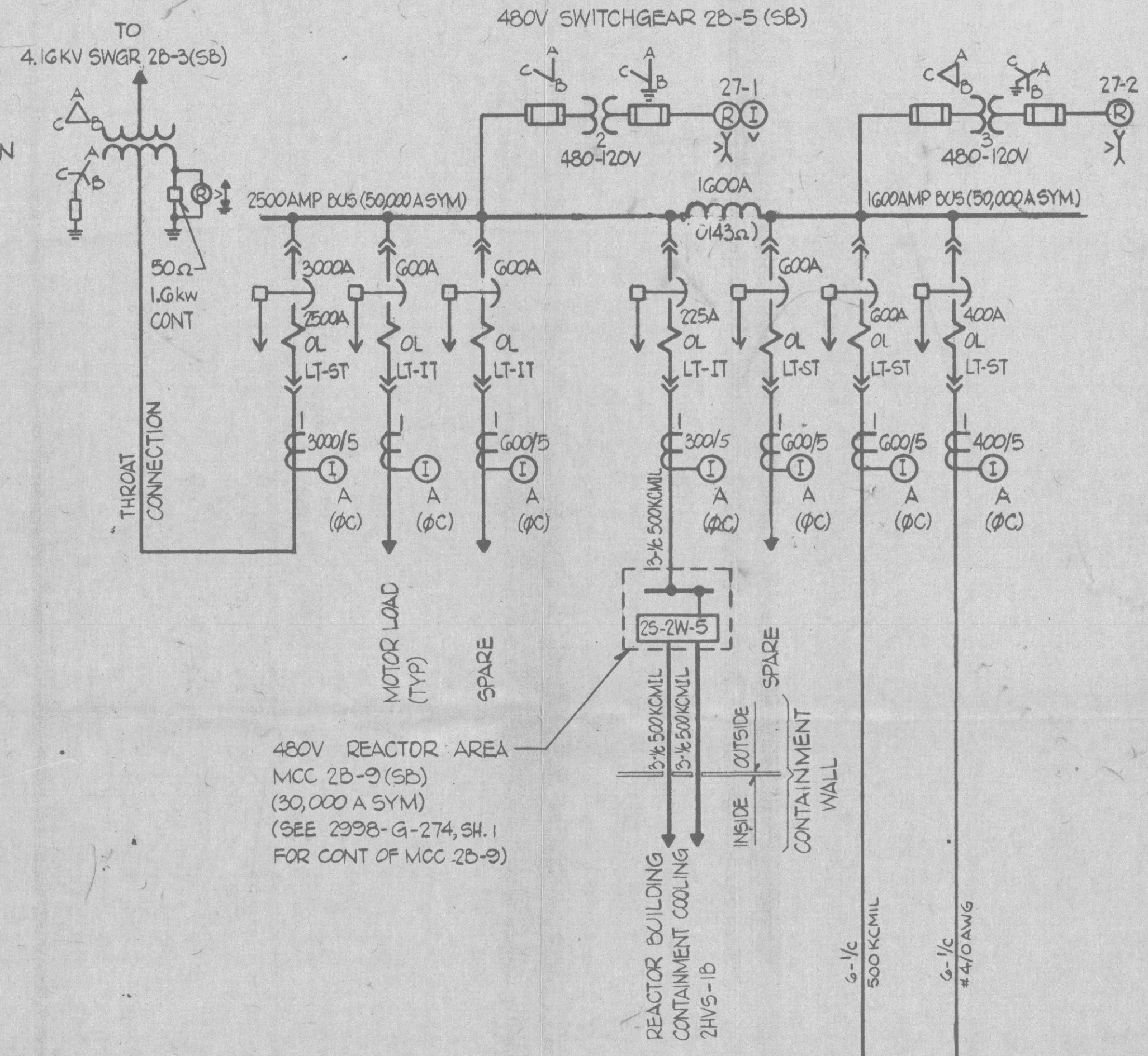
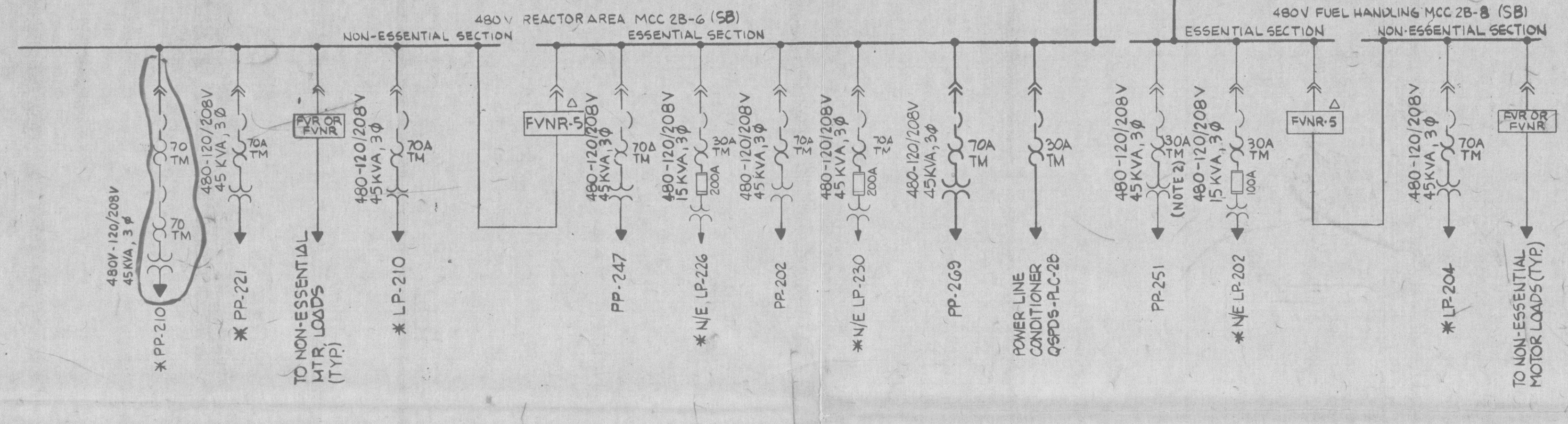
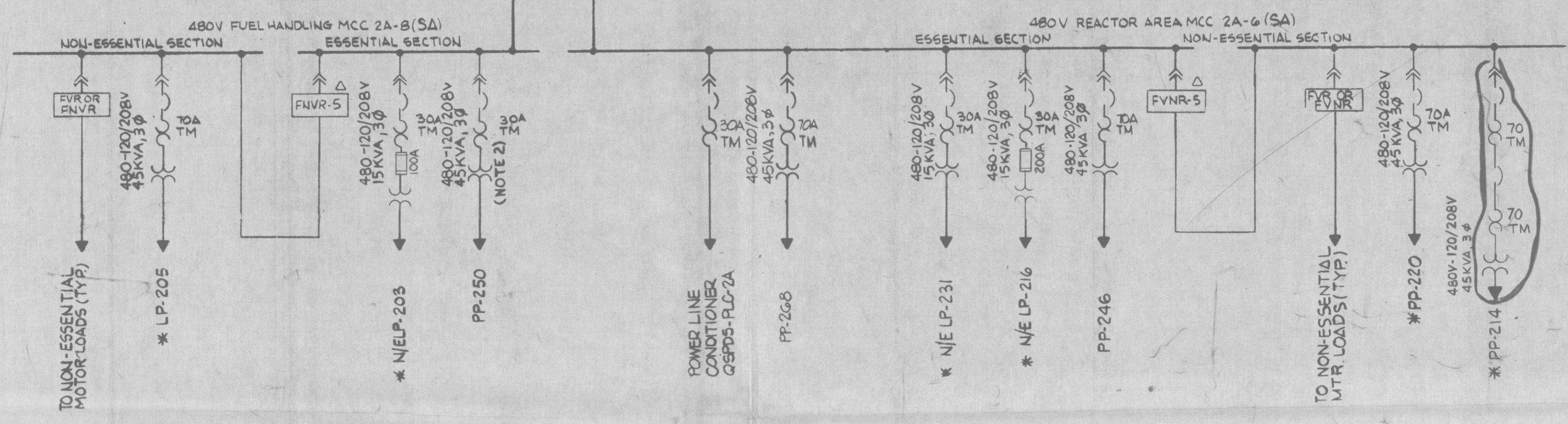


STATION SERVICE TRANSFORMER 2A-5
 1500/1725 KVA OA/FA 55°C
 1680/1933 KVA OA/FA 65°C, 3φ, 60Hz SILICON
 4260/4260/4160/4055/3960-480V
 Z=8.43% ON 1500 KVA BASE
 (SEE NOTE 3)

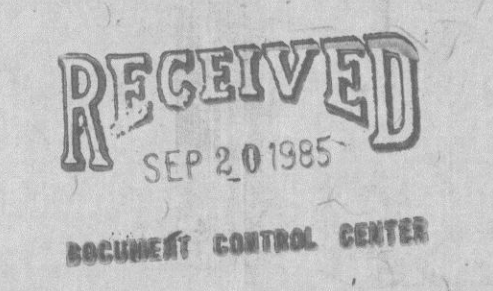


STATION SERVICE TRANSFORMER 2B-5
 1500/1725 KVA OA/FA 55°C
 1680/1933 KVA OA/FA 65°C, 3φ, 60Hz SILICON
 4260/4260/4160/4055/3960-480V
 Z=8.43% ON 1500 KVA BASE
 (SEE NOTE 3)



- NOTES
- FOR GENERAL NOTES, SYMBOLS & REFERENCE LEGENDS SEE DWG 2998-G-274.
 - FULL CAPACITY OF TRANSFORMERS ASSOCIATED WITH PP-250 & 251 MAY NOT BE UTILIZED UNLESS BOTH TRANSFORMER PRIMARIES ARE UPSIZED. THESE CIRCUIT BREAKERS AND CABLES ARE ADEQUATELY SIZED TO SUPPLY PRESENT LOAD REQUIREMENTS.
 - STATION SERVICE TRANSFORMERS 2A-5 & 2B-5 SHALL BE SET AT 4055-V TAP.
 - ALL POWER PANEL TRANSFORMERS SHALL BE SET AT THE 465-V TAP.

Docket # 50-335
 Contract # 88060201-96
 Date 4/30/85 of Document
 REGULATORY DOCKET FILE



ST APERTURE CARD

NUCLEAR SAFETY RELATED

THIS DOCUMENT IS THE PROPERTY OF EBASCO SERVICES INCORPORATED. ITS USE IS EXPRESSLY RESTRICTED BY THE TERMS OF THE CONTRACT, DATED AS OF SEPT. 1, 1975 BETWEEN EBASCO SERVICES INCORPORATED AND FLORIDA POWER & LIGHT COMPANY.

FLORIDA POWER & LIGHT COMPANY
 ST. LUCIE PLANT
 1983-800 MW(e) EXTENSION - UNIT NO. 2
 AUXILIARY ONE LINE DIAGRAM
 SH. 2

NO.	DATE	REVISION	BY	CHK.	APPROVED
3	9/10/85	REVISED: PP-214 (G8), PP-210 (G11) & NOTE 4 (I16, I19); PER PCM 015-283			
2	8-6-85	ADDED: FUSES (G2, G6, G14, G15, G17); BKRS (G8 & G11); PER PCM 015-283			
1	9-12-83	A. SCHILDKRAUT, PE 0029986 ADDED: MCC FEEDER (D5, D16, G4, G16); NOTES (D6, B1, I16) DELETED: MCC FEEDER (F5)			

EBASCO SERVICES INCORPORATED
 APPROVED: [Signature]
 DATE: Jul 23, 1982
 DIV. ELEC.
 DR. RAMOS
 2998-G-274
 SH.2