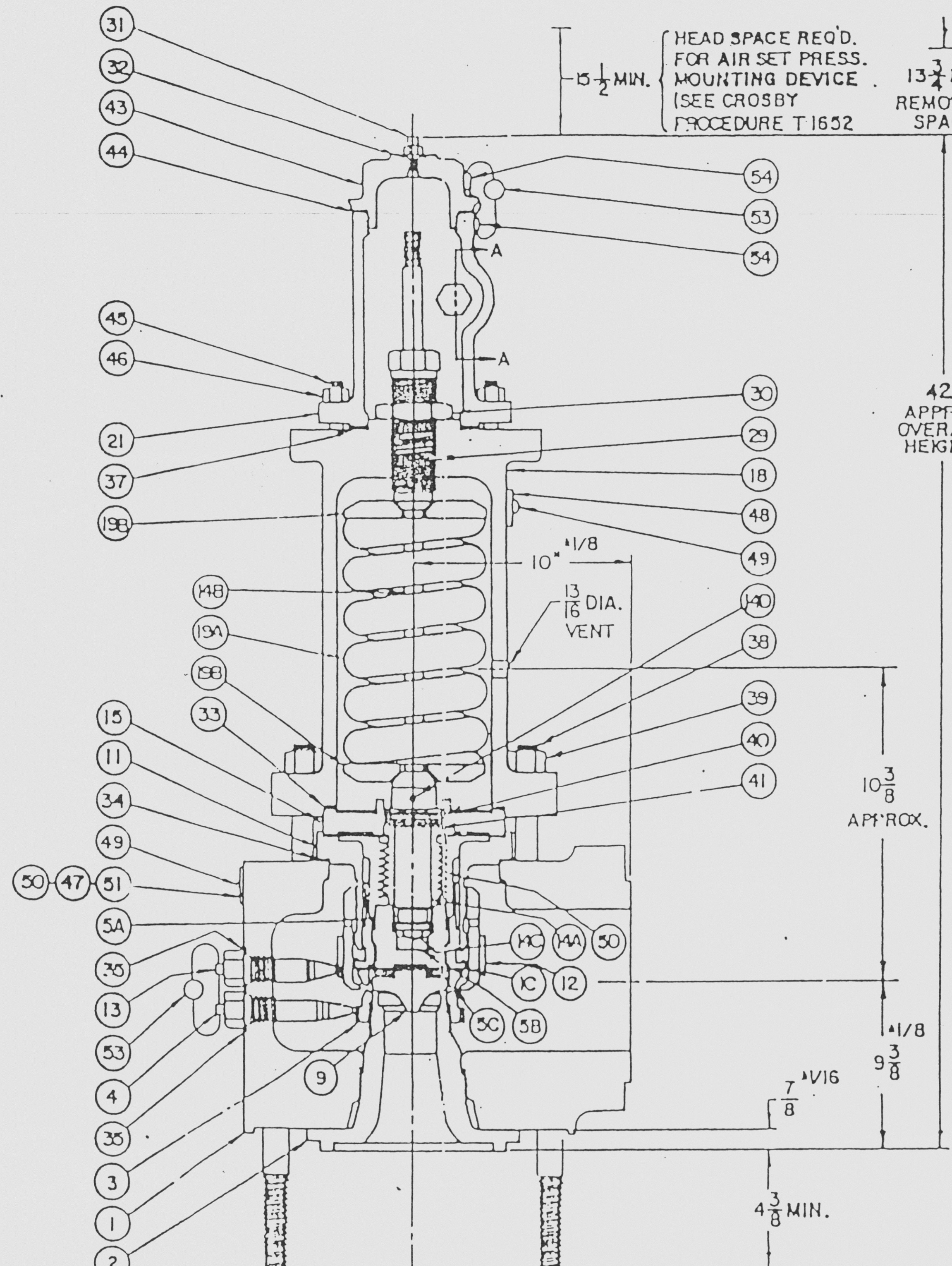


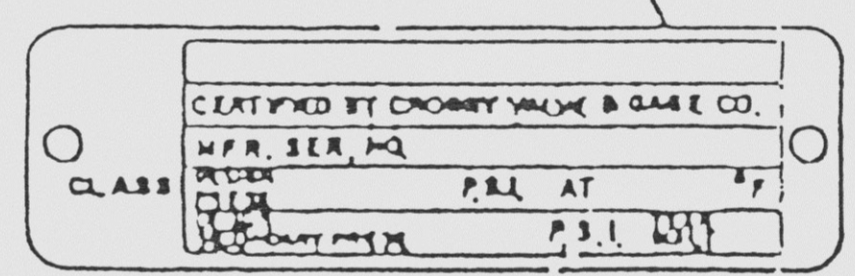
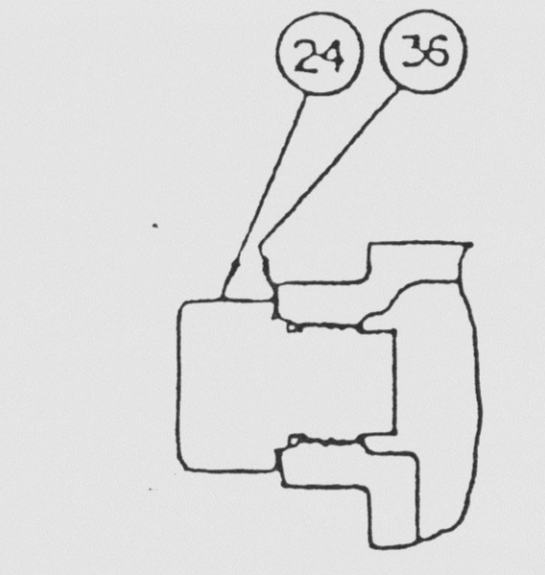
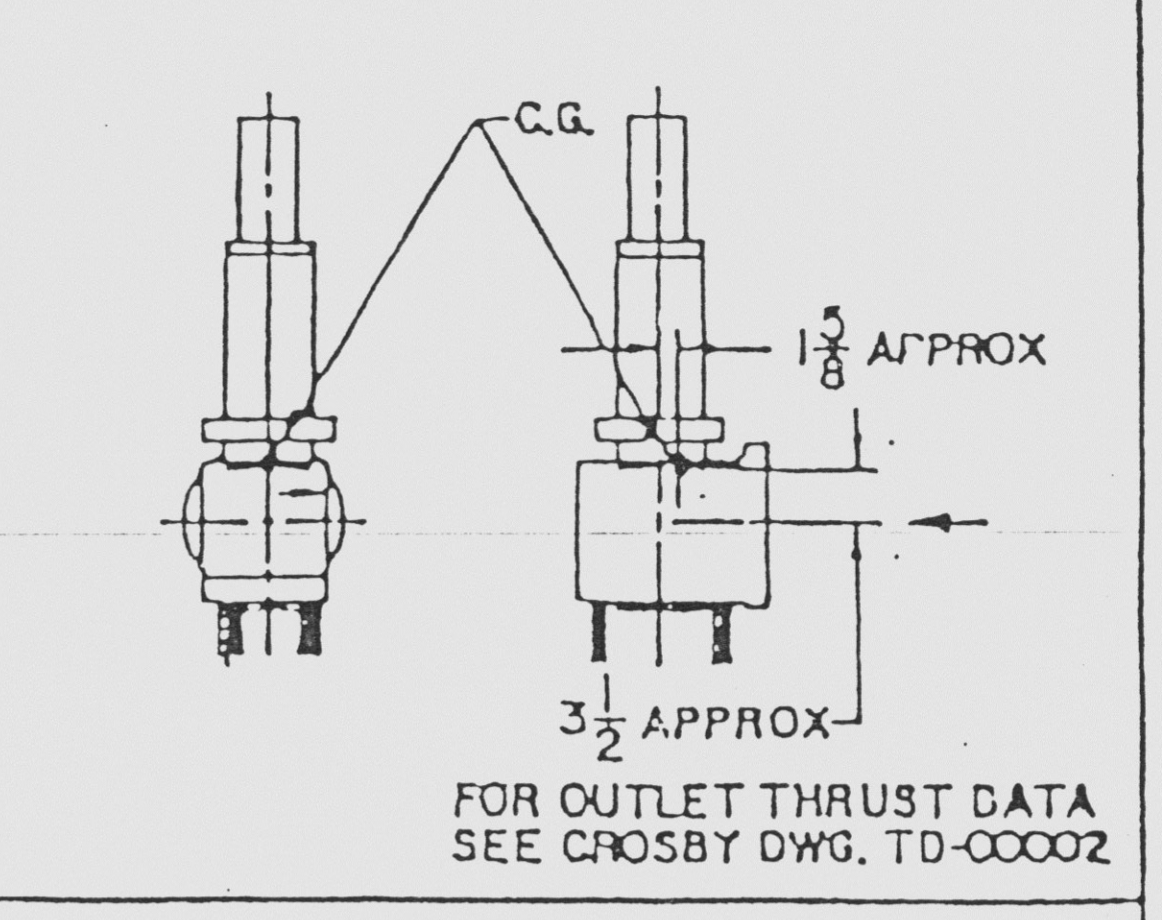
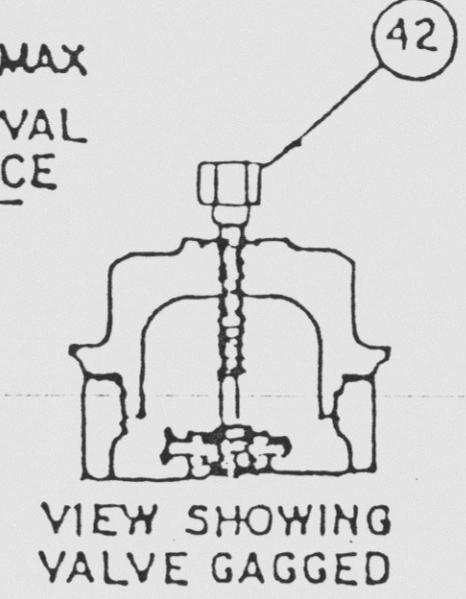
REV	DESCRIPTION	BY	CHK	APPROVED
A	REVISED PER DCO 96-208, 31 JAN 96	RB		<i>[Signature]</i>
B	SEE SHEET 2 FOR REV DCO 96-227, 26 MAR 96	RB		<i>[Signature]</i>



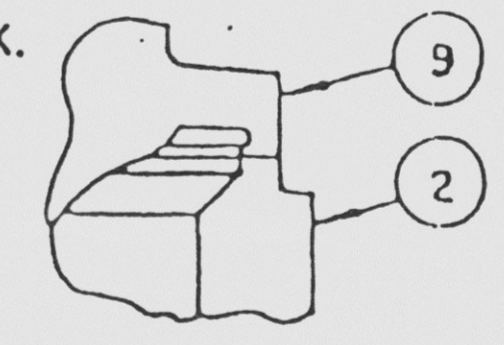
HEAD SPACE REQ'D. FOR AIR SET PRESS. MOUNTING DEVICE (SEE CROSBY PROCEDURE T1652)

15 1/2 MIN.

13 3/4 MAX REMOVAL SPACE



OUTLET
6" CL. 300 ANSI R.F.
12-HOLES
.656 DIA. TAP DRILL, 2" DEEP MAX.
3/4-10 UNC-2B, 1-13/32 DEEP FT.
EQUALLY SPACED ON A 10-5/8 DIA. B.C., STRADDLING C'S



APERTURE CARD INFORMATION ONLY
VERIFY WITH A CONTROLLED COPY BEFORE USE.

INLET
3" CL. 2500 LARGE TONGUE
8-HOLES
1.153/1.115 MINOR DIA., 2-5/32 DEEP MAX.
1.250-8 UNC-3B, 1-13/32 DEEP FT.
EQUALLY SPACED ON A 9" DIA. B.C. STRADDLING C'S

FLORIDA CROSBY CUST. POWER & LIGHT ORDER NO. 00012874 CROSBY F.O. NY9000146 PREPARED BY BB 13-OCT-95 CHECKED BY <i>[Signature]</i> APPD. <i>[Signature]</i>	VALVE MFG. TO ASME BOILER & PRESSURE VESSEL CODE 1974 EDITION. WEIGHT 792 LBS. APPROX SIZE 3K6 TYPE SPL	ASME SECT. III CL. I CROSBY CROSBY VALVE & GATE CO. WRENTHAM, MASS. 02093 DRAWING TITLE NOZZLE TYPE SAFETY VALVE DRAWING NO. DSC-C-84217 SHEET 1 OF 2	REV. B
--	--	--	--------

EMDRAC REV.	REV. DATE	BY	DES. CHK.	APP	REVISION DESCRIPTION
0	5/28/97	JGW	<i>[Signature]</i>	<i>[Signature]</i>	PCM 96139 INITIAL ISSUE

2998-19690		REV 0
FLORIDA POWER & LIGHT COMPANY ST. LUCIE PLANT UNIT 2		
P.O. B9593490465		
DRAWING REVIEW	REVIEWED WITHOUT COMMENTS	X
	REVIEWED WITH COMMENTS AS NOTED	
	NOT APPLICABLE	
PROCEED WITH FABRICATION	NO COMMENTS, NO PRINT RETURNED	
	FOR INFORMATION ONLY	
	NO FURTHER REPRODUCIBLE REQUIRED	X
	RESUBMIT REVISED REPRODUCIBLE	
	RESUBMIT REPRODUCIBLE AS SHIPPED	
DO NOT PROCEED WITH FABRICATION RESUBMIT REVISED REPRODUCIBLE		
PRESSURIZER CODE SAFETY VALVE REPLACEMENT FORGED BODY DESIGN SHEET 1 OF 2		
REVIEWED BY <i>[Signature]</i>	DATE 5/28/97	
REVIEW OF THIS DOCUMENT WITH OR WITHOUT COMMENTS IS ONLY FOR GENERAL CONFORMANCE WITH PROJECT SPECIFICATIONS AND FOR CONFIRMATION OF PHYSICAL INTERVIEW OF ITEMS SHOWN WITH RELATED SYSTEMS. SUCH REVIEW SHALL IN NO WAY RELIEVE CONTRACTOR FROM ENTIRE RESPONSIBILITY FOR ENGINEERING, DESIGN, WORKMANSHIP, MATERIAL, PERFORMANCE OF EQUIPMENT AND MATERIAL, AND ALL OTHER LIABILITY UNDER THE CONTRACT.		

9712040015-61 E