

REGULATORY INFORMATION DISTRIBUTION SYSTEM (RIDS)

ACCESSION NBR: 8802090318 DOC. DATE: 87/07/21 NOTARIZED: NO DOCKET #  
 FACIL: STN-50-528 Palo Verde Nuclear Station, Unit 1, Arizona Publi 05000528  
 STN-50-529 Palo Verde Nuclear Station, Unit 2, Arizona Publi 05000529  
 STN-50-530 Palo Verde Nuclear Station, Unit 3, Arizona Publi 05000530  
 AUTH. NAME AUTHOR AFFILIATION.  
 BYNUM, J. R. Arizona Nuclear Power Project (formerly Arizona Public Serv  
 RECIP. NAME RECIPIENT AFFILIATION  
 BROWN, G. A. Region 5, Ofc of the Director

SUBJECT: Forwards site mod package containing drawings of mods to  
 sampling point for TSC intake ventilation monitor, per  
 discussion during Emergency Preparedness Insp 50-528/87-22,  
 50-529/87-22 & 50-530/87-23.

DISTRIBUTION CODE: IE35D COPIES RECEIVED: LTR 1 ENCL 1 SIZE: 21  
 TITLE: Emergency Preparedness-Appraisal/Confirmatory Action Ltr/Exercise Rep

NOTES: Standardized plant. 05000528  
 Standardized plant. 05000529  
 Standardized plant. 05000530

	RECIPIENT ID CODE/NAME	COPIES LTTR ENCL	RECIPIENT ID CODE/NAME	COPIES LTTR ENCL
	PDS PD	1 1	LICITRA, E	1 1
	DAVIS, M	1 1		
INTERNAL:	ARM/DAF/LFMB	1 0	NRR/DREP/EPB	1 1
	NRR/PMAS/ILRB	1 1	<u>REG FILE</u> 02	1 1
	RGN5 FILE 01	1 1	RGN2/DRSS/EPRPB	1 1
EXTERNAL:	LPDR	1 1	NRC PDR	1 1
	NSIC	1 1		
NOTES:		1 1		

TOTAL NUMBER OF COPIES REQUIRED: LTTR 13 ENCL 12



File  
2.1.1

RECEIVED  
NRC

**Arizona Nuclear Power Project**

P.O. BOX 52034 • PHOENIX, ARIZONA 85072-2034  
058-02253-JRB/RRB

1987 JUL 27 A 11: 03

REGION V

July 21, 1987

U. S. Nuclear Regulatory Commission  
Region V  
1450 Maria Lane, Suite 210  
Walnut Creek, CA 94956-5368

Attention: Mr. G. A. Brown  
Inspector.

Subject: Palo Verde Nuclear Generating Station (PVNGS)  
Units 1, 2, and 3  
Docket Nos. STN 50-528 (License NPF-41)  
STN 50-529 (License NPF-51)  
STN 50-530 (License NPF-65)  
Emergency Preparedness Inspection  
528/87-22, 529/87-22, 530/87-23  
File: 87-019-026

Dear Mr. Brown:

Pursuant to discussion between yourself and members of my staff during the subject inspection, I am enclosing a copy of the Site Modification Package containing drawings of modifications to the sampling point for the TSC Intake Ventilation Monitor.

If you have questions regarding this transmittal, please contact Mr. Raul Baron of my staff at (602) 393-3954.

Very truly yours,

*J. R. Bynum*  
J. R. Bynum  
PVNGS Plant Manager

JRB/RRB:kj

Enclosure

cc: E. E. Van Brunt, Jr. (all w/o enclosure)  
J. G. Haynes  
O. J. Zeringue  
L. E. Brown  
J. R. Mann  
T. D. Shriver

*IF-35*  
*11*

8802090318 870721  
PDR ADDCK 05000528  
Q PDR

**FOR INFORMATION ONLY**  
PVNGS  
**SITE MODIFICATION**

UNIT <b>AO</b>	SYSTEM <b>HN</b>	CLASS: <b>[ ] QR [X] NQR</b>	S-MOD No. <b>A-SM-HN-002</b>	
DATE: <b>4-20-87</b>		SOURCE DOCUMENT: <b>PCR 87-AO-HN-001</b>		
MODE RESTRAINT <b>N/A</b>		INSTALLATION WR No. <b>203113</b>		
SYSTEM ENGINEER/EXT. <b>Wayne Bichlmeir/6508</b>				
REASON FOR S-MOD (Including which criteria satisfied): <b>RAD MONITORING PIPING IN TSC IS NOT INSTALLED IN EMERGENCY MODE DUCTWORK. THIS WAS A REGULATORY COMMITMENT.</b> <span style="float:right;">[X] SEE 2nd PAGE</span>				
INITIATION	DESCRIPTION: <b>CHANGE PIPING LOCATION.</b>			[X] SEE 2nd PAGE
	REQUIRED TESTING AFTER INSTALLATION RECEIVED <b>NONE REQUIRED</b>			[ ] SEE 2nd PAGE
	AFFECTED DOCUMENTS: <b>MAY 7 1987</b>			
	DOCUMENT	REV	FCR No.	DOCUMENT
	<u>AO-A-ZYD-196</u>	<u>4</u>	<u>A-A5191</u>	<u>AO-P-ZYA-961</u>
<u>AO-P-ZYC-011</u>	<u>3</u>	<u>P-A5192</u>	<u>AO-P-ZYC-012</u>	
<u>AO-P-ZYA-962</u>	<u>2</u>	<u>P-A5193</u>	<u>                    </u>	
APPROVAL	REVIEWER/DATE <i>Craig Clapper 4-23-87</i>		OPS ENGINEERING MANAGER/DATE <i>[Signature] 5/1/87</i>	
	SUPERVISOR/DATE <i>[Signature] 5/1/87</i>		PLANT or TECH. SERVICES MGR./DATE <i>[Signature] 5/1/87</i>	
	S-MOD COORDINATOR <i>[Signature] 5/1/87</i>			
CLOSEOUT	AS BUILT VERIFICATION AND INSERVICE CHECK HAS BEEN COMPLETED.			
	SYSTEM ENGINEER: _____		DATE: _____	
FINAL CLOSEDOUT HAS BEEN COMPLETED.				
PROJECT COORDINATOR: _____		DATE: _____		



FOR INFORMATION ONLY

PUNGS  
SITE MODIFICATION

PAGE

(CONTINUATION PAGE)

REASON FOR S-MOD (continuation):

This site mod is a partial of PCR 87-HN-001. The scope of work is to relocate the sample point of radmonitor AJSQNRU13A from a point in the duct which does not sample TSC office air during emergency mode to a point of recirculation.

This particular problem was first noted in the NRC's Emergency Response Facilities Appraisal dated 8/22/86 (Docket Nos 50-528 and 50-529). NuReg 0696 states that a radmonitoring system will continuously indicate radiation dose rates and airborne radioactivity concentrations inside the TSC while it is in use during an emergency.

Note, the balance of work for PCR 87-HN-001 shall be performed on site mods A8-SM-HN-001 and another site mod to be determined later.

W084.26.97

DESCRIPTION (continuation):

Relocate the supply and return lines (1"φ stainless steel) for radmonitor AJSQNRU13A from a point of nonflow during emergency mode to a point of recirculation (see FCR for drawing AO-A-ZYD-k). A detail list of work follows:

1. Cut the 1" stainless steel sample lines 3 inches below the flange (Reference drawing AO-P-ZYA-962 section D).
2. Detach existing 150\* flanges at the existing supply and return sample points (Reference FCR's for drawings AO-P-ZYA-961 and AO-P-ZYA-962).
3. Place two new 4" 150\* blind flanges with gaskets over the existing sample points (Reference drawing AO-P-ZYA-962 FCR and Bill of Materials item #1).
4. Fabricate and install new sample nozzles as shown on detail 1 of drawing AO-P-ZYC-012 FCR. These sample points shall be located as shown on drawings AO-P-ZYA-961 and AO-P-ZYC-011.

INITIATION

REQUIRED TESTING AFTER INSTALLATION (continuation):



4. (continued) See Bill of Materials items 4 & 10.

CAUTION

SPECIAL PRECAUTIONS SHALL BE MADE WHEN WELDING SHEET METAL OR STAINLESS STEEL TUBING IN ORDER TO ASSURE THAT WELDING FUMES DO NOT AFFECT THE CHARCOAL ADSORBERS. PORTABLE FUME HOODS SHALL BE USED TO DIRECT ALL POSSIBLE FUMES AWAY FROM THE CHARCOAL.

5. Reroute 1"  $\phi$  Stainless steel line utilizing the existing sample flanges and probe, couplings (Bill of Material #2), and stainless steel pipe (Bill of Material #3). This routing shall conform to the plan and sections as shown on the FCRs to drawings AO-P-ZYA-961 and AO-P-ZYA-962. All connections are socketweld (see caution above). All turns shall be 4 diameter bends.

Note, special precautions shall be made in order to assure that the inlet sample probe faces the direction of the air flow as shown on detail 1 to the FCR of drawing AO-P-ZYC-012.

6. Bolt up the existing sample flanges to the newly installed sample nozzles ( $\frac{3}{8}$ " flanges). Utilize new gaskets between the flanges (Bill of Material





7. Install two pipe supports, each supporting both sample lines in locations as shown on the plan view of drawing AO-P-ZYA-961. These supports shall be fabricated as <sup>was</sup> shown on details 4 & 5 of drawing AO-P-ZYA-962. See Bill of Materials items 6, 7, 8 & 9.

## BILL OF MATERIALS

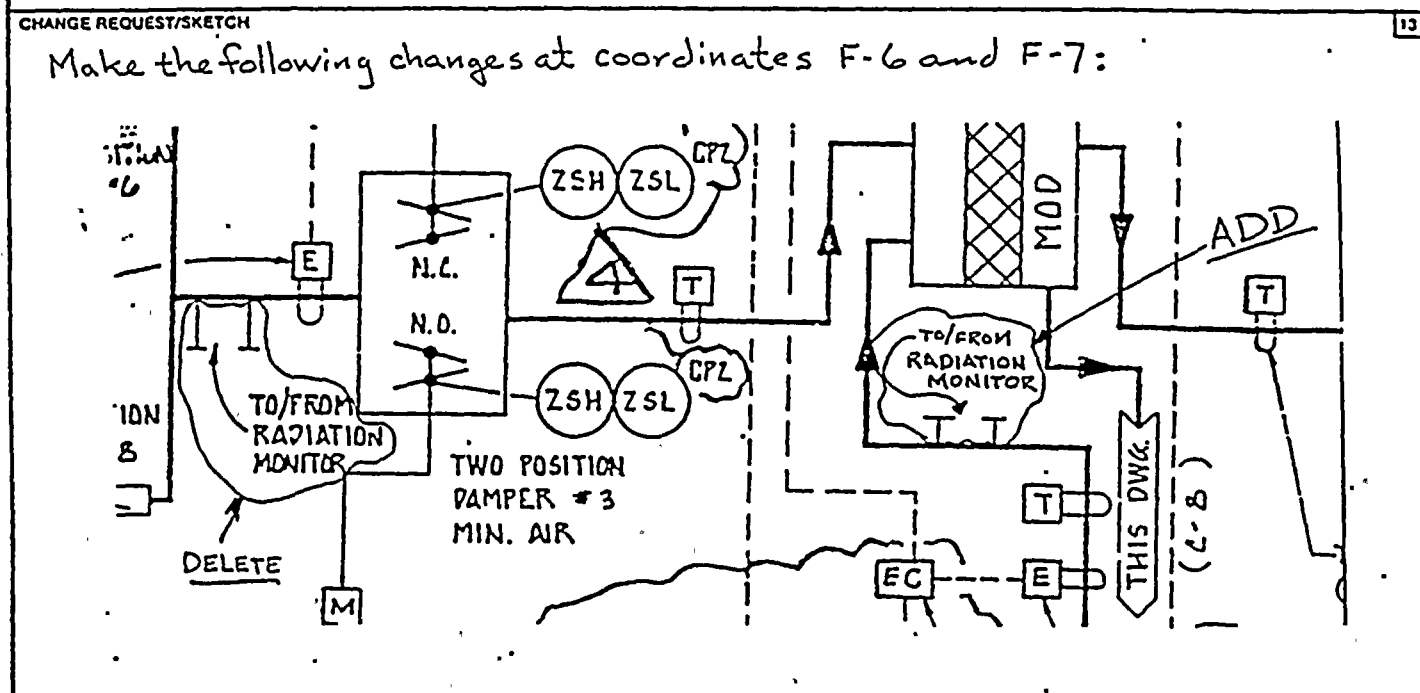
QTY	DESCRIPTION
1. 2	Flange, Blind, FF Stainless Steel ASTM A182 Gr F316, 4" $\phi$ ; 150*. With gaskets (Red Rubber) and bolt & nut sets (A307 <sup>bolts.</sup> ) + (A563 <sup>nuts</sup> )
2. 8	Couplings, 1" $\phi$ , Stainless Steel ASTM A182, Gr. F304, Sch. 40s
3. 60'	Pipe, 1" $\phi$ , Stainless Steel: ASTM A-376 or A312 Type 304, Sch. 40s.
4. 2	Flange plate, 4" x $\frac{3}{8}$ " thick, ASTM A36
5. 2	Gaskets for 4" flange, Red Rubber
6. 1	Steel Angle, 5" x 3" x $\frac{1}{4}$ " thk x 6' long. ASTM A36
7. 1	Steel Plate, 5 $\frac{1}{2}$ " x 6" x $\frac{3}{8}$ " thk. ASTM A36
8. 4	U Bolt, Carbon Steel, for 1" $\phi$ pipe, Std with 4 hex nuts. (COMMERCIAL GRADE)
9. 2	Bolts, $\frac{3}{8}$ " $\phi$ , ASTM A307, 4" Long
10. 2	Duct, 4" $\phi$ , 6" Long, Galvanized Sheet Steel ASTM A525.



# FOR INFORMATION ONLY

THIS FORM IDENTIFIES REQUIRED PROCEDURES. COMPLETION OF THE FORM DOES NOT SIGNIFY APPROVAL, ACCEPTANCE OR REVIEW BY APS OF ANY DOCUMENTS DESCRIBED THEREIN OR OMITTED THEREFROM NOR DOES IT MODIFY OR RELEASE THE SUPPLIER/CONTRACTOR/A/E FROM ANY CONTRACTUAL OBLIGATIONS.

 <b>ANPP</b>	<b>FIELD CHANGE REQUEST (FCR)</b>	FCR # <b>A-A-5191</b>	PAGE <b>1</b> OF <b>1</b>
	QUALITY CLASS <b>S</b>	DATE (MO/DAY/YR) <b>4/17/87</b>	SCH/DCN/SDCN # <b>4</b>
REF DWG OR SPEC <b>AO-A-ZYD-196 Rev 4</b>	REV. # <b>5</b>	TITLE: <b>TECHNICAL SUPPORT CENTER HVAC TEMPERATURE CONTROL DIAGRAMS</b>	
DESIGN ORGANIZATION <input checked="" type="checkbox"/> NE <input type="checkbox"/> NO <input type="checkbox"/>		<input type="checkbox"/> UNIT 1 <input type="checkbox"/> UNIT 3 <input type="checkbox"/> WRF	<input type="checkbox"/> UNIT 2 <input checked="" type="checkbox"/> COMMON <input type="checkbox"/> OTHER
REQUESTED BY <input type="checkbox"/> NC <input type="checkbox"/> NO <input type="checkbox"/> NE <input checked="" type="checkbox"/> <b>N.A.</b>		AFFECTED UNIT(S) FOR AS-BUILT KEY DWGS.	
DCP # <b>SITE MGD</b> <b>A-SM-HN-002</b>		PCR/PCP # <b>87-AO-HN-001</b>	
EXISTING CONDITION <b>Radiation Sample Probes are located in an improper location.</b>			


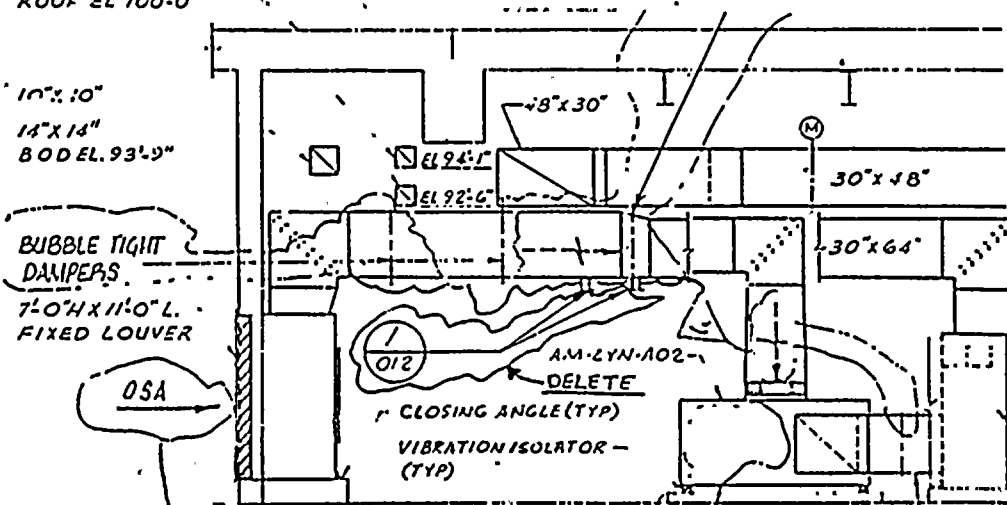


PROJECT IMPACT: <input type="checkbox"/> SCHEDULE <input checked="" type="checkbox"/> COST <input type="checkbox"/>	
PREPARED BY (PLEASE TYPE OR PRINT) <b>Wayne Dobbepuhl</b> PHONE <b>x4076</b> DATE <b>4/9/87</b> REQUESTOR DEPT.	A/E DISPOSITION
A <b>N/A</b> REVIEWED BY (SIGNATURE) _____ DATE _____	A <b>N/A</b> COMPANY _____
B <b>N/A</b> CONCURRED BY (SIGNATURE) _____ DATE _____	B <b>N/A</b> REVIEWED BY (SIGNATURE) _____ DATE _____
C <b>N/A</b> APPROVED BY (SIGNATURE) _____ DATE _____	C <b>N/A</b> APPROVED BY (SIGNATURE) _____ DATE _____
NUCLEAR ENGINEERING A <b>Wayne Dobbepuhl</b> <b>4/17/87</b> REVIEWED BY (SIGNATURE) _____ DATE _____ B <b>Chris [Signature]</b> <b>4/17/87</b> APPROVED BY (SIGNATURE) _____ DATE _____ C <b>B. [Signature]</b> <b>5/4/87</b> APPROVED BY (SIGNATURE) _____ DATE _____	PVNG ENGINEERING A <b>[Signature]</b> <b>4/30/87</b> REVIEWED BY (SIGNATURE) _____ DATE _____ B <b>William [Signature]</b> <b>5/1/87</b> REVIEWED BY (SIGNATURE) _____ DATE _____ C <b>[Signature]</b> <b>5/1/87</b> APPROVED BY (SIGNATURE) _____ DATE _____
LICENSING A <b>N/A</b> CONCURRED BY - IF REQ. (SIGNATURE) _____ DATE _____	QUALITY ASSURANCE A <b>N/A</b> CONCURRED BY - IF REQ. (SIGNATURE) _____ DATE _____

REMARKS:  
**ISSUE AS DCN**

# FOR INFORMATION ONLY

THIS FORM IDENTIFIES REQUIRED PROCEDURES. COMPLETION OF THE FORM DOES NOT SIGNIFY APPROVAL, ACCEPTANCE OR REVIEW BY APS OF ANY DOCUMENTS DESCRIBED THEREIN OR OMITTED THEREFROM NOR DOES IT MODIFY OR RELEASE THE SUPPLIER/CONTRACTOR/E/C FROM ANY CONTRACTUAL OBLIGATIONS.

 <b>ANPP</b>	<b>FIELD CHANGE REQUEST (FCR)</b>	FCR # <b>P-A5192</b>	PAGE <b>1</b> OF <b>4</b>	
REF DWG OR SPEC <b>AO-P-ZYC-011 Rev. 3</b>	REV. <b>3</b>	QUALITY CLASS <b>S</b>	DATE (MO/DAY/YR) <b>4/17/87</b>	SCN/DCN/SDCN # _____
DESIGN ORGANIZATION <input checked="" type="checkbox"/> NE <input type="checkbox"/> NO <input type="checkbox"/> _____		TITLE TECHNICAL SUPPORT CENTER, HVAC PLAN, SECTIONS & DETAILS. BETWEEN EL 80'-0" AND 100'-0"		
REQUESTED BY <b>N.A.</b>		UNIT 1 <input type="checkbox"/> UNIT 3 <input type="checkbox"/> WRF <input type="checkbox"/> UNIT 2 <input type="checkbox"/> COMMON <input checked="" type="checkbox"/> OTHER <input type="checkbox"/> AFFECTED UNIT(S)		
DCP #/SMOD # <b>A-SM-HN-002</b>		PCR/PCP # <b>87-AO-HN-001</b>		
EXISTING CONDITION • Radiation Samples Probes are located in an improper location • Location of 30" x 30" Register is shown in the wrong location				
CHANGE REQUEST/SKETCH <p style="text-align: center; font-size: large;">DELETE THE FOLLOWING AT COORDINATE D-3:</p> <div style="display: flex; justify-content: space-between;"> <div style="width: 30%;"> <p>ROOF EL 100'-0"</p> <p>10' x 10' 14' x 14' BOD EL. 93'-9"</p> <p>BUBBLE TIGHT DAMPERS 7'-0" x 11'-0" L. FIXED LOUVER</p> <p>OSA</p> </div> <div style="width: 60%; text-align: center;">  </div> </div>				
PROJECT IMPACT: <input type="checkbox"/> SCHEDULE <input checked="" type="checkbox"/> COST <input type="checkbox"/> _____				
PREPARED BY (PLEASE TYPE OR PRINT) <b>Wayne Dabberpohl</b>		PHONE <b>4076</b>	DATE <b>4/17/87</b>	E/C DISPOSITION A <b>NA</b>
REQUESTOR DEPT. <b>NA</b>		COMPANY <b>NA</b>		
A <b>NA</b> REVIEWED BY (SIGNATURE)   DATE		B <b>NA</b> REVIEWED BY (SIGNATURE)   DATE		
B <b>NA</b> CONCURRED BY (SIGNATURE)   DATE		C <b>NA</b> APPROVED BY (SIGNATURE)   DATE		
A <b>Wayne Dabberpohl</b> REVIEWED BY (SIGNATURE)   DATE <b>4/17/87</b>		A <b>[Signature]</b> REVIEWED BY (SIGNATURE)   DATE <b>4/26/87</b>		
B <b>Miles [Signature]</b> APPROVED BY (SIGNATURE)   DATE <b>4/17/87</b>		B <b>[Signature]</b> REVIEWED BY (SIGNATURE)   DATE <b>5/1/87</b>		
C <b>[Signature]</b> APPROVED BY (SIGNATURE)   DATE <b>5/4/87</b>		C <b>[Signature]</b> APPROVED BY (SIGNATURE)   DATE <b>5/1/87</b>		
LICENSING <b>NA</b>		QUALITY ASSURANCE <b>NA</b>		
CONCURRED BY - IF REQ. (SIGNATURE)   DATE		CONCURRED BY - IF REQ. (SIGNATURE)   DATE		
REMARKS: <p style="font-size: large; text-align: center;">.ISSUE AS DCN</p>				



# FOR INFORMATION ONLY

THIS FORM IDENTIFIES REQUIRED PROCEDURES. COMPLETION OF THE FORM DOES NOT SIGNIFY APPROVAL, ACCEPTANCE OR REVIEW BY APS OF ANY DOCUMENTS DESCRIBED THEREIN OR OMITTED THEREFROM NOR DOES IT MODIFY OR RELEASE THE SUPPLIER/CONTRACTOR/E/C FROM ANY CONTRACTUAL OBLIGATIONS.

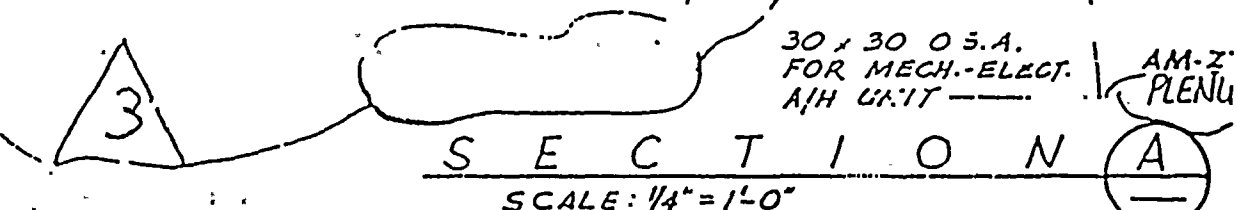
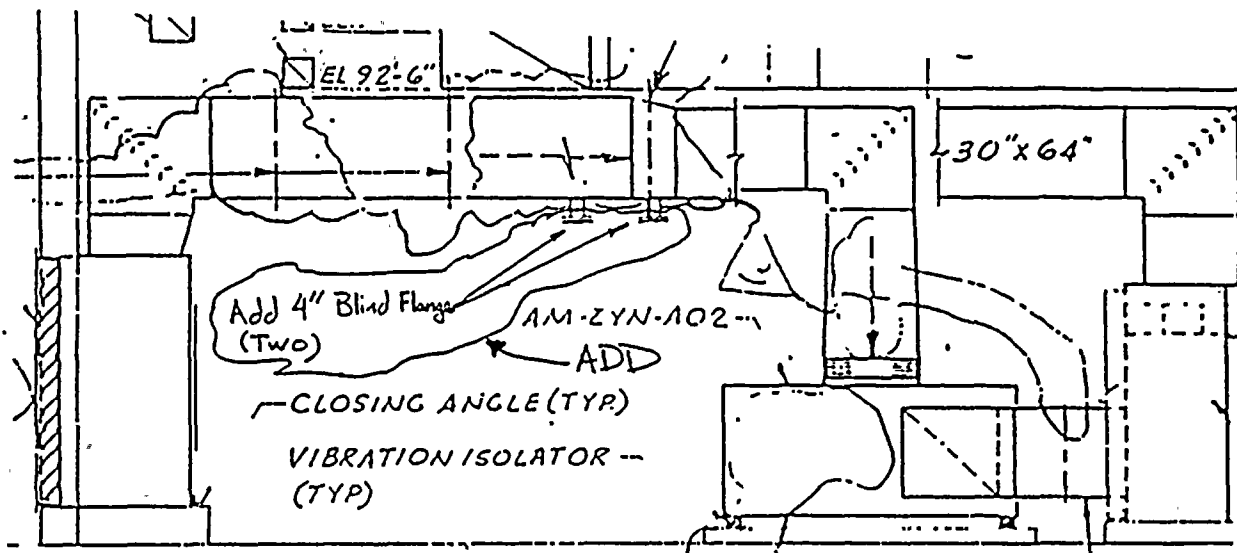


FIELD CHANGE REQUEST (FCR)  
CONTINUATION SHEET

FCR NO.: P-A5192

Page 2 of 4

ADD THE FOLLOWING AT COORDINATE D-3:



# FOR INFORMATION ONLY

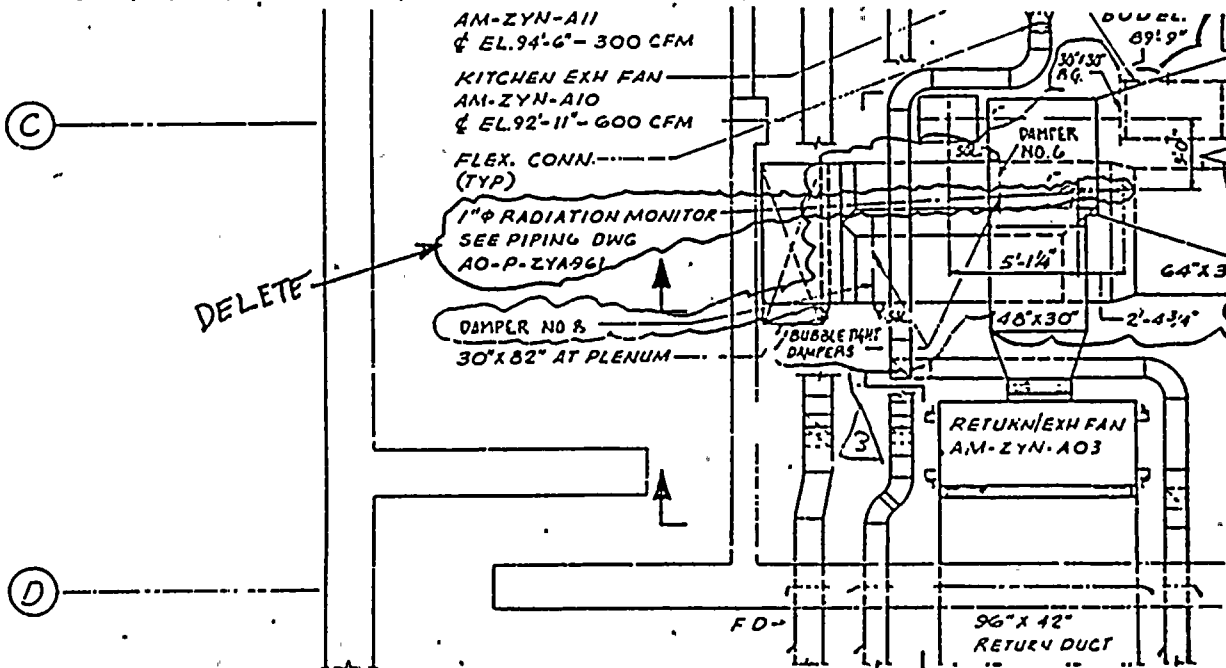
THIS FORM IDENTIFIES REQUIRED PROCEDURES. COMPLETION OF THE FORM DOES NOT SIGNIFY APPROVAL, ACCEPTANCE OR REVIEW BY APS OF ANY DOCUMENTS DESCRIBED THEREIN OR OMITTED THEREFROM NOR DOES IT MODIFY OR RELEASE THE SUPPLIER/CONTRACTOR/E/C FROM ANY CONTRACTUAL OBLIGATIONS.



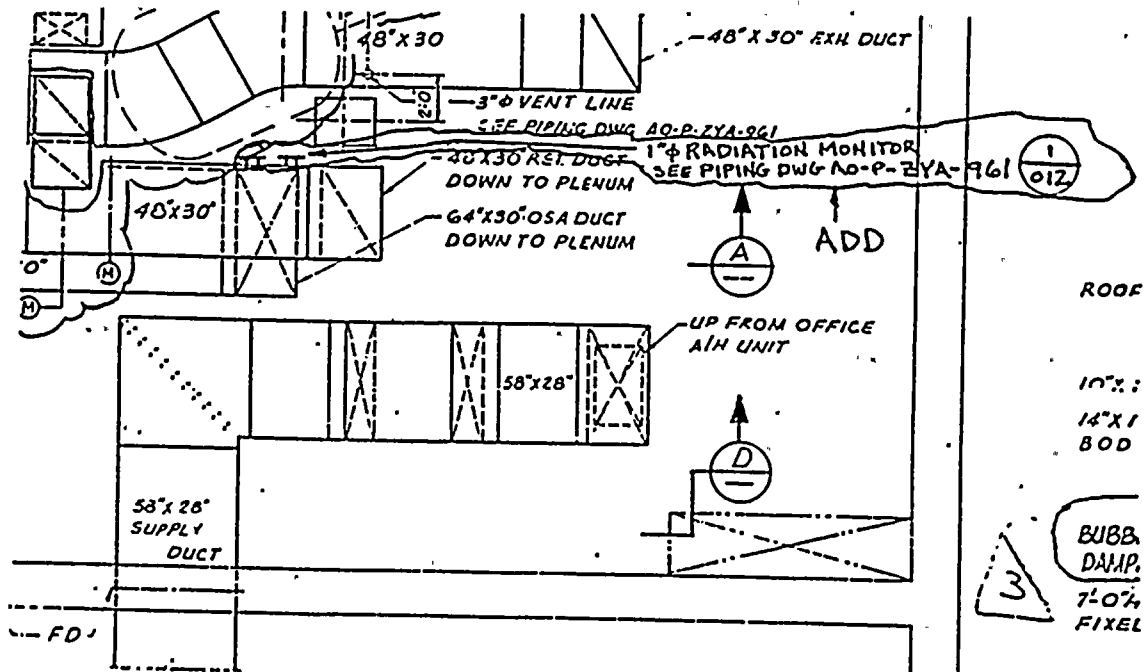
**FIELD CHANGE REQUEST (FCR)  
CONTINUATION SHEET**

FCR NO.: PA5192 Page 3 of 4

**DELETE THE FOLLOWING AT COORDINATE E-7:**



**ADD THE FOLLOWING AT COORDINATE E-S:**



ROOF

10\"/>

BUBB DAMP.  
7-0\"/>



# FOR INFORMATION ONLY

THIS FORM IDENTIFIES REQUIRED PROCEDURES. COMPLETION OF THE FORM DOES NOT SIGNIFY APPROVAL, ACCEPTANCE OR REVIEW BY APS OF ANY DOCUMENTS DESCRIBED THEREIN OR OMITTED THEREFROM NOR DOES IT MODIFY OR RELEASE THE SUPPLIER/CONTRACTOR/E/C FROM ANY CONTRACTUAL OBLIGATIONS.



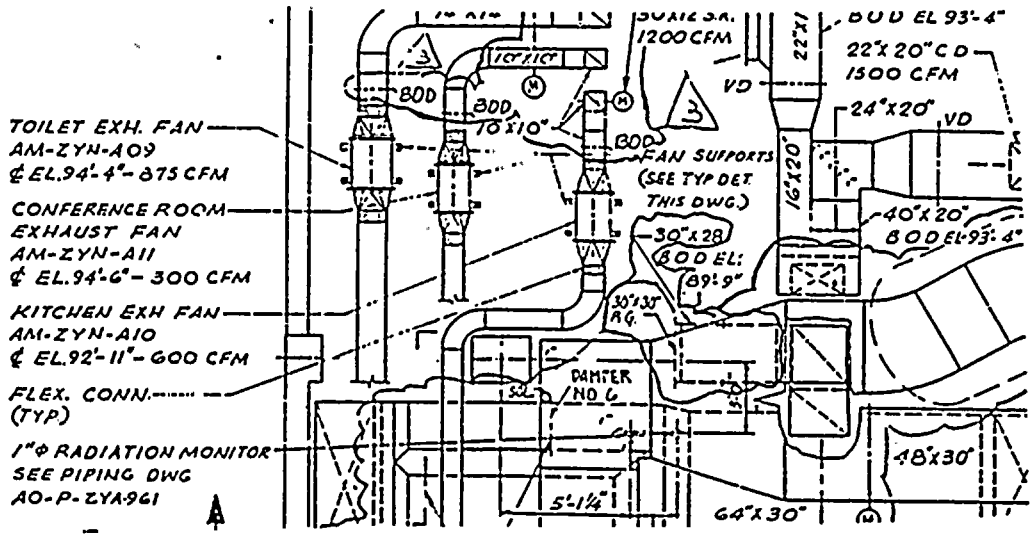
**FIELD CHANGE REQUEST (FCR)**  
CONTINUATION SHEET

FCR NO.: PA5192

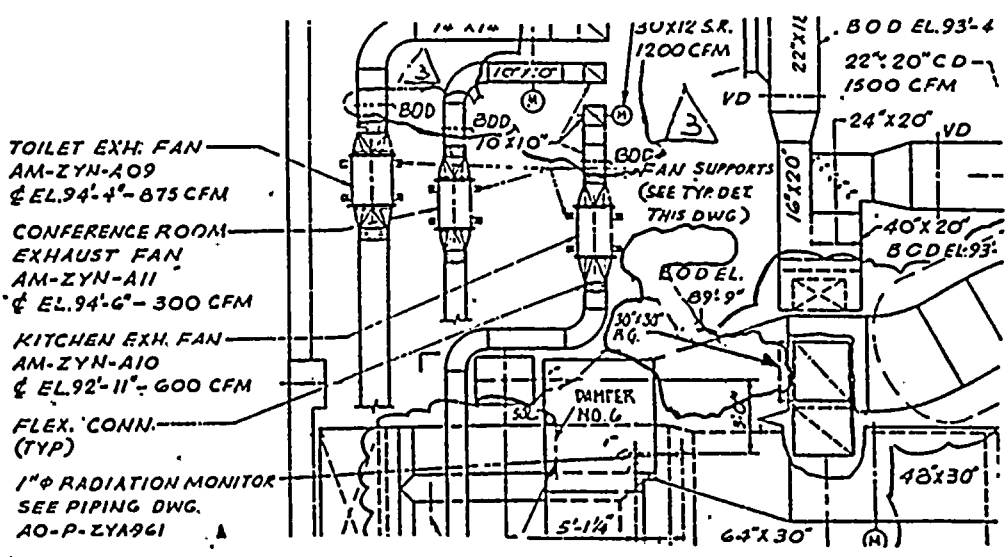
Page 4 of 4

ACTUAL LOCATION OF 30"X30" REGISTER IS SHOWN IN THE WRONG LOCATION AT COORDINATE E-6

CHANGE FROM:




CHANGE TO:



# FOR INFORMATION ONLY

THIS FORM IDENTIFIES REQUIRED PROCEDURES. COMPLETION OF THE FORM DOES NOT SIGNIFY APPROVAL, ACCEPTANCE OR REVIEW BY APS OF ANY DOCUMENTS DESCRIBED THEREIN OR OMITTED THEREFROM NOR DOES IT MODIFY OR RELEASE THE SUPPLIER/CONTRACTOR/A&E FROM ANY CONTRACTUAL OBLIGATIONS.

 <b>FIELD CHANGE REQUEST (FCR)</b>		FCR # <b>P-A-5193</b>	PAGE <b>1</b> OF <b>3</b>
QUALITY CLASS <b>S</b>	DATE (MO/DAY/YR) <b>4/17/87</b>	SCN/DCN/SCCN #	
REF DWG OR SPEC <b>AO-P-ZYA-962 REV. 2</b>	REV. # <b>5</b>	TITLE <b>TECHNICAL SUPPORT CENTER - PIPING SECTIONS</b>	
DESIGN ORGANIZATION <input checked="" type="checkbox"/> NE <input type="checkbox"/> NO <input type="checkbox"/> _____		<input type="checkbox"/> UNIT 1 <input type="checkbox"/> UNIT 3 <input type="checkbox"/> WRF <input type="checkbox"/> UNIT 2 <input checked="" type="checkbox"/> COMMON <input type="checkbox"/> OTHER	
REQUESTED BY <input type="checkbox"/> NC <input type="checkbox"/> NO <input type="checkbox"/> NE <input checked="" type="checkbox"/> <b>N.A.</b>		AFFECTED UNIT(S) FOR AS-BUILT KEY DWGS.	
OCP # <b>A-SM-HN-002</b>		PCR/PCP # <b>87-AO-HN-001</b>	
EXISTING CONDITION <p style="text-align: center; font-size: 1.2em;">Radiation Sample Probes are located in an improper location</p>			
CHANGE REQUEST/SKETCH <p style="text-align: center; font-size: 1.2em; border: 1px solid black; padding: 5px;">                     RELOCATE RADIATION MONITOR SAMPLE PIPING FROM OUTSIDE AIR SUPPLY DUCT TO REIRC. DUCT.                 </p>			
PROJECT IMPACT: <input type="checkbox"/> SCHEDULE <input checked="" type="checkbox"/> COST <input type="checkbox"/> _____			
PREPARED BY (PLEASE TYPE OR PRINT) <b>Wayne Dabberpohl</b>		PHONE <b>4076</b>	DATE <b>4/17/87</b>
REQUESTOR DEPT. <b>NA</b>		A/E DISPOSITION <b>N/A</b>	
A <b>NA</b> REVIEWED BY (SIGNATURE) _____ DATE _____		B <b>NA</b> REVIEWED BY (SIGNATURE) _____ DATE _____	
B <b>NA</b> CONCURRED BY (SIGNATURE) _____ DATE _____		C <b>NA</b> APPROVED BY (SIGNATURE) _____ DATE _____	
A <b>Wayne Dabberpohl</b> NUCLEAR ENGINEERING REVIEWED BY (SIGNATURE) _____ DATE <b>4/17/87</b>		A <b>William Smith</b> PVNGS ENGINEERING REVIEWED BY (SIGNATURE) _____ DATE <b>4/15/87</b>	
B <b>Bill Wood</b> APPROVED BY (SIGNATURE) _____ DATE <b>4/17/87</b>		B <b>William Smith</b> REVIEWED BY (SIGNATURE) _____ DATE <b>5/1/87</b>	
C <b>B. Eberley</b> APPROVED BY (SIGNATURE) _____ DATE <b>5/4/87</b>		C _____ APPROVED BY SIGNATURE _____ DATE _____	
LICENSING A <b>NA</b> CONCURRED BY - IF REQ. (SIGNATURE) _____ DATE _____		QUALITY ASSURANCE A <b>NA</b> CONCURRED BY - IF REQ. (SIGNATURE) _____ DATE _____	
REMARKS. <p style="font-size: 1.5em; text-align: center;">ISSUE AS DCN</p>			



# FOR INFORMATION ONLY

THIS FORM IDENTIFIES REQUIRED PROCEDURES. COMPLETION OF THE FORM DOES NOT SIGNIFY APPROVAL, ACCEPTANCE OR REVIEW BY APS OF ANY DOCUMENTS DESCRIBED THEREIN OR OMITTED THEREFROM NOR DOES IT MODIFY OR RELEASE THE SUPPLIER/CONTRACTOR/ENGINEER FROM ANY CONTRACTUAL OBLIGATIONS.



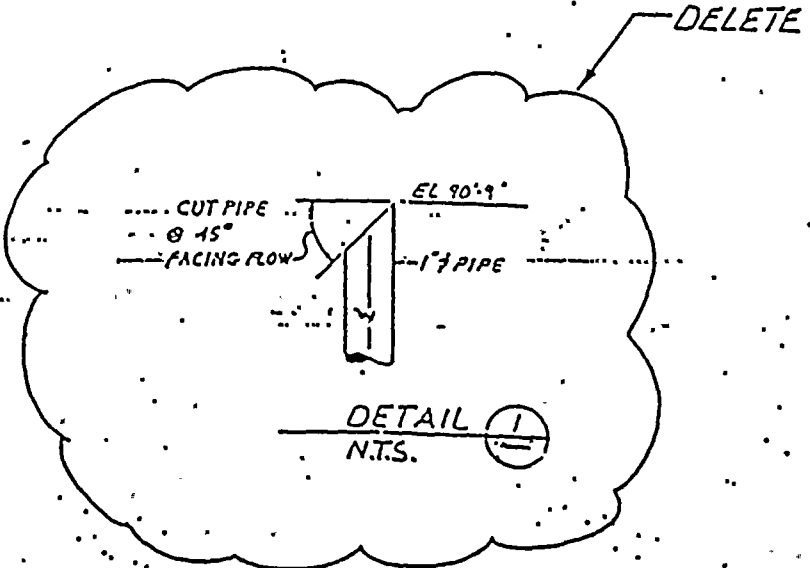
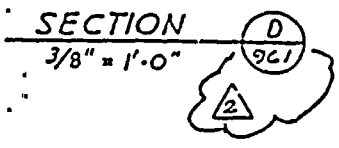
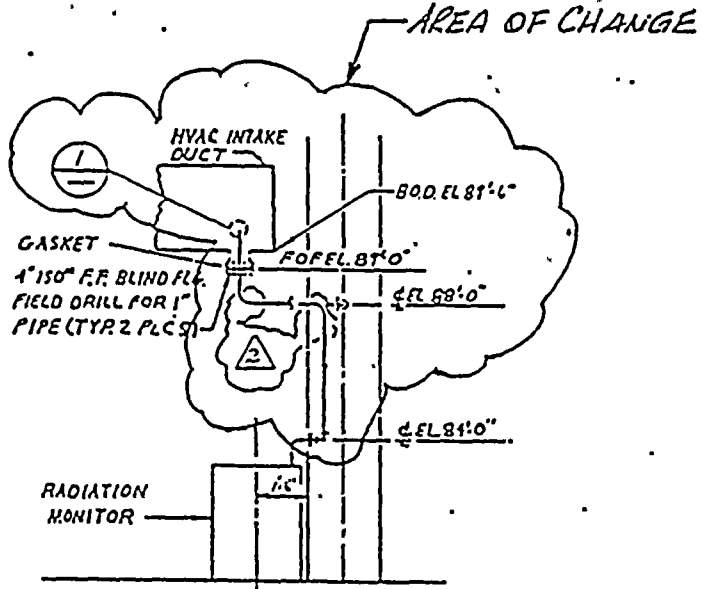
FIELD CHANGE REQUEST (FCR)  
CONTINUATION SHEET

FCR NO: P-A-5193

Page 2 of 3

EXISTING CONDITION

ZONE: F-6





# FOR INFORMATION ONLY

THIS FORM IDENTIFIES REQUIRED PROCEDURES. COMPLETION OF THE FORM DOES NOT SIGNIFY APPROVAL, ACCEPTANCE OR REVIEW BY APS OF ANY DOCUMENTS DESCRIBED THEREIN OR OMITTED THEREFROM NOR DOES IT MODIFY OR RELEASE THE SUPPLIER-CONTRACTOR/E/C FROM ANY CONTRACTUAL OBLIGATIONS.



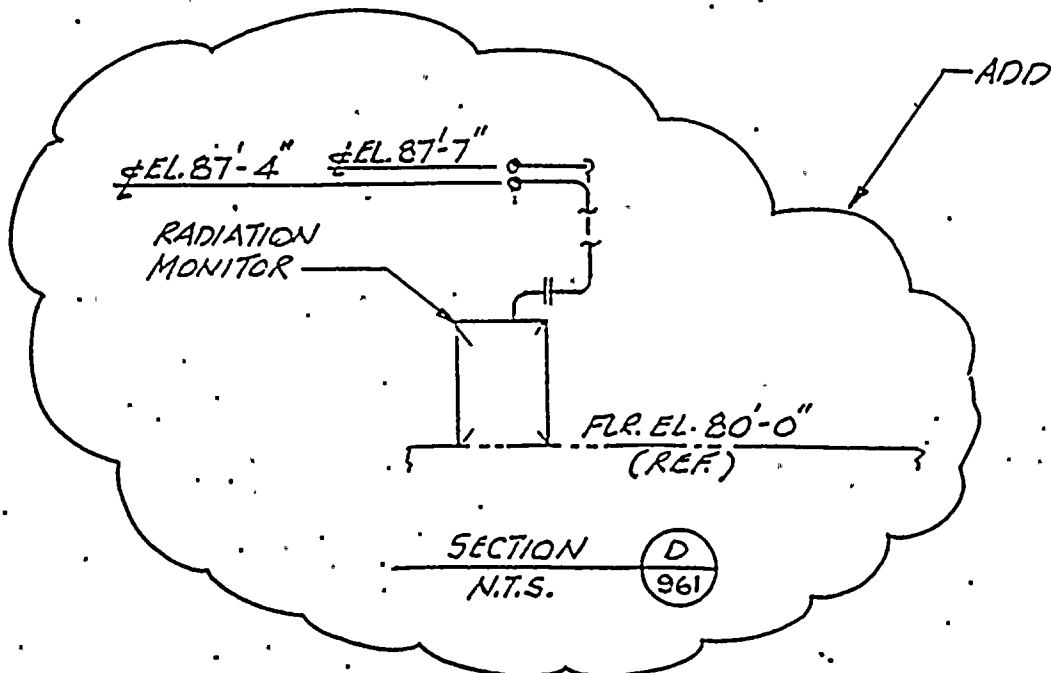
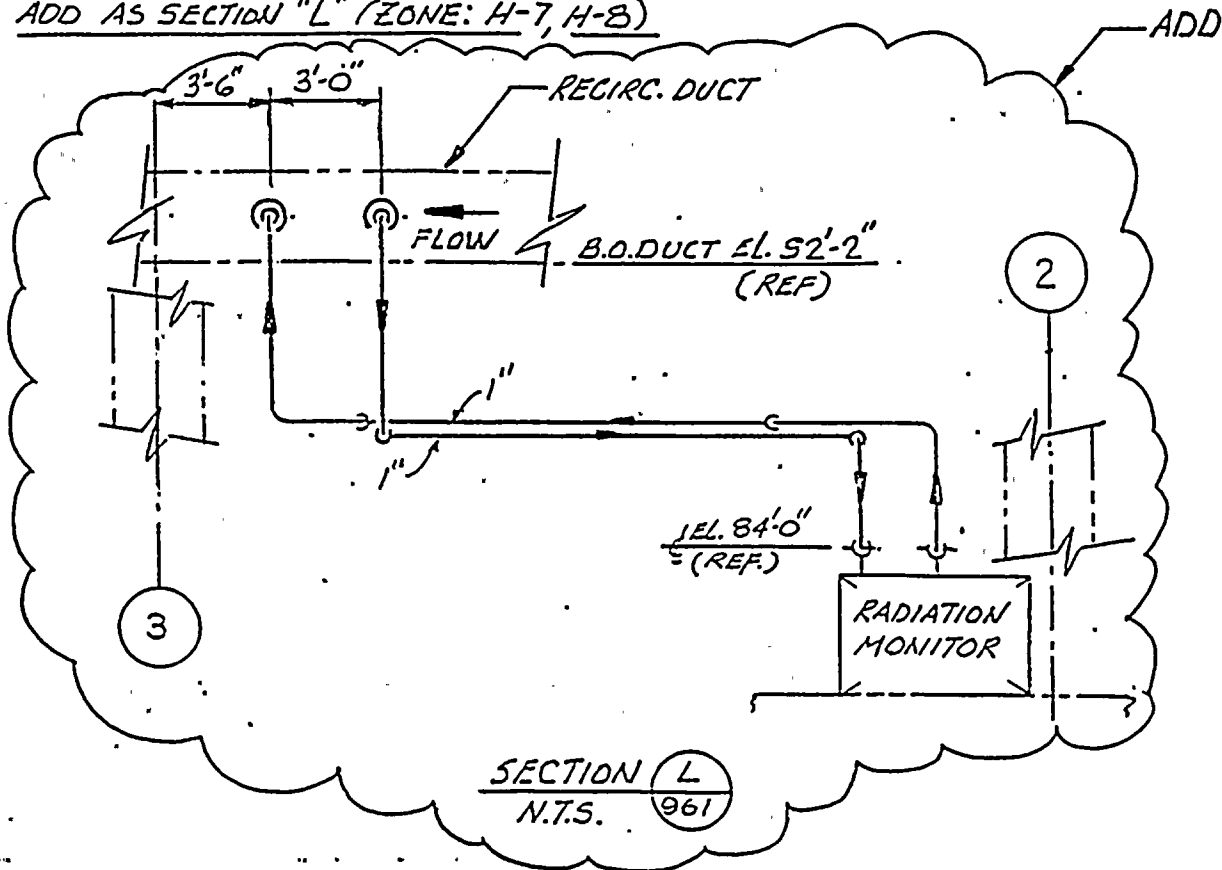
**FIELD CHANGE REQUEST (FCR)  
CONTINUATION SHEET**

FCR NO.: P-A 5193

Page 3 of 3

CHANGE TO CONDITION:


ADD AS SECTION "L" (ZONE: H-7, H-8)





# FOR INFORMATION ONLY

THIS FORM IDENTIFIES REQUIRED PROCEDURES. COMPLETION OF THE FORM DOES NOT SIGNIFY APPROVAL, ACCEPTANCE OR REVIEW BY APS OF ANY DOCUMENTS DESCRIBED THEREIN OR OMITTED THEREFROM NOR DOES IT MODIFY OR RELEASE THE SUPPLIER/CONTRACTOR/A&E FROM ANY CONTRACTUAL OBLIGATIONS.

 <b>ANPP</b>	<b>FIELD CHANGE REQUEST (FCR)</b>	FCR # <b>P-ASR4</b>	PAGE <b>1</b> OF <b>5</b>
	QUALITY CLASS <b>S</b>	DATE (MO/DAY/YR) <b>4/17/87</b>	SCN/DCN/SDCN #
REF DWG OR SPEC <b>AO-P-ZYA-961 (REV A)</b>	REV. # <b>5</b>	TITLE <b>TECHNICAL SUPPORT CENTER - PIPING PLAN.</b>	
DESIGN ORGANIZATION <input checked="" type="checkbox"/> NE <input type="checkbox"/> NO <input type="checkbox"/> _____		<input type="checkbox"/> UNIT 1 <input type="checkbox"/> UNIT 3 <input type="checkbox"/> WRF	<input type="checkbox"/> UNIT 2 <input checked="" type="checkbox"/> COMMON <input type="checkbox"/> OTHER
REQUESTED BY <input type="checkbox"/> NC <input type="checkbox"/> NO <input type="checkbox"/> NE <input checked="" type="checkbox"/> <b>N.A.</b>		AFFECTED UNIT(S) FOR AS-BUILT KEY DWGS.	
DCP # <b>A-SM-HN-002</b>	PCR/PCP # <b>87-AO-HN-001</b>		
EXISTING CONDITION <p style="text-align: center; font-size: large;">Radiation Sample Probes are located in an improper location</p>			
CHANGE REQUEST/SKETCH <p style="text-align: center; font-size: large; text-decoration: underline;">RELOCATE RADIATION MONITOR SAMPLE PIPING FROM OUTSIDE AIR SUPPLY DUCT TO RECIRC. DUCT.</p>			
PROJECT IMPACT: <input type="checkbox"/> SCHEDULE <input checked="" type="checkbox"/> COST <input type="checkbox"/> _____			
PREPARED BY (PLEASE TYPE OR PRINT) <b>Wayne Dobberpuhl</b>		PHONE <b>x4076</b>	DATE <b>4/15/87</b>
REQUESTOR DEPT.		A/E DISPOSITION	
A <b>N/A</b> REVIEWED BY (SIGNATURE)   _____   DATE _____		A <b>N/A</b> COMPANY   _____	
B <b>N/A</b> REVIEWED BY (SIGNATURE)   _____   DATE _____		B <b>N/A</b> REVIEWED BY (SIGNATURE)   _____   DATE _____	
C <b>N/A</b> CONCURRED BY (SIGNATURE)   _____   DATE _____		C <b>N/A</b> APPROVED BY (SIGNATURE)   _____   DATE _____	
A <b>Wayne Dobberpuhl</b> NUCLEAR ENGINEERING <b>Frax</b> REVIEWED BY (SIGNATURE)   _____   DATE <b>4/17/87</b>		A <b>W. K. ...</b> PVNGS ENGINEERING REVIEWED BY (SIGNATURE)   _____   DATE <b>4/30/87</b>	
B <b>Orin ...</b> APPROVED BY (SIGNATURE)   _____   DATE <b>4/17/87</b>		B <b>William ...</b> REVIEWED BY (SIGNATURE)   _____   DATE <b>5/1/87</b>	
C <b>B. ...</b> APPROVED BY (SIGNATURE)   _____   DATE <b>5/4/87</b>		C <b>...</b> APPROVED BY (SIGNATURE)   _____   DATE <b>5/1/87</b>	
LICENSING A <b>N/A</b> CONCURRED BY - IF REQ. (SIGNATURE)   _____   DATE _____		QUALITY ASSURANCE A <b>N/A</b> CONCURRED BY - IF REQ. (SIGNATURE)   _____   DATE _____	
REMARKS: <p style="text-align: center; font-size: large;">ISSUE AS DCN</p>			



# FOR INFORMATION ONLY

THIS FORM IDENTIFIES REQUIRED PROCEDURES. COMPLETION OF THE FORM DOES NOT SIGNIFY APPROVAL, ACCEPTANCE OR REVIEW BY APS OF ANY DOCUMENTS DESCRIBED THEREIN OR OMITTED THEREFROM NOR DOES IT MODIFY OR RELEASE THE SUPPLIER/CONTRACTOR/EC FROM ANY CONTRACTUAL OBLIGATIONS



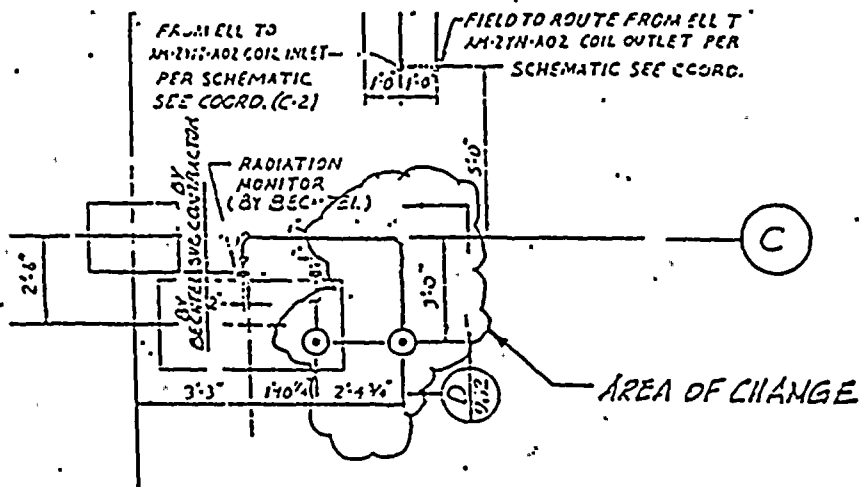
**FIELD CHANGE REQUEST (FCR)  
CONTINUATION SHEET**

FCR NO: P-A5194

Page 2 of 5

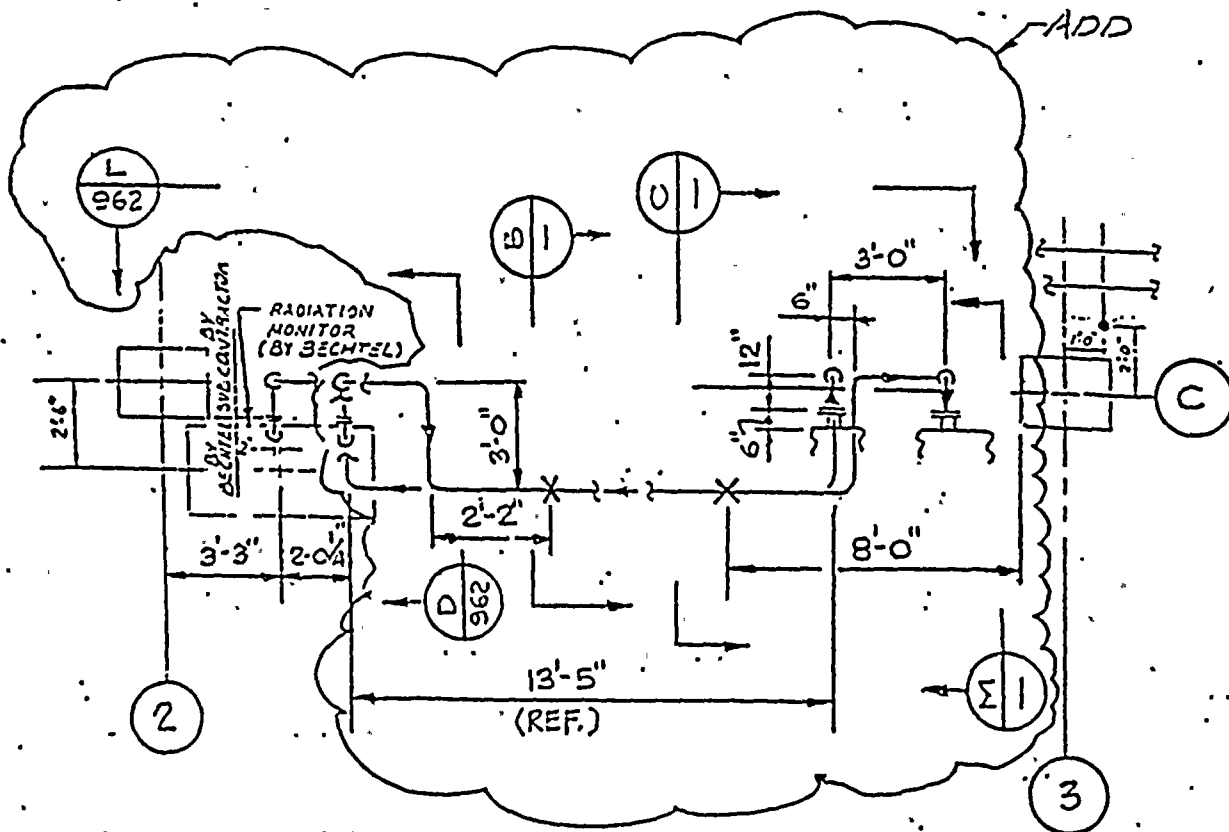
EXISTING CONDITION

ZONE:-(C-6)



CHANGE TO CONDITION

ZONE:-(C-4, C-5 & C-6)



# FOR INFORMATION ONLY

THIS FORM IDENTIFIES REQUIRED PROCEDURES. COMPLETION OF THE FORM DOES NOT SIGNIFY APPROVAL, ACCEPTANCE OR REVIEW BY APS OF ANY DOCUMENTS DESCRIBED THEREIN OR OMITTED THEREFROM NOR DOES IT MODIFY OR RELEASE THE SUPPLIER/CONTRACTOR/E/C FROM ANY CONTRACTUAL OBLIGATIONS.



FIELD CHANGE REQUEST (FCR)  
CONTINUATION SHEET

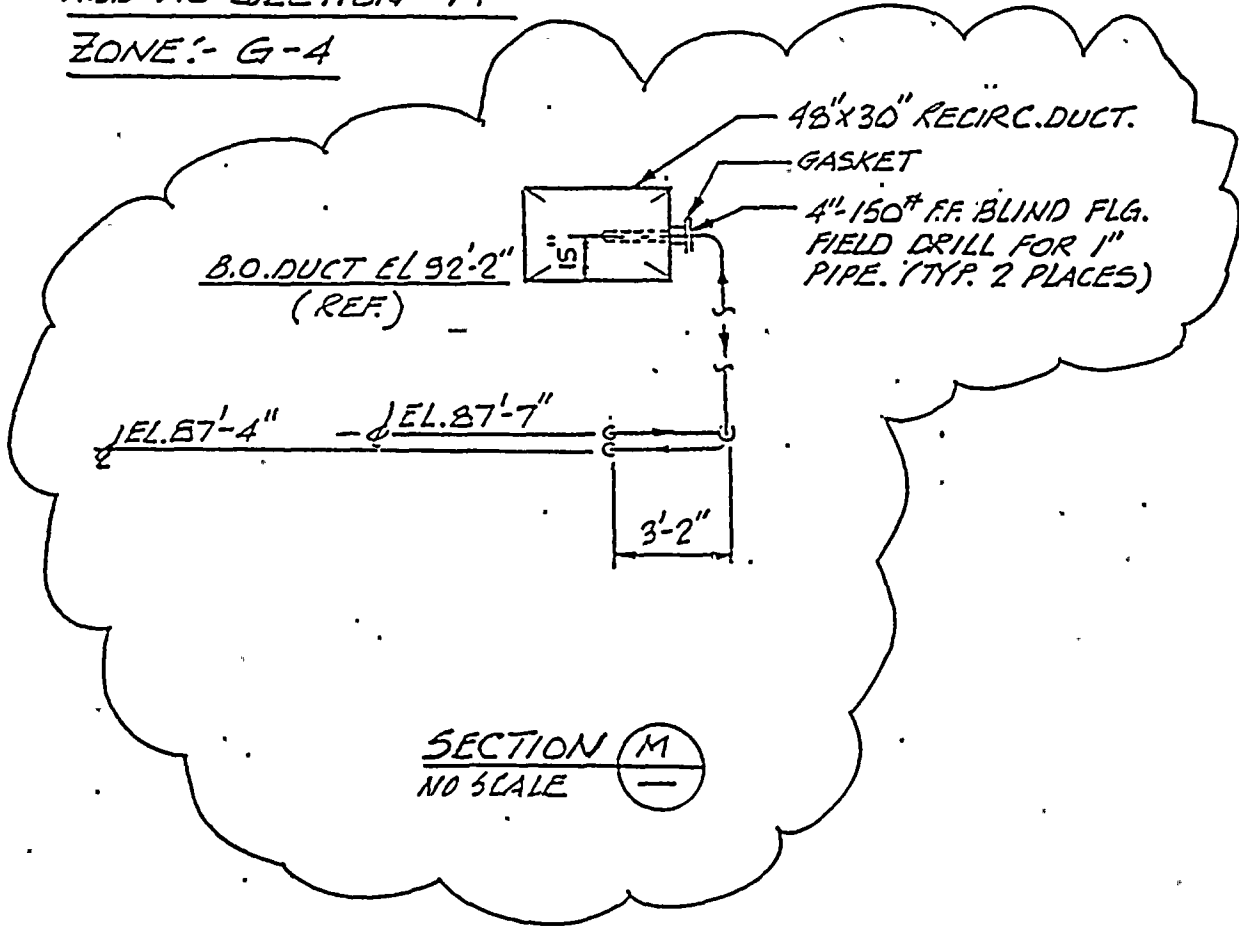
FCR NO: P-A51A

Page 3 of 5

CHANGE TO CONDITION.

ADD AS SECTION "M"

ZONE:- G-4



# FOR INFORMATION ON

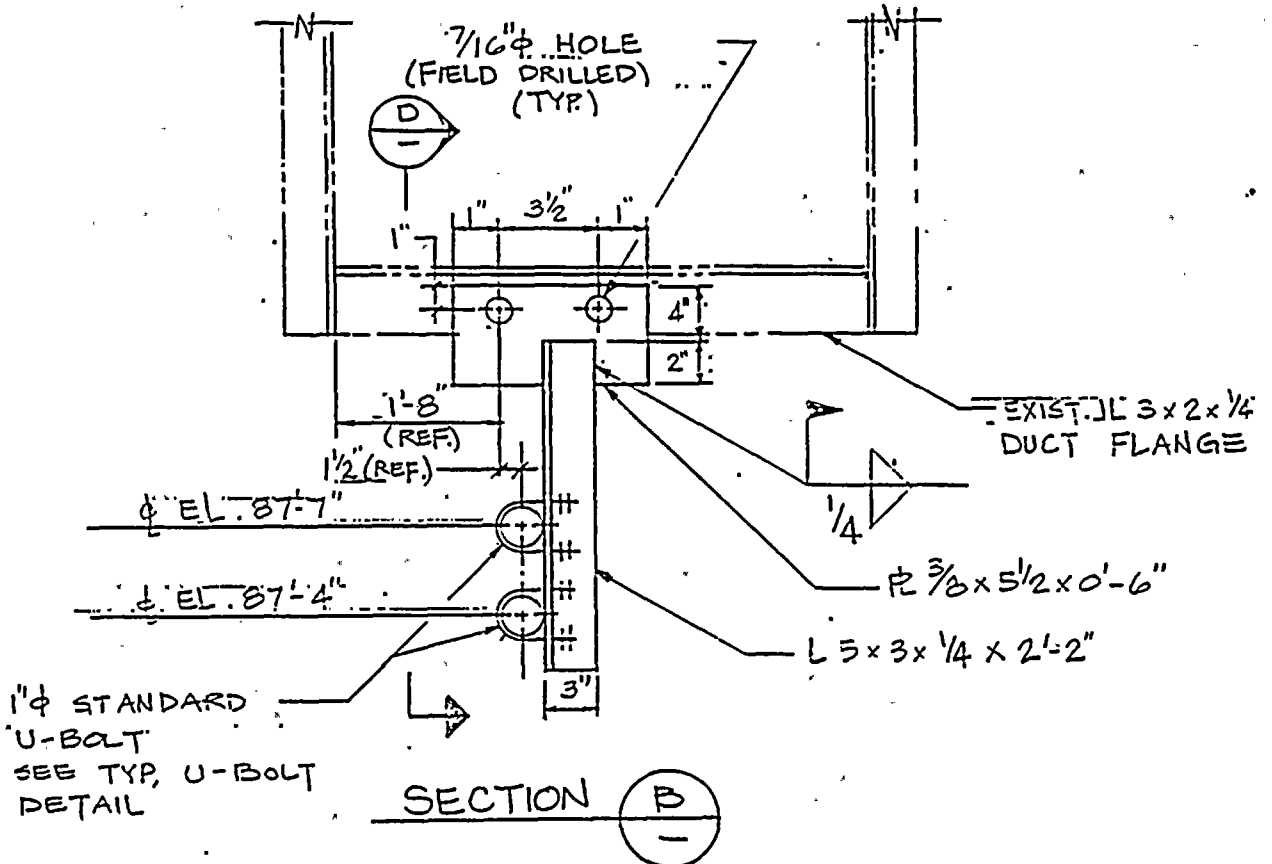
THIS FORM IDENTIFIES REQUIRED PROCEDURES. COMPLETION OF THE FORM DOES NOT SIGNIFY APPROVAL, ACCEPTANCE OR REVIEW BY APS OF ANY DOCUMENTS DESCRIBED THEREIN OR OMITTED THEREFROM NOR DOES IT MODIFY OR RELEASE THE SUPPLIER/CONTRACTOR/A&E FROM ANY CONTRACTUAL OBLIGATIONS.



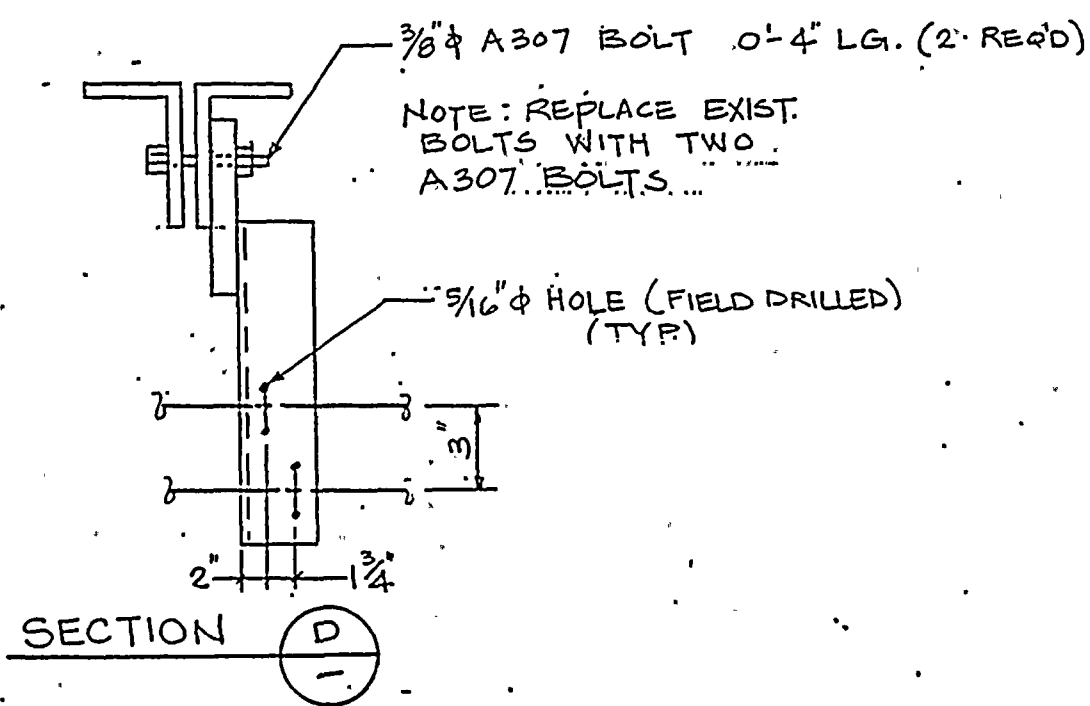
**FIELD CHANGE REQUEST (FCR)  
CONTINUATION SHEET**

FCR # P-A5194

PAGE 4 OF 5



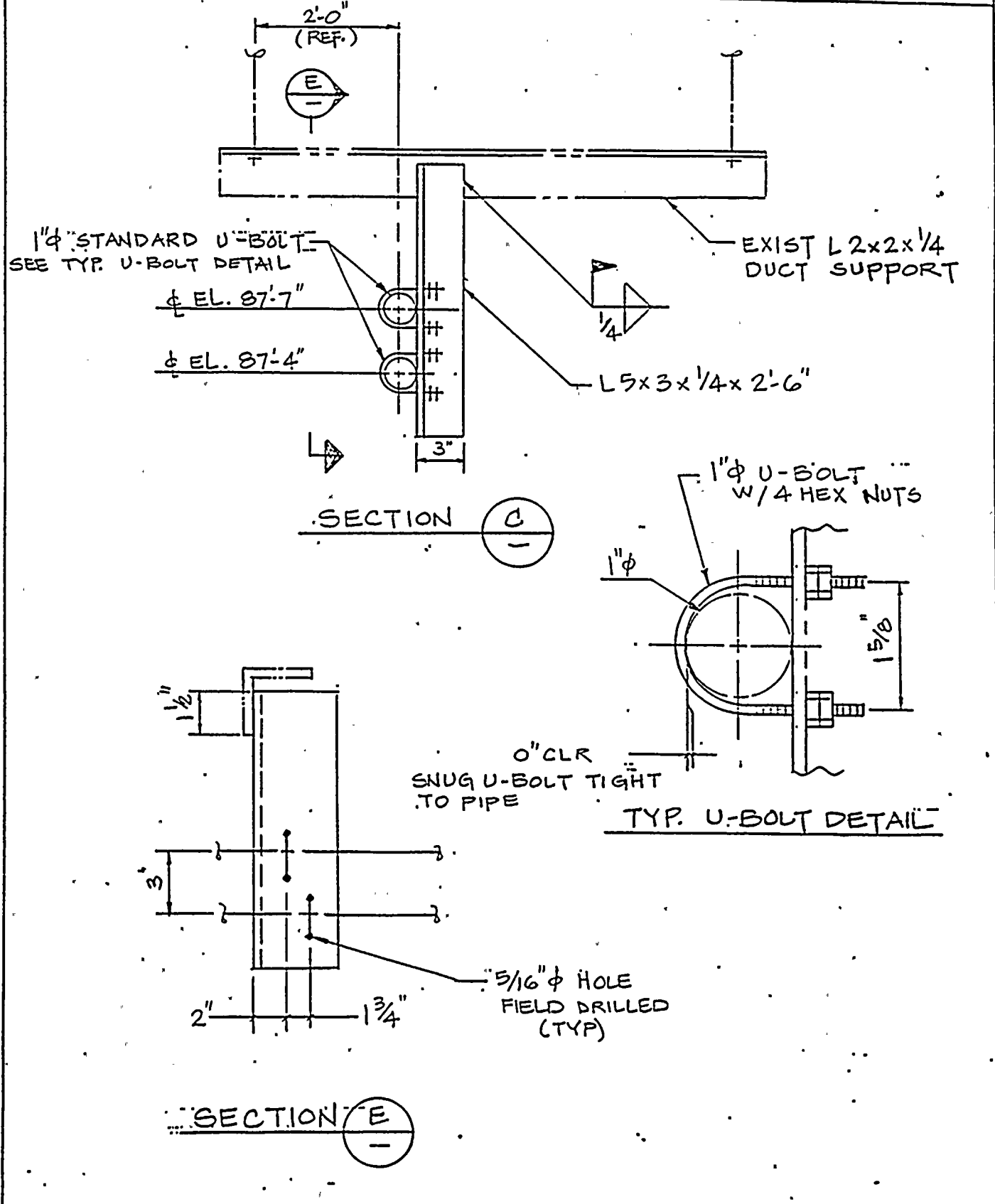
1"  $\phi$  STANDARD U-BOLT  
SEE TYP. U-BOLT  
DETAIL



# FOR INFORMATION ONLY

THIS FORM IDENTIFIES REQUIRED PROCEDURES. COMPLETION OF THE FORM DOES NOT SIGNIFY APPROVAL, ACCEPTANCE OR REVIEW BY APS OF ANY DOCUMENTS DESCRIBED THEREIN OR OMITTED THEREFROM NOR DOES IT MODIFY OR RELEASE THE SUPPLIER/CONTRACTOR/A&E FROM ANY CONTRACTUAL OBLIGATIONS.


 <p><b>FIELD CHANGE REQUEST (FCR)</b> CONTINUATION SHEET</p>	<p>FCR # <u>PA5194</u></p>	<p>PAGE <u>5</u> OF <u>5</u></p>
---------------------------------------------------------------------------------------------------------------------------------------------------	----------------------------	----------------------------------





# FOR INFORMATION ONLY

THIS FORM IDENTIFIES REQUIRED PROCEDURES. COMPLETION OF THE FORM DOES NOT SIGNIFY APPROVAL, ACCEPTANCE OR REVIEW BY APS OF ANY DOCUMENTS DESCRIBED THEREIN OR OMITTED THEREFROM NOR DOES IT MODIFY OR RELEASE THE SUPPLIER/CONTRACTOR/E/C FROM ANY CONTRACTUAL OBLIGATIONS

 <b>FIELD CHANGE REQUEST (FCR)</b>		FCR # <u>P.A. 5195</u>	PAGE <u>1</u> OF <u>2</u>
QUALITY CLASS <u>S</u>	DATE (MO/DAY/YR) <u>4/17/87</u>	SCN/DCN/SDCN #	
REF DWG OR SPEC <u>AO-P-ZYC-012</u>	REV. # <u>2</u>	TITLE <u>Technical Support Center HVAC Exhaust Plans, Sections &amp; Details</u>	
DESIGN ORGANIZATION <input checked="" type="checkbox"/> NE <input type="checkbox"/> NO		<input type="checkbox"/> UNIT 1 <input type="checkbox"/> UNIT 3 <input type="checkbox"/> WRF <input type="checkbox"/> UNIT 2 <input checked="" type="checkbox"/> COMMON <input type="checkbox"/> OTHER	
REQUESTED BY <u>N.A.</u>		AFFECTED UNIT(S)	
DCP #/SMOD # <u>A-5M-HN-001</u>		PCR/PCP # <u>87-AO-HN-001</u>	
EXISTING CONDITION <u>Radiation Sample Probes are located in an improper location</u>			
CHANGE REQUEST/SKETCH  <u>RELOCATE RADIATION MONITOR SAMPLE PIPING FROM OUTSIDE AIR SUPPLY DUCT TO RECIRC. DUCT</u>			
PROJECT IMPACT: <input type="checkbox"/> SCHEDULE <input checked="" type="checkbox"/> COST <input type="checkbox"/>			
PREPARED BY (PLEASE TYPE OR PRINT)    PHONE    DATE <u>Wayne Dobberpuhl</u> <u>x4076</u> <u>4/17/87</u>		E/C DISPOSITION	
REQUESTOR DEPT. <u>N/A</u>		A <u>N/A</u> COMPANY	
A <u>N/A</u> REVIEWED BY (SIGNATURE)    DATE		B <u>N/A</u> REVIEWED BY (SIGNATURE)    DATE	
B <u>N/A</u> CONCURRED BY (SIGNATURE)    DATE		C <u>N/A</u> APPROVED BY (SIGNATURE)    DATE	
A <u>Wayne Dobberpuhl</u> NUCLEAR ENGINEERING/    DATE REVIEWED BY (SIGNATURE) <u>4/17/87</u>		A <u>[Signature]</u> PVNGS ENGINEERING    DATE REVIEWED BY (SIGNATURE) <u>4/30/87</u>	
B <u>[Signature]</u> APPROVED BY (SIGNATURE)    DATE DATE <u>4/17/87</u>		B <u>[Signature]</u> REVIEWED BY (SIGNATURE)    DATE DATE <u>5/1/87</u>	
C <u>[Signature]</u> APPROVED BY (SIGNATURE)    DATE DATE <u>5/4/87</u>		C <u>[Signature]</u> APPROVED BY (SIGNATURE)    DATE DATE <u>5/1/87</u>	
CONCURRED BY - IF REQ. (SIGNATURE)    DATE <u>N/A</u>		CONCURRED BY - IF REQ. (SIGNATURE)    DATE <u>N/A</u>	
REMARKS: <u>ISSUE AS DCN</u>			



# FOR INFORMATION ONLY

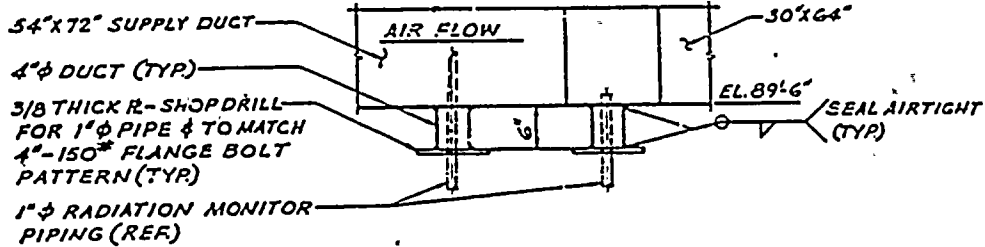
THIS FORM IDENTIFIES REQUIRED PROCEDURES. COMPLETION OF THE FORM DOES NOT SIGNIFY APPROVAL, ACCEPTANCE OR REVIEW BY APS OF ANY DOCUMENTS DESCRIBED THEREIN OR OMITTED THEREFROM NOR DOES IT MODIFY OR RELEASE THE SUPPLIER/CONTRACTOR/EC FROM ANY CONTRACTUAL OBLIGATIONS



**FIELD CHANGE REQUEST (FCR)  
CONTINUATION SHEET**

FCR NO: PA5195 Page 2 of 2

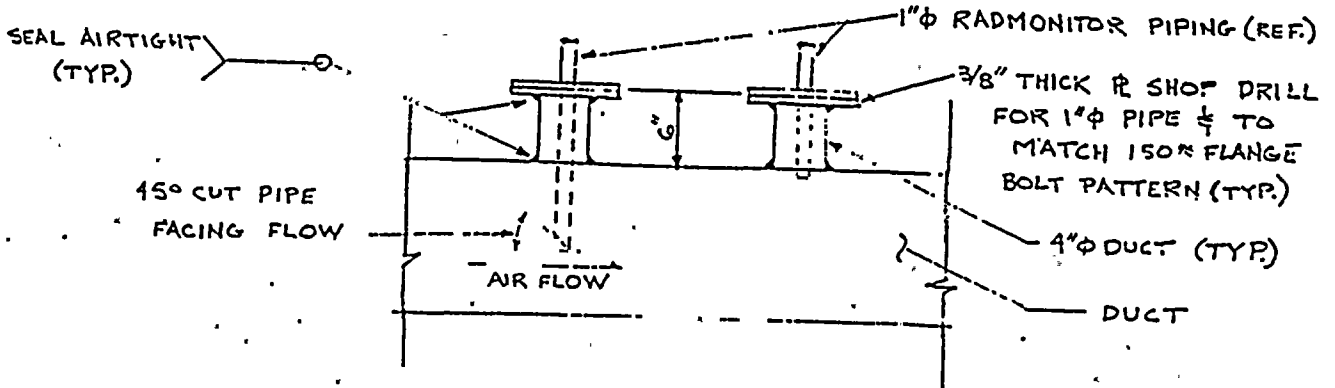
WAS (COORDINATE G-3):



**DETAIL**  
NO SCALE 1  
011

NOTE: FOR 3"φ VENT LINE USE 6"φ DUCT AND DRILL 3/8" THICK R AS REQ'D.

CHANGE TO:



**DETAIL**  
NO SCALE 1  
011

NOTE: FOR 3"φ VENT LINE USE 6"φ DUCT AND DRILL 3/8" THICK R AS REQ'D.