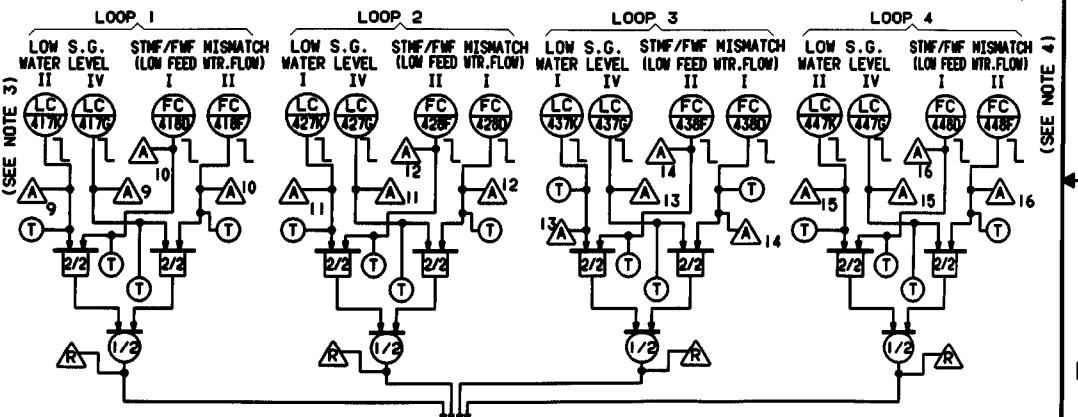


SAFEGUARDS LOGIC (SHEET 12a)

2 SEC.

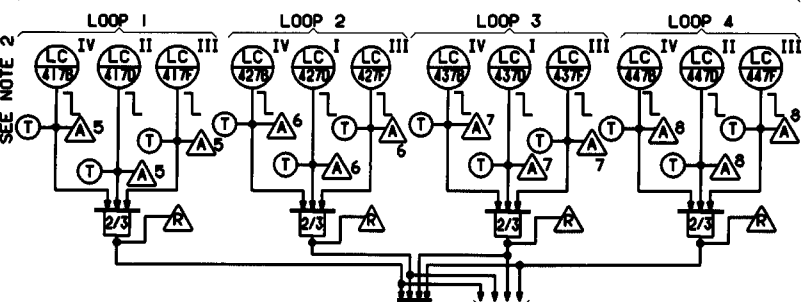
SAFEGUARDS LOGIC (SHEET 12a)

LOW S.G. FEEDWATER FLOW REACTOR TRIP LOGIC



REACTOR TRIP (SHEET 2)

STEAM GEN. (LOW LOW) WATER LEVEL



REACTOR TRIP (SHEET 2)

NOTES:

1. SETPOINTS OF STEAM FLOW BISTABLES ARE ADJUSTABLE AND SET BY TURBINE FIRST STAGE PRESSURE.
2. LEVEL BISTABLES SET TO ACTUATE AT APPROX. 8X LEVEL (STM. GEN. VERY LOW WTR LVL.)
3. LEVEL BISTABLES SET TO ACTUATE AT APPROX. 8X LEVEL (STM. GEN. LOW WTR LVL.)
4. FLOW BISTABLES SET TO ACTUATE AT APPROX. 40X FLOW (LOW FEED WTR FLOW).
5. Δ PRESSURE BISTABLES SET TO ACTUATE AT APPROX. 125PSI (STM. LINE DIFF. PRESS.).
6. TEMP. BISTABLES SET TO ACTUATE AT APPROX. 542°F. (LOW T AVG)
7. PRESSURE BISTABLES SET TO ACTUATE AT APPROX. 616 PSI (LOW STM. LINE PRESS.)

THIS IS A COMPUTER AIDED DESIGN DRAWING. A RECORD OF THE REVISIONS OF THIS DOCUMENT WITH APPROVAL INITIALS/SIGNATURE, IS MAINTAINED IN THE FILES OF THE AUTHORITY'S DESIGN & DRAFTING SECTION, NPO.

1984M012

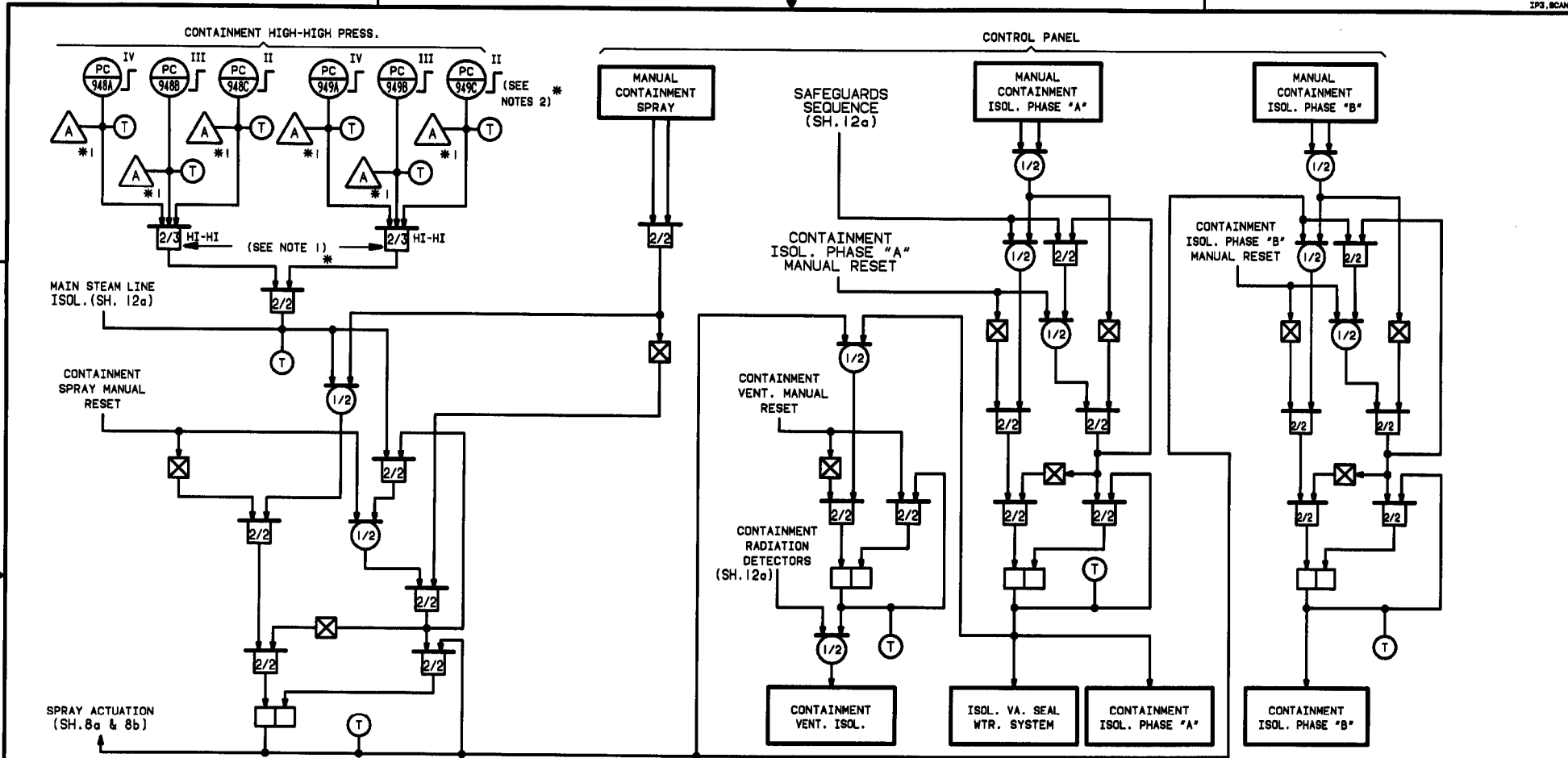
DIR/CR'D	INDIAN POINT NO.3 NUCLEAR POWER PLANT
DES SUPV	
DISCIPLINE ENG	
DISCIPLINE DFR	
PROJ APPROVAL	LOGIC DIAGRAMS STEAM GENERATOR TRIP SIGNALS
DATE	

REV NO	DATE	DESCRIPTION	BY	CHKD	APP'D	RES
7	01/16/84	AS BUILT PER DCR 100145329	DL	PL	RL	RES
6	02/28/84	AS BUILT PER DCR 100122764.	SM	JN	RR	RES
5	3/18/84	AS BUILT PER MOD. #88-03-0355SIS & DCR #100044179.	PN	SM	AS	RES

REVISIONS



SCALE	NONE
DWG NO	5651D72
SHEET	10
REV	7



NOTES:

- * 1. SPRAY ACTUATION BI-STABLES ARE ENERGIZED TO ACTUATE.
- * 2. PRESSURE BI-STABLES SET TO ACTUATE AT APPROX. 22 PSIG (CONTAINMENT HIGH-HIGH PRESS.).

THIS IS A COMPUTER AIDED DESIGN DRAWING. A RECORD OF THE REVISIONS OF THIS DOCUMENT WITH APPROVAL INITIALS/SIGNATURE, IS MAINTAINED IN THE FILES OF THE AUTHORITY'S DESIGN & DRAFTING SECTION, WPO.

1984 M014

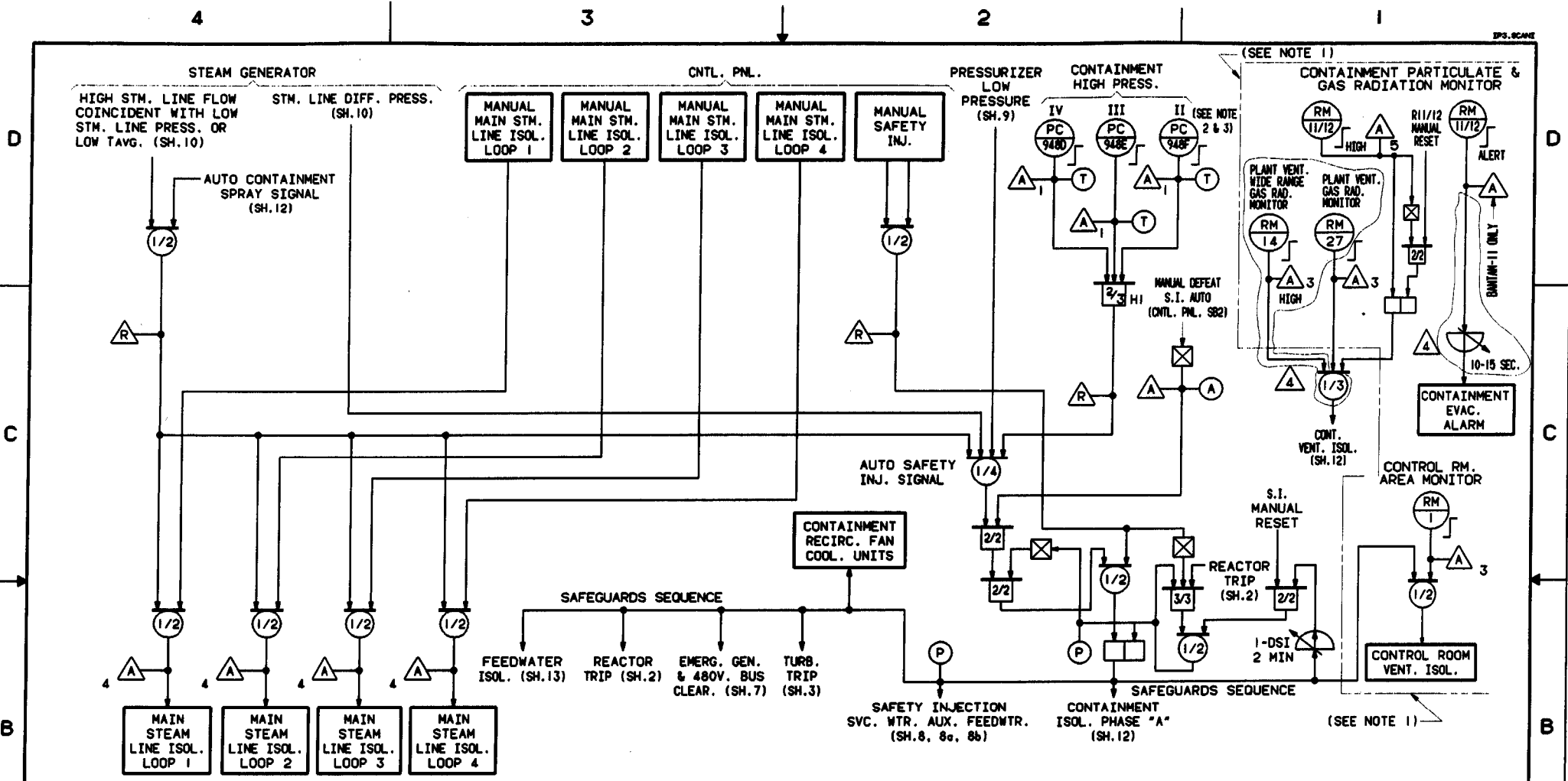
REV NO	DATE	DESCRIPTION	DM	DR	DE	PRJ
11		AS BUILT PER DCR 100109232.	DM	DR	DE	PRJ
10	7/6/82	AS BUILT PER DCR 100058107.	DM	DR	DE	PRJ
9	7/13/82	AS BUILT PER PLANT WALKDOWN.	DM	DR	DE	PRJ
8	4/18/80	AS BUILT PER IP3 TECH. SERVICES #TS-284E.	DM	DR	DE	PRJ
7	1/8/80	AS BUILT PER IP3 TECH. SERV. & MOD #88-03-033 RP.	DM	DR	DE	PRJ

DESIGN/CHK'D	INDIAN POINT NO.3 NUCLEAR POWER PLANT
DES SURV	
DISCIPLINE ENG	
DISCIPLINE DIR	
PROJ APPROVAL	
DATE	LOGIC DIAGRAMS SAFEGUARDS ACTUATION SHEET-1



SCALE: NONE	REV 11
DWG NO 5651D72	
SHEET 12	

REVISIONS



NOTES:

1. ENCLOSED CIRCUITRY IS NOT PART OF THE SAFEGUARDS SYSTEM & IS NOT REDUNDANT.
2. PC-948D IS FED FROM A SEPERATE INVERTER POWER SUPPLY.
3. PRESS. BISTABLES SET TO ACTUATE AT APPROX. 3 PSIG. (CONTAIN. HIGH PRESSURE).

THIS IS A COMPUTER AIDED DESIGN DRAWING. A RECORD OF THE REVISIONS OF THIS DOCUMENT WITH APPROVAL INITIALS/SIGNATURES, IS MAINTAINED IN THE FILES OF THE NEW YORK POWER AUTHORITY'S CONFIGURATION MANAGEMENT & ENGINEERING PROGRAMS SECTION W.P.O.

1984MD15

DNV/CHK'D	INDIAN POINT NO.3 NUCLEAR POWER PLANT	
DES SUPV	LOGIC DIAGRAMS SAFEGUARDS ACTUATION	
DISCIPLINE ID#		
DISCIPLINE DIR		
PROJ APPROVAL		
DATE		
New York Power Authority	SCALE	NONE
	DWG NO	5651072
	REV	4

REV NO	DATE	DESCRIPTION	CHK'D	APP'D	REV	REG
4	9/23/84	AS BUILT PER DCR 100128259	SH	FR	AV	REG
3	9/23/84	AS BUILT PER DCR 100122765	SH	FR	AV	REG
2	6/9/84	AS BUILT PER DCR 100109231	DN	FR	AV	REG
			DN	FR	AV	REG

UCLC

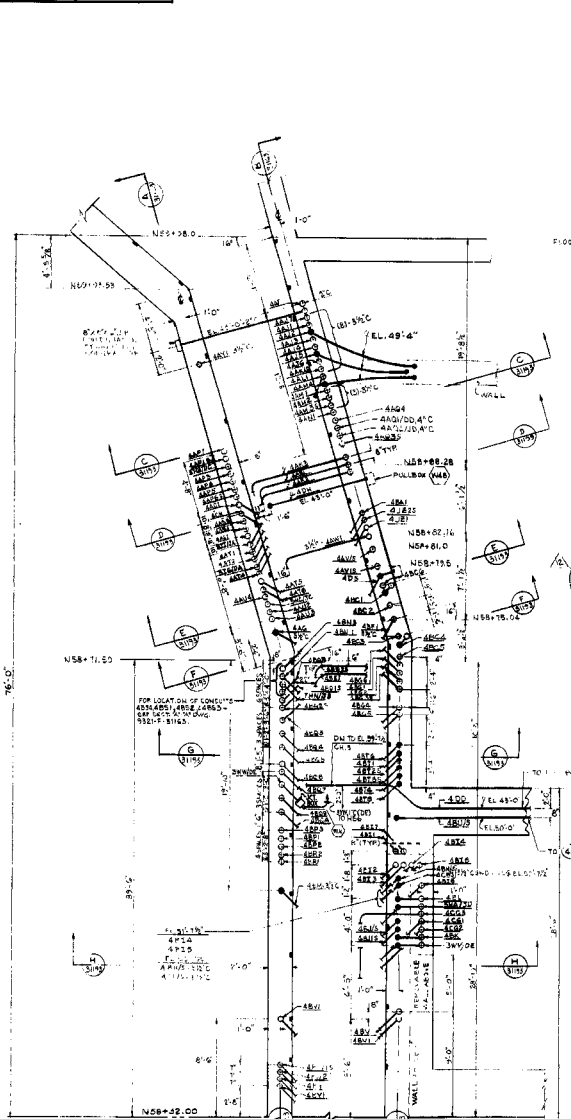
9321-F-31193

UCLC

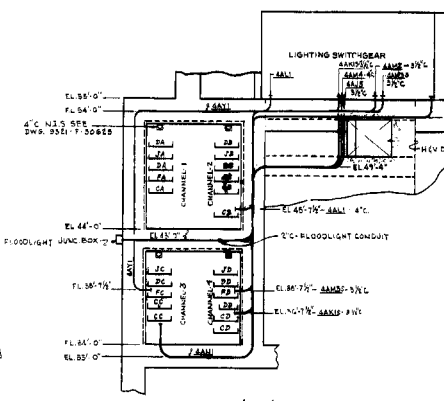
9321-F-31193

A202384
 Title Block

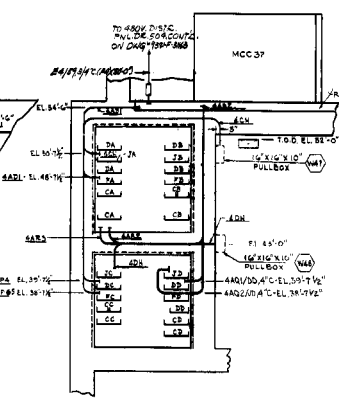
THIS IS A
 GENERAL
 DRAWING
 FOR THE
 ELECTRICAL
 TUNNELS
 OF THE
 CONSOLIDATED
 EDISON COMPANY
 INDIAN POINT
 GENERATING STATION
 UNIT NO. 2
 DRAWING NO.
 9321-F-31193
 REVISED
 11/17/74
 PP



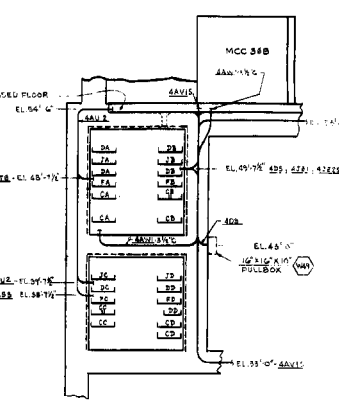
PARTIAL PLAN TUNNEL EL. 44'-0"
 SCALE 1/4" = 1'-0"
 (9321-F-31193)



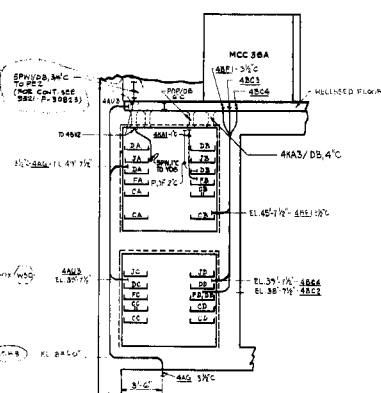
SECTION C-C
 SCALE 1/4" = 1'-0"
 (9321-F-31193)



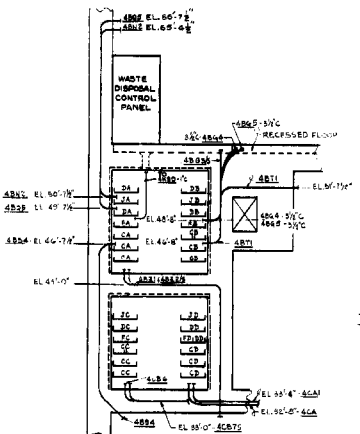
SECTION D-D
 SCALE 1/4" = 1'-0"
 (9321-F-31193)



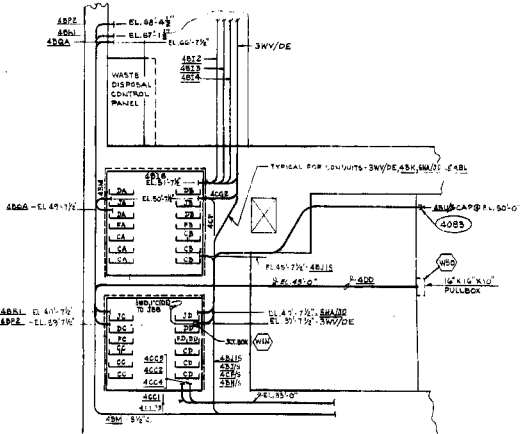
SECTION E-E
 SCALE 1/4" = 1'-0"
 (9321-F-31193)



SECTION F-F
 SCALE 1/4" = 1'-0"
 (9321-F-31193)



SECTION G-G
 SCALE 1/4" = 1'-0"
 (9321-F-31193)

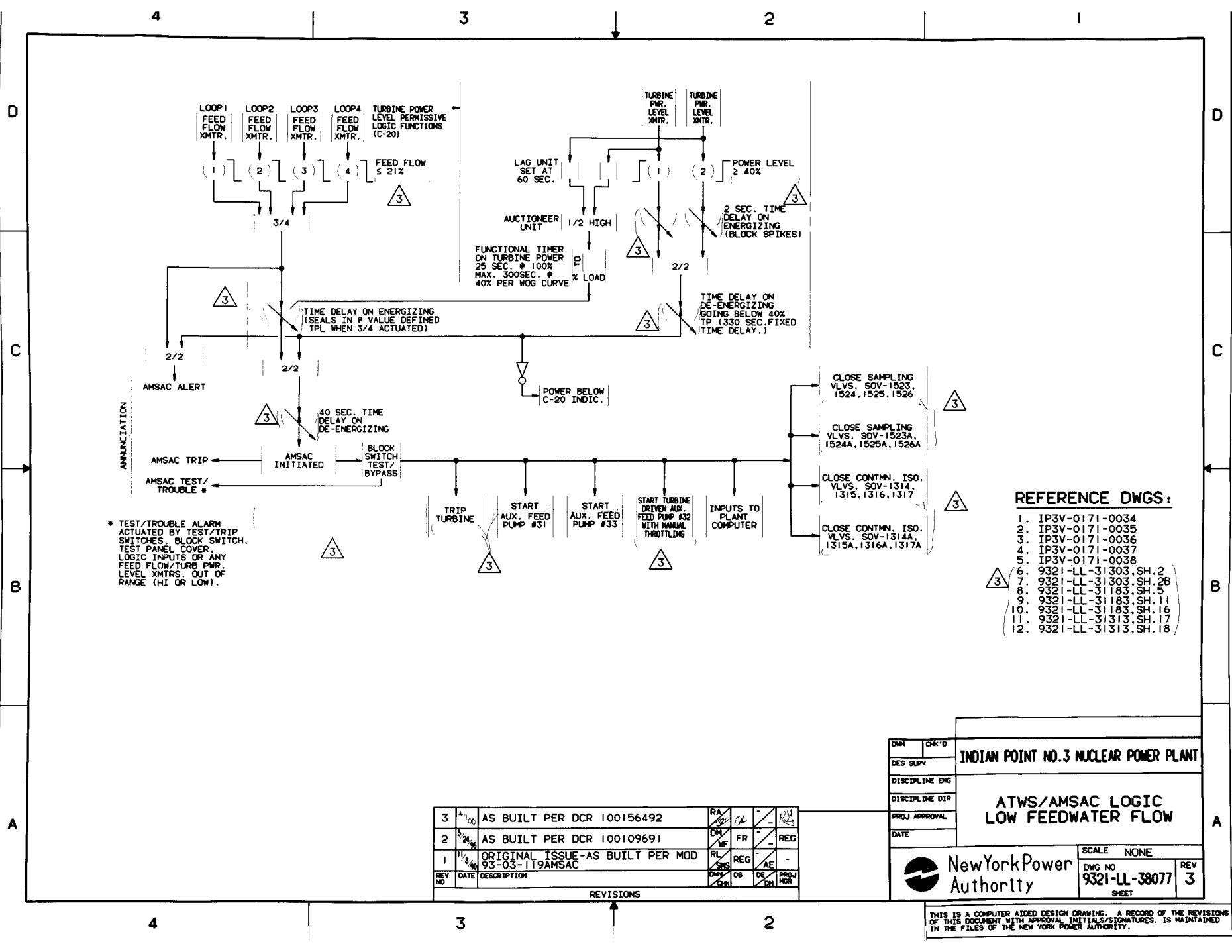


SECTION H-H
 SCALE 1/4" = 1'-0"
 (9321-F-31193)

1	AS BUILT PER MOD 519	
2	AS BUILT PER MOD 519	
3	AS BUILT PER MOD 519	
4	AS BUILT PER MOD 519	
5	AS BUILT PER MOD 519	
6	AS BUILT PER MOD 519	
7	AS BUILT PER MOD 519	
8	AS BUILT PER MOD 519	
9	AS BUILT PER MOD 519	
10	AS BUILT PER MOD 519	
11	AS BUILT PER MOD 519	
12	AS BUILT PER MOD 519	
13	AS BUILT PER MOD 519	
14	AS BUILT PER MOD 519	
15	AS BUILT PER MOD 519	
16	AS BUILT PER MOD 519	
17	AS BUILT PER MOD 519	
18	AS BUILT PER MOD 519	
19	AS BUILT PER MOD 519	
20	AS BUILT PER MOD 519	
21	AS BUILT PER MOD 519	
22	AS BUILT PER MOD 519	
23	AS BUILT PER MOD 519	
24	AS BUILT PER MOD 519	
25	AS BUILT PER MOD 519	
26	AS BUILT PER MOD 519	
27	AS BUILT PER MOD 519	
28	AS BUILT PER MOD 519	
29	AS BUILT PER MOD 519	
30	AS BUILT PER MOD 519	
31	AS BUILT PER MOD 519	
32	AS BUILT PER MOD 519	
33	AS BUILT PER MOD 519	
34	AS BUILT PER MOD 519	
35	AS BUILT PER MOD 519	
36	AS BUILT PER MOD 519	
37	AS BUILT PER MOD 519	
38	AS BUILT PER MOD 519	
39	AS BUILT PER MOD 519	
40	AS BUILT PER MOD 519	
41	AS BUILT PER MOD 519	
42	AS BUILT PER MOD 519	
43	AS BUILT PER MOD 519	
44	AS BUILT PER MOD 519	
45	AS BUILT PER MOD 519	
46	AS BUILT PER MOD 519	
47	AS BUILT PER MOD 519	
48	AS BUILT PER MOD 519	
49	AS BUILT PER MOD 519	
50	AS BUILT PER MOD 519	
51	AS BUILT PER MOD 519	
52	AS BUILT PER MOD 519	
53	AS BUILT PER MOD 519	
54	AS BUILT PER MOD 519	
55	AS BUILT PER MOD 519	
56	AS BUILT PER MOD 519	
57	AS BUILT PER MOD 519	
58	AS BUILT PER MOD 519	
59	AS BUILT PER MOD 519	
60	AS BUILT PER MOD 519	
61	AS BUILT PER MOD 519	
62	AS BUILT PER MOD 519	
63	AS BUILT PER MOD 519	
64	AS BUILT PER MOD 519	
65	AS BUILT PER MOD 519	
66	AS BUILT PER MOD 519	
67	AS BUILT PER MOD 519	
68	AS BUILT PER MOD 519	
69	AS BUILT PER MOD 519	
70	AS BUILT PER MOD 519	
71	AS BUILT PER MOD 519	
72	AS BUILT PER MOD 519	
73	AS BUILT PER MOD 519	
74	AS BUILT PER MOD 519	
75	AS BUILT PER MOD 519	
76	AS BUILT PER MOD 519	
77	AS BUILT PER MOD 519	
78	AS BUILT PER MOD 519	
79	AS BUILT PER MOD 519	
80	AS BUILT PER MOD 519	
81	AS BUILT PER MOD 519	
82	AS BUILT PER MOD 519	
83	AS BUILT PER MOD 519	
84	AS BUILT PER MOD 519	
85	AS BUILT PER MOD 519	
86	AS BUILT PER MOD 519	
87	AS BUILT PER MOD 519	
88	AS BUILT PER MOD 519	
89	AS BUILT PER MOD 519	
90	AS BUILT PER MOD 519	
91	AS BUILT PER MOD 519	
92	AS BUILT PER MOD 519	
93	AS BUILT PER MOD 519	
94	AS BUILT PER MOD 519	
95	AS BUILT PER MOD 519	
96	AS BUILT PER MOD 519	
97	AS BUILT PER MOD 519	
98	AS BUILT PER MOD 519	
99	AS BUILT PER MOD 519	
100	AS BUILT PER MOD 519	

WESTINGHOUSE ELECTRIC CORPORATION
CONDUIT PLAN
P.A.B. - ELECTRICAL TUNNELS
ENCASED CONDUITS
 FOR
CONSOLIDATED EDISON COMPANY
INDIAN POINT GENERATING STATION
 UNIT NO. 2
 U.S. PAT. OFF. DES. OFF. 7-58
 9321-F-31193 12 A202384

ENT: 4/25/00 TIME: 10:08 ACCESS: NONE
 SUBGRP: MARK SCALE: 1:0000 DRAWN: LL-38077
 LAST FILE: 0006 10-07



* TEST/TROUBLE ALARM ACTUATED BY TEST/TRIP SWITCHES, BLOCK SWITCH, TEST PANEL COVER, LOGIC INPUTS OR ANY FEED FLOW/TURB PWR. LEVEL XMTRS. OUT OF RANGE (HI OR LOW).

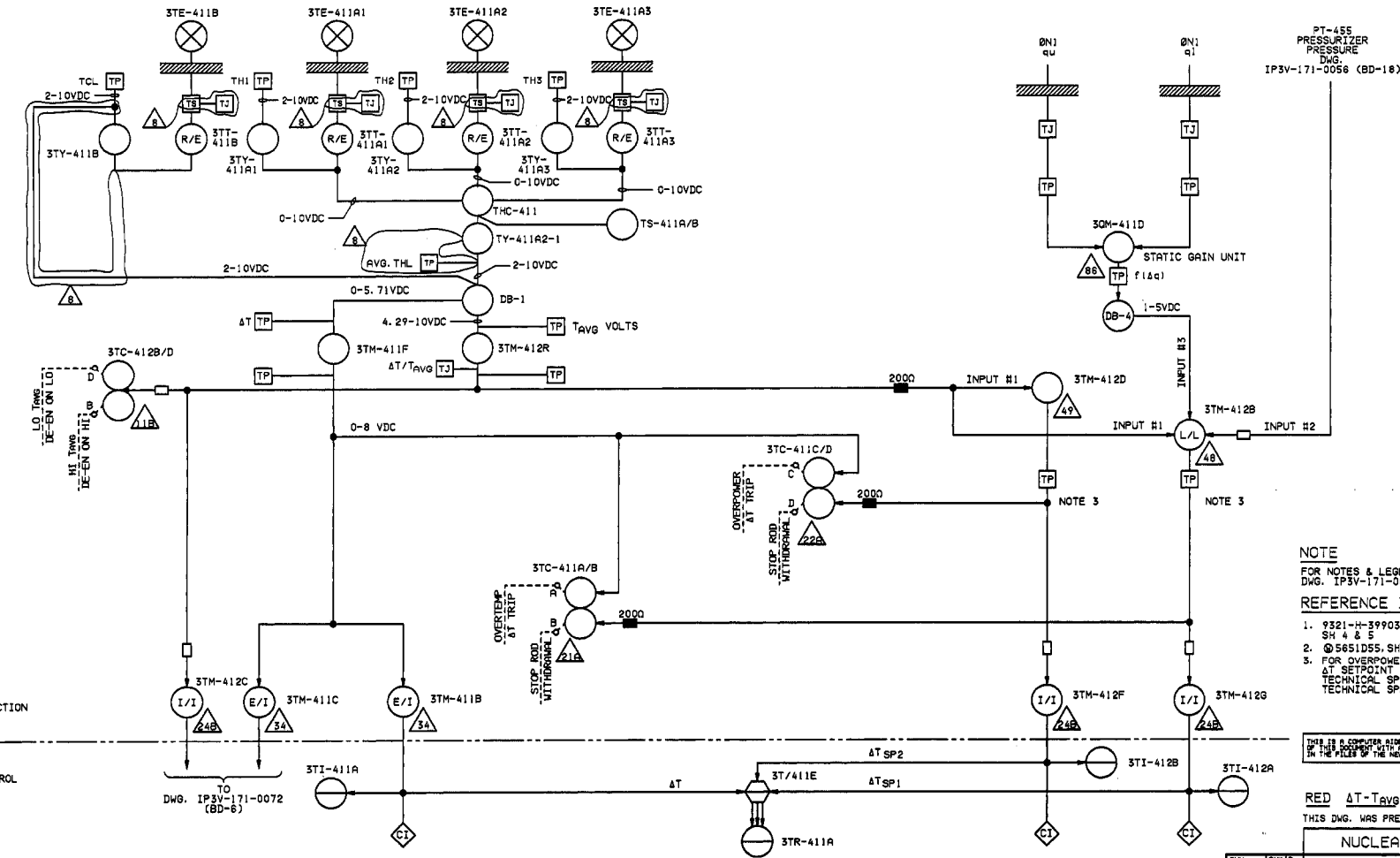
- REFERENCE DWGS:**
1. IP3V-0171-0034
 2. IP3V-0171-0035
 3. IP3V-0171-0036
 4. IP3V-0171-0037
 5. IP3V-0171-0038
 6. 9321-LL-31303, SH.2
 7. 9321-LL-31303, SH.28
 8. 9321-LL-31183, SH.5
 9. 9321-LL-31183, SH.11
 10. 9321-LL-31183, SH.16
 11. 9321-LL-31313, SH.17
 12. 9321-LL-31313, SH.18

REV NO	DATE	DESCRIPTION	APP'D	CHK'D	DESIGN	DATE	BY
3	4/1/00	AS BUILT PER DCR 100156492	RA	16	-	-	REG
2	5/29/99	AS BUILT PER DCR 100109691	DM	WF	FR	-	REG
1	11/8/98	ORIGINAL ISSUE-AS BUILT PER MOD 93-03-119AMSAC	RL	SIS	REG	AE	-

DMN	CHK'D	INDIAN POINT NO.3 NUCLEAR POWER PLANT
DES SUPV		
DISCIPLINE ENG		ATWS/AMSAC LOGIC LOW FEEDWATER FLOW
DISCIPLINE DIR		
PROJ APPROVAL		
DATE		
		SCALE NONE
		DWG NO 9321-LL-38077
		REV 3
		SHEET

THIS IS A COMPUTER AIDED DESIGN DRAWING. A RECORD OF THE REVISIONS OF THIS DOCUMENT WITH APPROVAL INITIALS/SIGNATURES, IS MAINTAINED IN THE FILES OF THE NEW YORK POWER AUTHORITY.

ΔT-TAVG LOOP-1 RED CHANNEL I



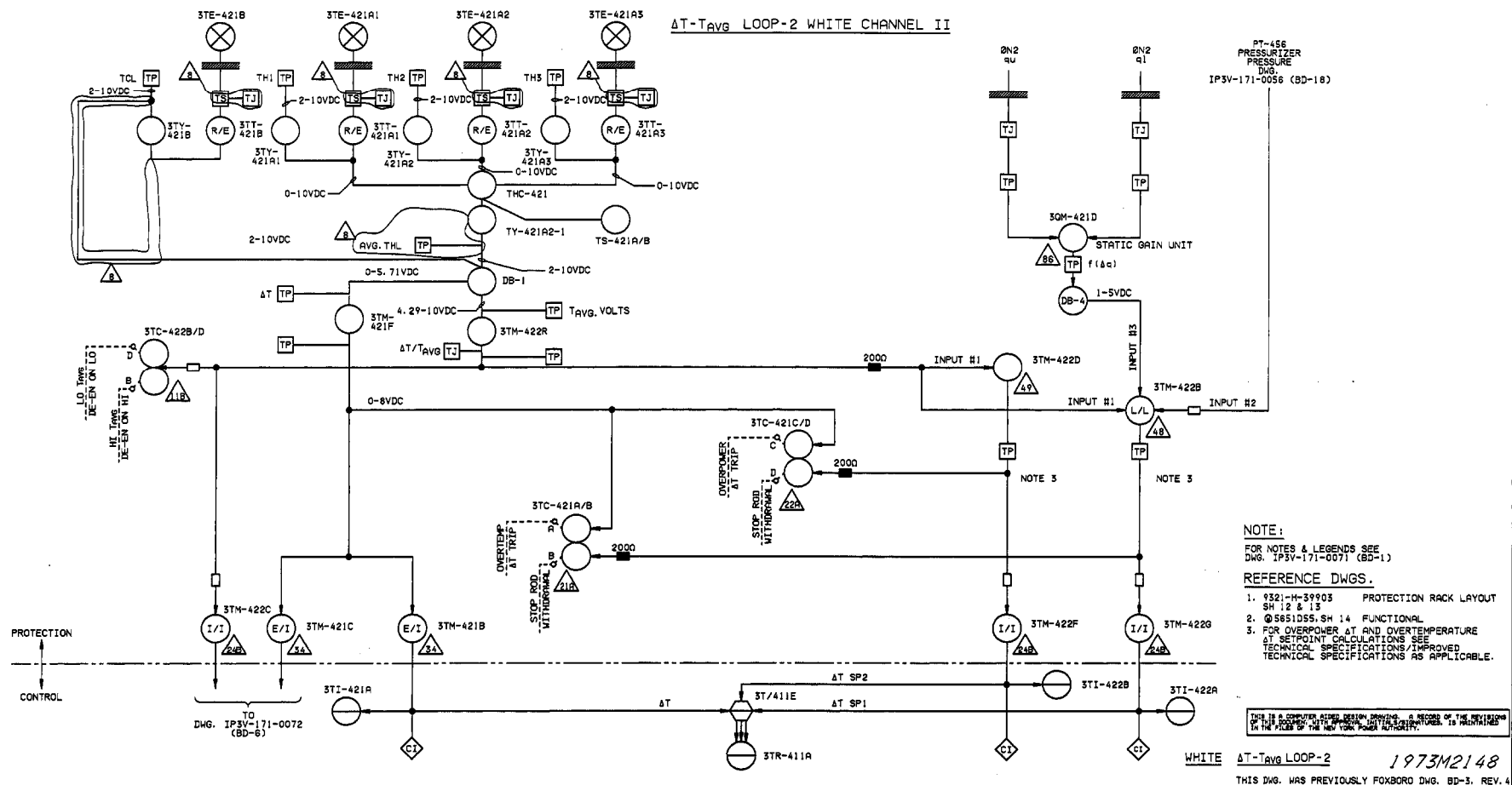
NOTE
 FOR NOTES & LEGENDS SEE
 DWG. IP3V-171-0071 (BD-1)
REFERENCE DWGS.
 1. 9321-H-39903 PROTECTION RACK LAYOUT
 SH 4 & 5
 2. 5651D55, SH 13 FUNCTIONAL
 3. FOR OVERPOWER ΔT AND OVERTEMPERATURE
 ΔT SETPOINT CALCULATIONS SEE
 TECHNICAL SPECIFICATIONS/IMPROVED
 TECHNICAL SPECIFICATIONS AS APPLICABLE.

THIS IS A COMPUTER AIDED DESIGN DRAWING. A RECORD OF THE REVISIONS
 IN THE FILES OF THE NEW YORK POWER AUTHORITY.
 1973M2147
RED ΔT-TAVG LOOP-1
 THIS DWG. WAS PREVIOUSLY FOXBORO DWG. RBD-2 REV. 4.

DWG. CHK'D		INDIAN POINT NO. 3 NUCLEAR POWER PLANT
DES. SUPV.		
DISCIPLINE ENR		
DISCIPLINE OTR		
PROJ. APPROVAL		INSTRUMENT BLOCK DIAGRAM INTEGRATING REACTOR PROTECTION SYSTEM
DATE		
		SCALE: NONE
		DWG NO. IP3V-171-0052
		SHEET 8

REV NO	DATE	DESCRIPTION	BY	CHK'D	APP'D
8	M/100	AS BUILT PER DCR 100159196			
7	M/30	AS BUILT PER DCR 100157101			
6	M/10	AS BUILT PER DCR 100095192 & 100028276			
5	M/17	AS BUILT PER DCR 100042584 & 100052888			

ΔT-Tavg LOOP-2 WHITE CHANNEL II



NOTE:
 FOR NOTES & LEGENDS SEE
 DWG. IP3V-171-0071 (BD-1)

REFERENCE DWGS.
 1. 9321-H-39903 PROTECTION RACK LAYOUT
 SH 12 & 13
 2. 5851D95, SH 14 FUNCTIONAL
 3. FOR OVERPOWER AT AND OVERTEMPERATURE
 AT SETPOINT CALCULATIONS SEE
 TECHNICAL SPECIFICATIONS/IMPROVED
 TECHNICAL SPECIFICATIONS AS APPLICABLE.

THIS IS A COMPUTER AIDED DESIGN DRAWING. A RECORD OF THE REVISIONS OF THE DRAWING IS MAINTAINED IN THE FILES OF THE NEW YORK POWER AUTHORITY.

WHITE ΔT-Tavg LOOP-2 **1973M2148**
 THIS DWG. WAS PREVIOUSLY FOXBORO DWG. BD-3, REV. 4

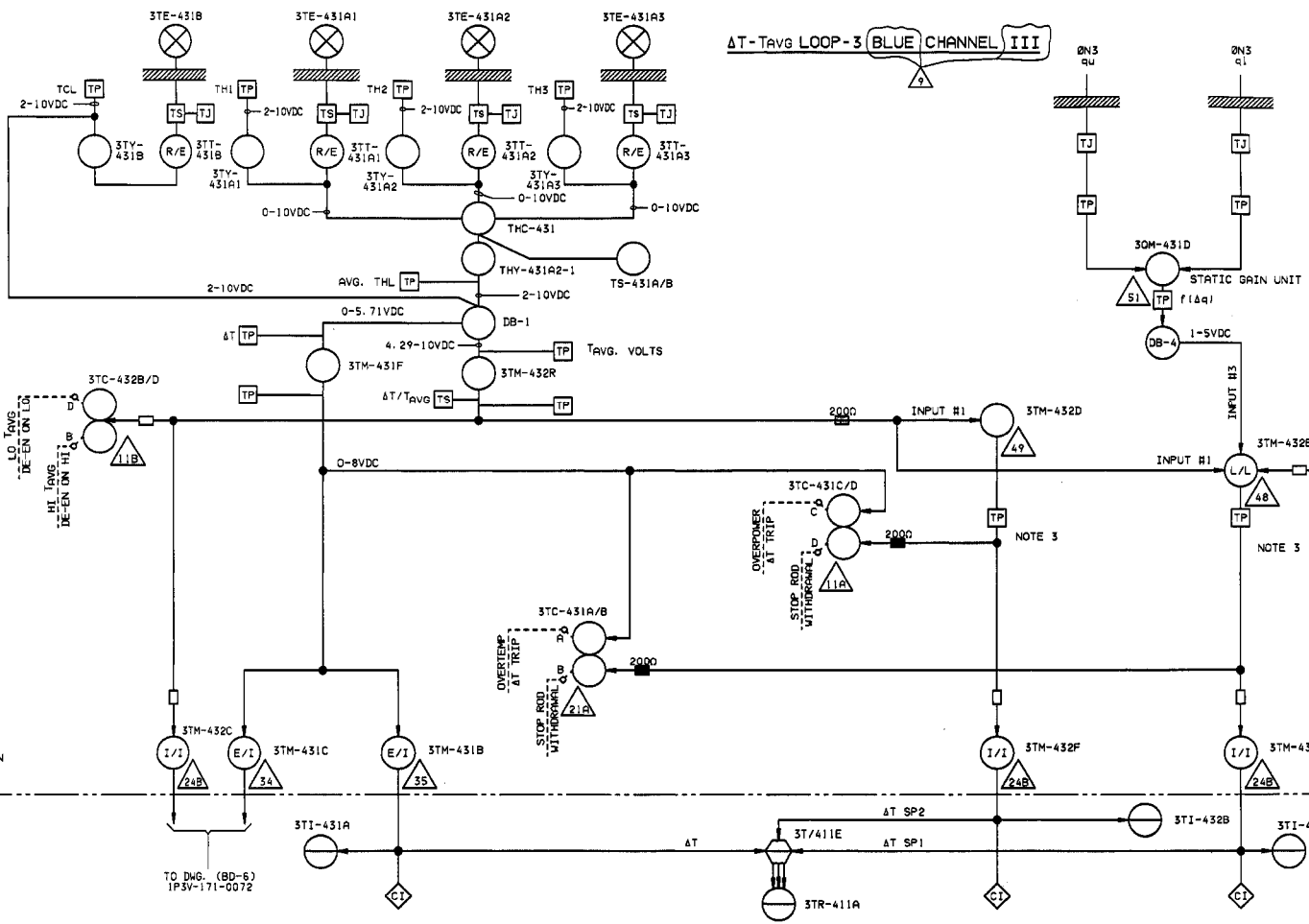
DWG. NO.	IP3V-171-0053
REV.	8
DATE	
SCALE	NONE
DESCRIPTION	INSTRUMENT BLOCK DIAGRAM INTEGRATING REACTOR PROTECTION SYSTEM

New York Power Authority

REV. NO.	DATE	DESCRIPTION	BY	CHK'D	APP'D
8	11/10/00	AS BUILT PER DCR 100159193			
7	4/11/94	AS BUILT PER DCR 100157102			
6	1/11/93	AS BUILT PER DCR 100095194 & 100028276			
5	3/11/93	AS BUILT PER DCR 100042583 & 100052901			

ΔT-TAVG LOOP-3 (BLUE CHANNEL III)

PT-457
PRESSURIZER
PRESSURE
SEE DWG. (BD-18)
IP3V-171-0056



NOTE:
FOR NOTES & LEGENDS SEE
DWG. IP3V-171-0071 (8D-1)

REFERENCE DWGS.

- 9321-H-39903 PROTECTION RACK LAYOUT
SH 20 & 21
- @5651D55:SH 15 FUNCTIONAL
- FOR OVERPOWER ΔT AND OVERTEMP: ΔT SETPOINT CALCULATIONS SEE TECHNICAL SPECIFICATIONS/IMPROVED TECHNICAL SPECIFICATIONS AS APPLICABLE.

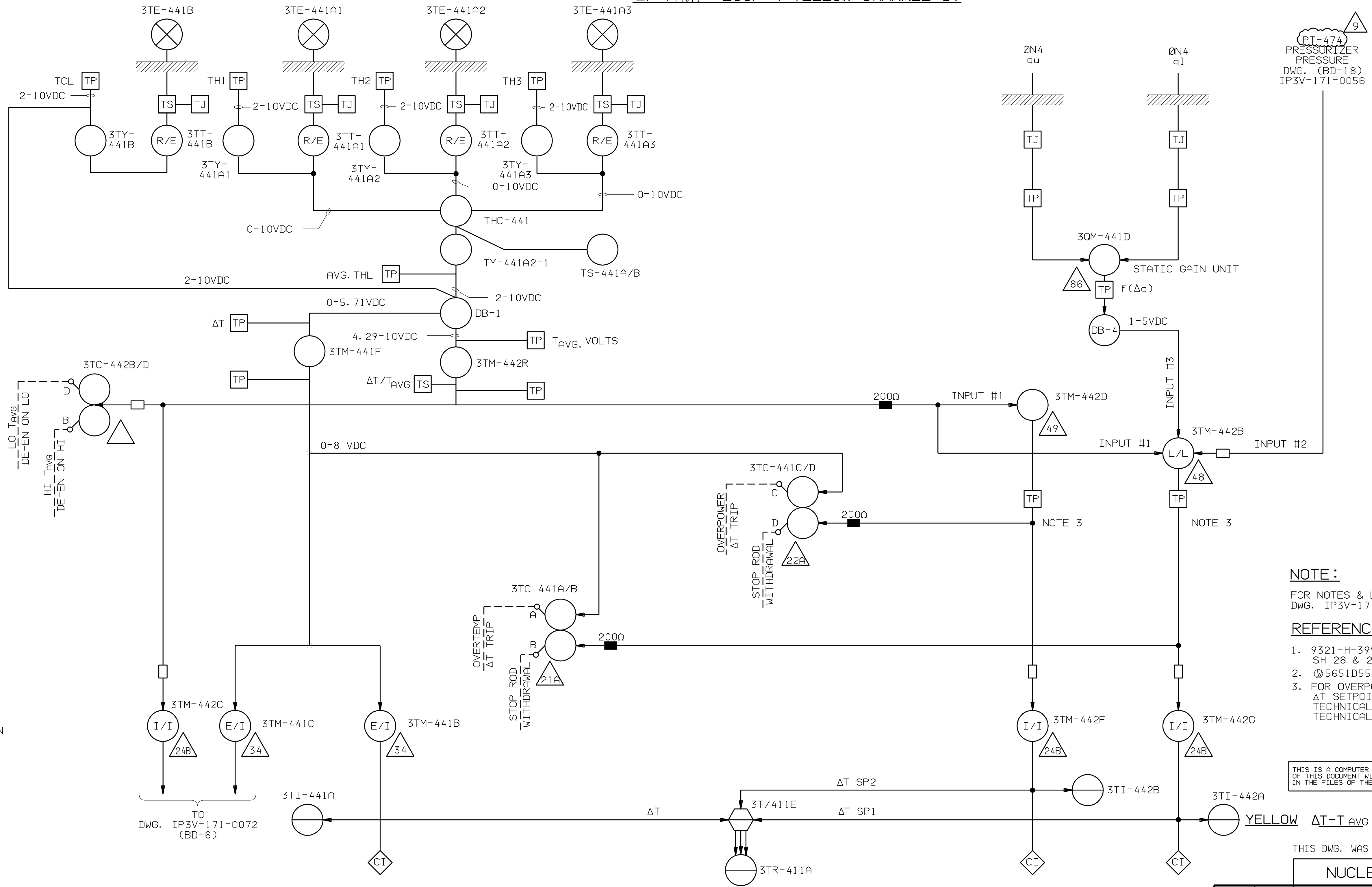
THIS IS A COMPUTER AIDED DESIGN DRAWING. A RECORD OF THE REVISIONS OF THIS DOCUMENT WITH APPROVAL INITIALS AND SIGNATURES IS MAINTAINED IN THE FILES OF THE NEW YORK POWER AUTHORITY.

BLUE
ΔT-TAVG LOOP-3 **1973M2149**
THIS DWG. WAS PREVIOUSLY FOXBORO DWG. HBD-4, REV. 4.

DWN		CR'D	
DES SUPV			
DISCIPLINE ENG			
DISCIPLINE DIR			
PROJ APPROVAL			
DATE			
		SCALE: NONE	REV
		DWG NO	9
		IP3V-171-0054	
		SHEET	

REV NO	DATE	DESCRIPTION	BY	CHK	APP	REQ
9	9/8/85	AS BUILT PER DCR 100159509	SH	FR	REG	
8	11/17/80	AS BUILT PER DCR 100159174	SH	FR	REG	
7	9/1/80	AS BUILT PER DCR 100157103	SH	FR	REG	
6	9/1/80	AS BUILT PER DCR 100095196 & 100028276	SH	FR	REG	
5	9/1/80	AS BUILT PER DCR 100042582 & 100052906	SH	FR	REG	

$\Delta T - T_{AVG}$ LOOP-4 YELLOW CHANNEL IV



NOTE:
FOR NOTES & LEGENDS SEE
DWG. IP3V-171-0071 (BD-1)

- REFERENCE DWGS.**
- 9321-H-39903 PROTECTION RACK LAYOUT SH 28 & 29
 - 05651D55, SH 16 FUNCTIONAL
 - FOR OVERPOWER ΔT AND OVERTEMPERATURE ΔT SETPOINT CALCULATIONS SEE TECHNICAL SPECIFICATIONS/IMPROVED TECHNICAL SPECIFICATIONS AS APPLICABLE.

THIS IS A COMPUTER AIDED DESIGN DRAWING. A RECORD OF THE REVISIONS OF THIS DOCUMENT WITH APPROVAL INITIALS/SIGNATURES, IS MAINTAINED IN THE FILES OF THE NEW YORK POWER AUTHORITY.

TO DWG. IP3V-171-0072 (BD-6)
YELLOW $\Delta T - T_{AVG}$ LOOP-4 1973M2150
THIS DWG. WAS PREVIOUSLY FOXBORO DWG. #BD-5 REV. 4

NUCLEAR SAFETY RELATED

INDIAN POINT NO. 3 NUCLEAR POWER PLANT

**INSTRUMENT BLOCK DIAGRAM
INTEGRATING
REACTOR PROTECTION SYSTEM**

DWN	PMN	CHK'D
DES	SUPV	
DISCIPLINE	ENG	
DISCIPLINE	DIR	
PROJ	APPROVAL	
DATE		



SCALE: NONE
DWG NO
IP3V-171-0055
REV
9
SHEET

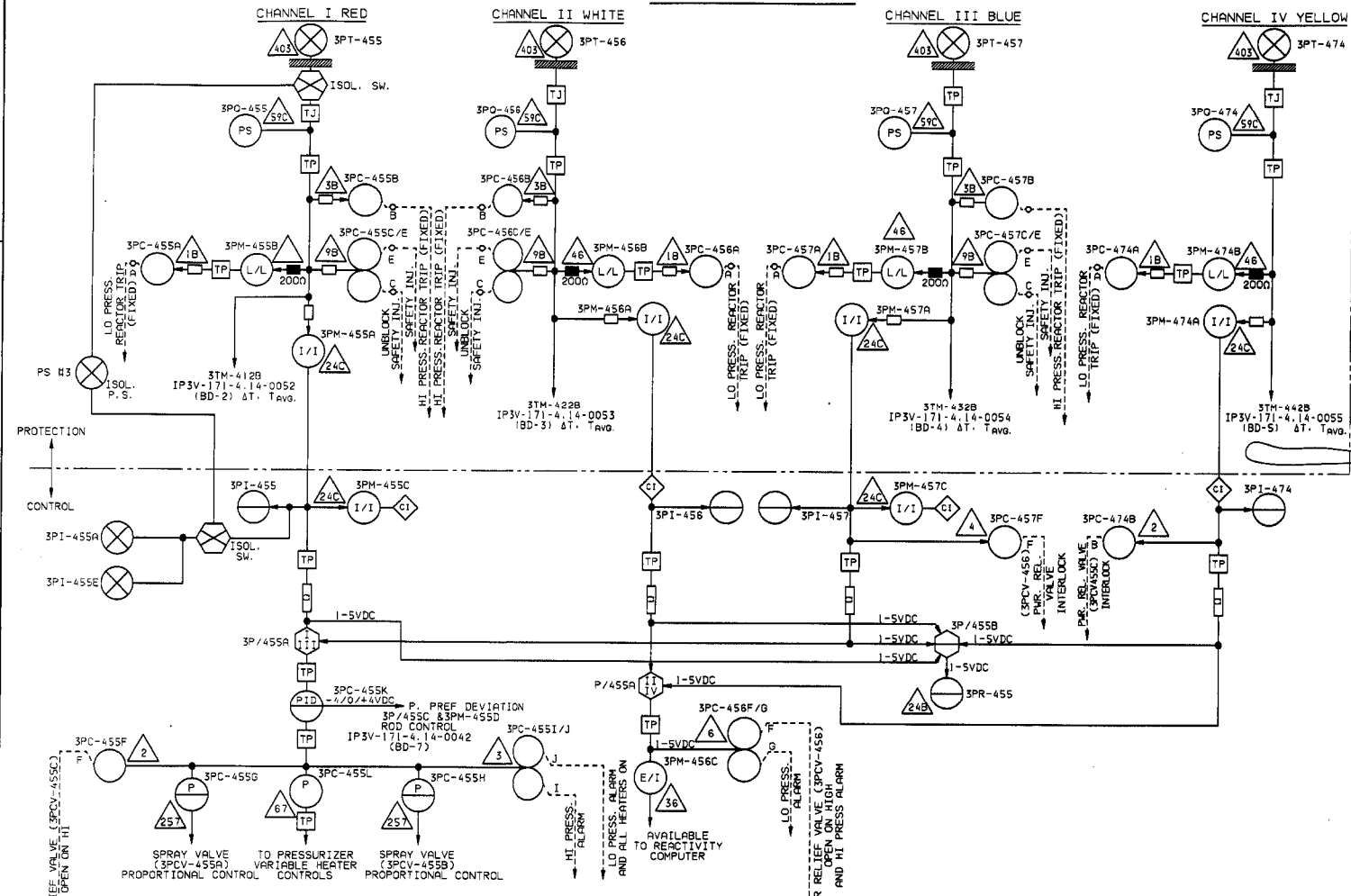
9	INCORPORATED EC-6493	3/12/08	GH	APPROVAL SIGNATURES ON FILE
REV	DESCRIPTION	DATE	BY	CHK'D APP.
REVISIONS				

8 7 6 5 4 3 2 1

8 7 6 5 4 3 2 1

1 TYPE A (FSAR)

PRESSURIZER PRESSURE



NOTE:
 FOR NOTES & LEGENDS SEE
 DWG. IP3V-171-4.20-0071 (BD-1)

REFERENCE DWGS.
 5651D55 SH. 1 = FUNCTIONAL

THIS IS A COMPUTER AIDED DESIGN DRAWING. A RECORD OF THE REVISIONS OF THIS DOCUMENT WITH APPROVE INITIALS AND DATES, IS MAINTAINED IN THE FILES OF THE NEW YORK POWER AUTHORITY.

PRESSURIZER PRESS. 1973M2163
 THIS DWG. WAS PREVIOUSLY FOXBORO DWG. BD-18, REV. 5.

NUCLEAR SAFETY RELATED	
INDIAN POINT NO. 3 NUCLEAR POWER PLANT	
INSTRUMENT BLOCK DIAGRAM INTEGRATING REACTOR PROTECTION & CONTROL SYSTEM	

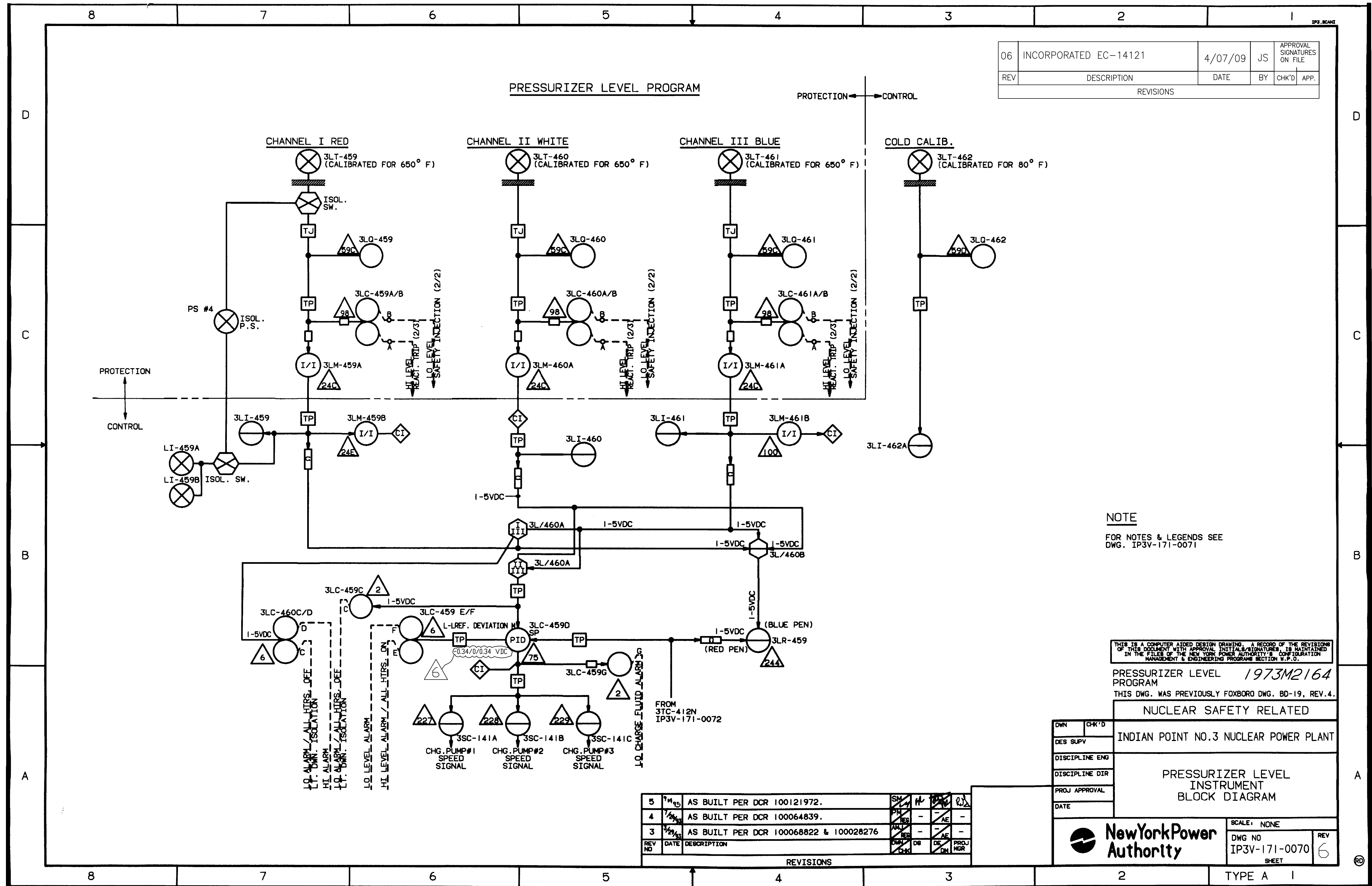
DWG. PMN	CHK'D
DES. SLUP	
DISCIPLINE ENG.	
DISCIPLINE DIR.	
PROJ. APPROVAL	
DATE	



SCALE: NONE
 DWG NO: IP3V-171-0056
 SHEET: 6

REV	DATE	DESCRIPTION	BY	CHK'D	REV	REG
6	9/1/82	AS BUILT PER DCR 100157119	AK	AK	REG	
5	8/2/81	AS BUILT PER DCR 100124998.	AK	FR	REG	
4	8/1/80	AS BUILT PER DCR 100109242.	AK	FR	REG	
3	8/1/79	AS BUILT PER DCR 100058497.	AK	FR	REG	
2						
1						

REVISIONS



06	INCORPORATED EC-14121	4/07/09	JS	APPROVAL SIGNATURES ON FILE
REV	DESCRIPTION	DATE	BY	CHK'D APP.
REVISIONS				

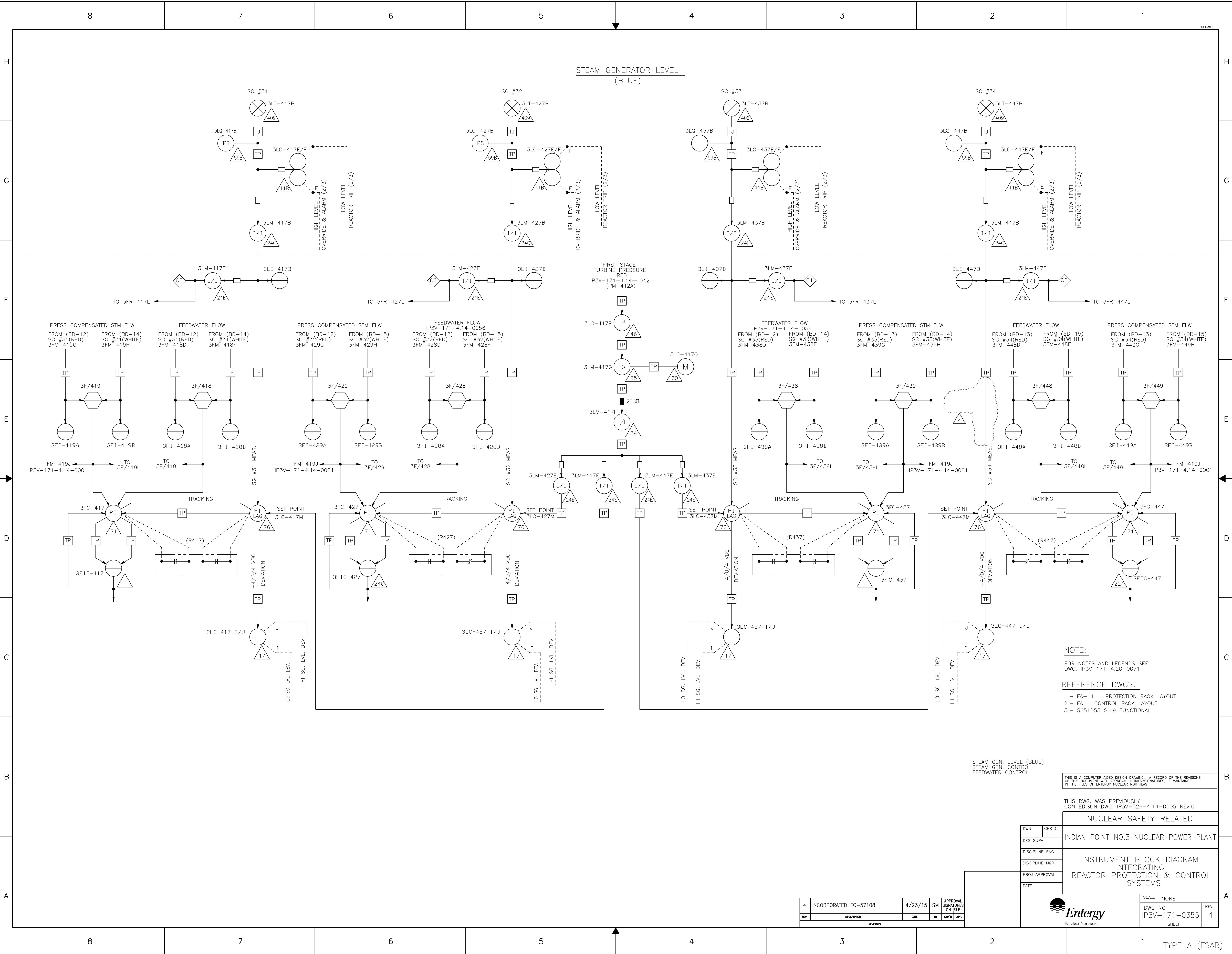
NOTE
FOR NOTES & LEGENDS SEE
DWG. IP3V-171-0071

THIS IS A COMPUTER AIDED DESIGN DRAWING. A RECORD OF THE REVISIONS OF THIS DOCUMENT WITH APPROVAL INITIALS & SIGNATURES IS MAINTAINED IN THE FILES OF THE NEW YORK POWER AUTHORITY'S CONFIGURATION MANAGEMENT & ENGINEERING PROGRAMS SECTION W.P.O.
PRESSURIZER LEVEL **1973M2164**
PROGRAM
THIS DWG. WAS PREVIOUSLY FOXBORO DWG. BD-19, REV.4.

NUCLEAR SAFETY RELATED	
INDIAN POINT NO.3 NUCLEAR POWER PLANT	
DISCIPLINE DIR	
PRESSURIZER LEVEL INSTRUMENT BLOCK DIAGRAM	
PROJ APPROVAL	
DATE	
SCALE: NONE	DWG NO: IP3V-171-0070
	REV: 6

REV NO	DATE	DESCRIPTION	CHK'D	DES	APP'D	PROJ MGR
5	9/15/05	AS BUILT PER DCR 100121972.	SM	H	AE	AE
4	8/30/05	AS BUILT PER DCR 100064839.	SM	AE	AE	AE
3	7/29/03	AS BUILT PER DCR 100068822 & 100028276	SM	AE	AE	AE

TYPE A 1



STEAM GENERATOR LEVEL
(BLUE)

NOTE:

FOR NOTES AND LEGENDS SEE
DWG. IP3V-171-4.20-0071

REFERENCE DWGS.

- 1.- FA-11 = PROTECTION RACK LAYOUT.
- 2.- FA = CONTROL RACK LAYOUT.
- 3.- 5651D55 SH.9 FUNCTIONAL

STEAM GEN. LEVEL (BLUE)
STEAM GEN. CONTROL
FEEDWATER CONTROL

THIS IS A COMPUTER AIDED DESIGN DRAWING. A RECORD OF THE REVISIONS
OF THIS DOCUMENT WITH APPROVAL INITIALS/SIGNATURES, IS MAINTAINED
IN THE FILES OF ENTERGY NUCLEAR NORTHEAST

THIS DWG. WAS PREVIOUSLY
CON EDISON DWG. IP3V-526-4.14-0005 REV.0

NUCLEAR SAFETY RELATED

INDIAN POINT NO.3 NUCLEAR POWER PLANT

DISCIPLINE ENG
DISCIPLINE MGR.
PROJ APPROVAL
DATE

INSTRUMENT BLOCK DIAGRAM
INTEGRATING
REACTOR PROTECTION & CONTROL
SYSTEMS

SCALE NONE
DWG NO
IP3V-171-0355
SHEET 4



REV	DESCRIPTION	DATE	BY	CHK'D	APP.
4	INCORPORATED EG-57108	4/23/15	SM		APPROVAL SIGNATURES ON FILE

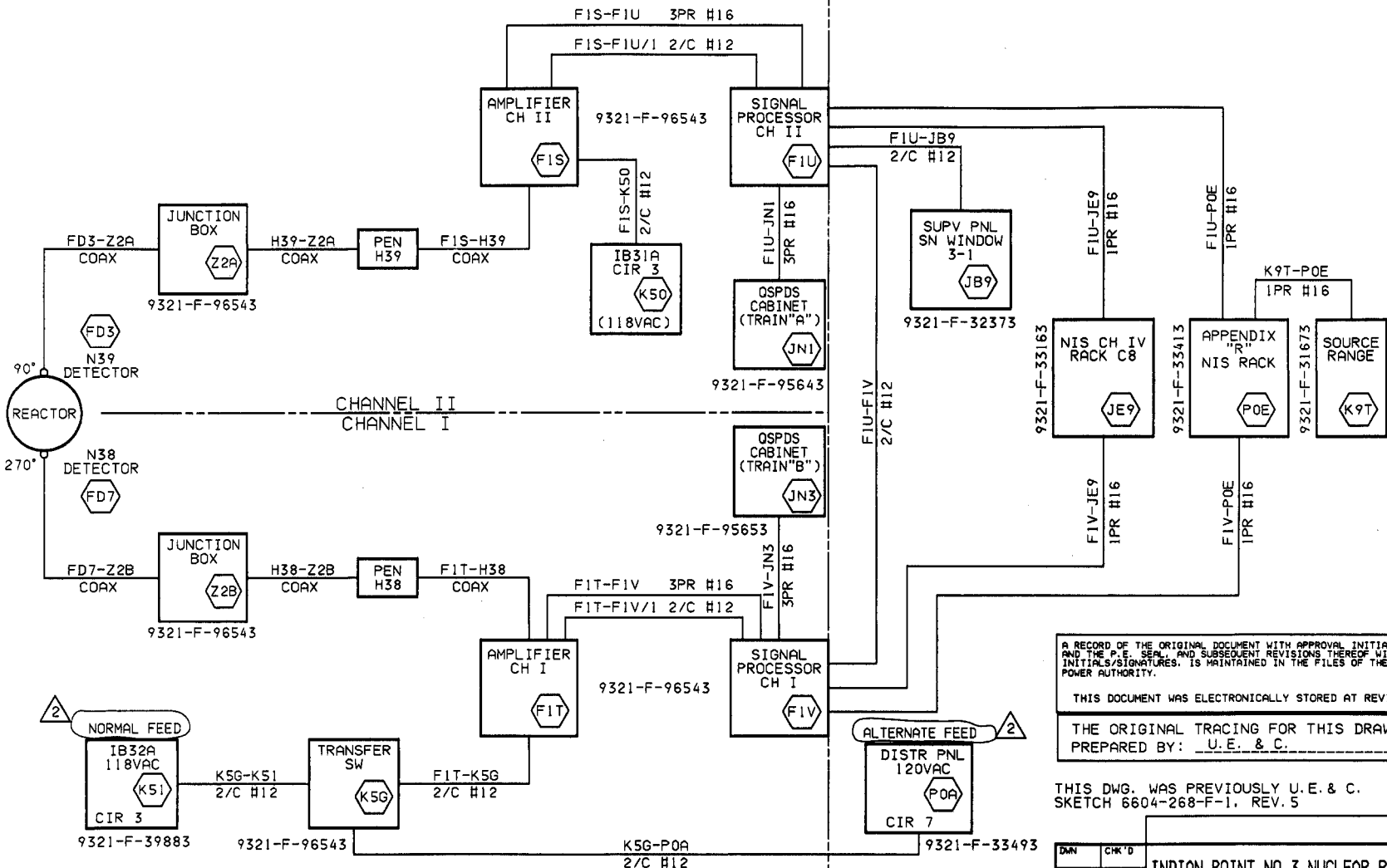
4

3

2

1

SAFETY RELATED (CATEGORY I) NON SAFETY RELATED (SIGNALS CATEGORY M)



A RECORD OF THE ORIGINAL DOCUMENT WITH APPROVAL INITIALS/SIGNATURES AND THE P. E. SEAL, AND SUBSEQUENT REVISIONS THEREOF WITH APPROVAL INITIALS/SIGNATURES, IS MAINTAINED IN THE FILES OF THE NEW YORK POWER AUTHORITY.

THIS DOCUMENT WAS ELECTRONICALLY STORED AT REVISION 0

THE ORIGINAL TRACING FOR THIS DRAWING WAS PREPARED BY: U.E. & C.

THIS DWG. WAS PREVIOUSLY U.E. & C. SKETCH 6604-268-F-1. REV. 5

REV NO	DATE	DESCRIPTION	DESIGN	CHECK	DATE	DESCRIPTION	DESIGN	CHECK	DATE	DESCRIPTION
2	9/1/78	AS BUILT PER DCR 100156762	RM	AL	AL	SD				
1	1/1/78	DOCUMENT ELECTRONICALLY CONVERTED	KS	RG	REG	AE				
			DW	CHK	DS	DE	DM	DM		

REVISIONS

DWG NO	INDIAN POINT NO. 3 NUCLEAR POWER PLANT	
DISCIPLINE ENG	SCHEMATIC BLOCK DIAGRAM	
DISCIPLINE MGR.	EXCORE NEUTRON FLUX	
PROJ APPROVAL	DETECTION SYSTEM	
DATE		
DWG NO	9321-LL-96553	REV 2
SHEET		

4

3

2

1 TYPE A (FSAR)

P&ID: 11-96553
 Form: 604/2000 11-30-78 Sup: 2124

7	INCORPORATED EC-28762	5/20/11	RM	APPROVAL SIGNATURES ON FILE
REV	DESCRIPTION	DATE	BY	CHK

SYMBOL LEGEND:

- TRAIN
- LTS HYDRAULIC ISOLATOR
 - LTS 1311 HYDRAULIC ISOLATOR REACTOR HEAD
 - LTS 1312 HYDRAULIC ISOLATOR SEAL TABLE
 - PT PRESSURE TRANSMITTER
 - LT LEVEL TRANSMITTER REACTOR VESSEL LEVEL-NARROW RANGE
 - LT LEVEL TRANSMITTER REACTOR VESSEL LEVEL-WIDE RANGE
 - TE 1313 RESISTANCE TEMP. DETECTOR REACTOR HEAD
 - TE 1314 RESISTANCE TEMP. DETECTOR REACTOR HEAD
 - TE 1317 RESISTANCE TEMP. DETECTOR SEAL TABLE
 - TE 1318 RESISTANCE TEMP. DETECTOR SEAL TABLE
 - TE 1319 RESISTANCE TEMP. DETECTOR SEAL TABLE
 - HIGH VOLUME SENSORS
 - CAPILLARY FILL VALVE

REFERENCE DRAWINGS:

- 9321-D-20163 FLOW DIAGRAM SYMBOLS
- 685J877, SH. 1, 2 & 3 INT. REACTOR PLANT BOTTOM MOUNTED INSTRUMENTS
- 9321-F-27383 FLOW DIAGRAM REACTOR COOLANT SYSTEM SHEET NO. 1
- 1ST-72043 INSERVICE INSPECTION REACTOR COOLANT SYSTEM

NOTE:

ALL VALVE NO.'S ARE PRECEDED BY "RC" AS SYSTEM DESIGNATION UNLESS OTHERWISE NOTED.

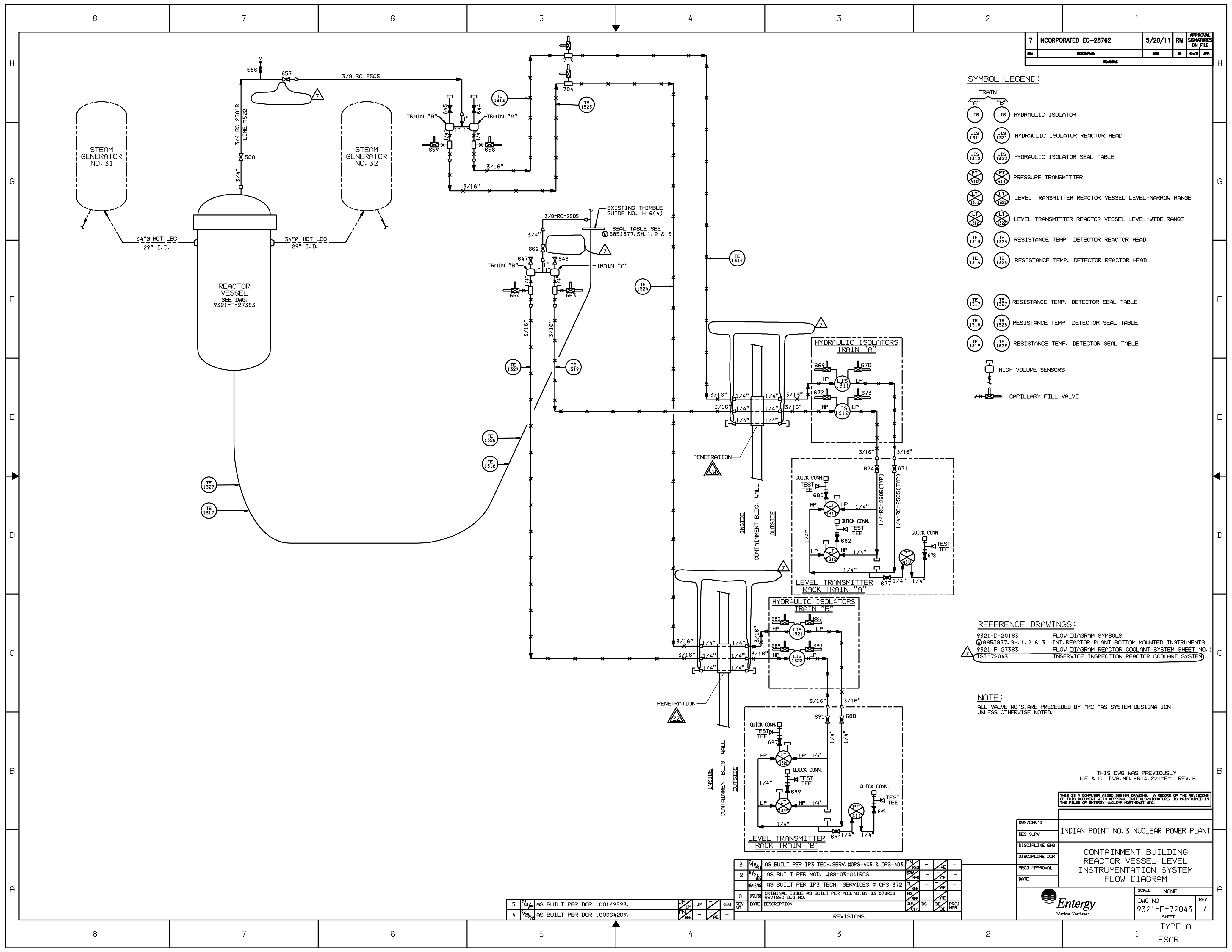
THIS DWG WAS PREVIOUSLY U. E. & C. DWG. NO. 6604. 221-F-1 REV. 6

THIS IS A COMPUTER AIDED DESIGN DRAWING. A RECORD OF THE REVISIONS OF THIS DOCUMENT WITH APPROVAL INITIALS/SIGNATURE, IS MAINTAINED IN THE FILES OF ENTERTY NUCLEAR NORTHWEST INC.

DWG/CHK'D	INDIAN POINT NO. 3 NUCLEAR POWER PLANT
DES SURV	
DISCIPLINE ENG	
DISCIPLINE DIR	
PROJ APPROVAL	
DATE	
CONTAINMENT BUILDING REACTOR VESSEL LEVEL INSTRUMENTATION SYSTEM FLOW DIAGRAM	
SCALE	NONE
DWG NO	9321-F-72043
REV	7

REV	NO	DATE	DESCRIPTION	DES	CHK	APP	PROJ MGR
3	1/19/01		AS BUILT PER IP3 TECH. SERV. HOPS-405 & OPS-403.				
2	8/2/00		AS BUILT PER MOD. #88-03-041RCS				
1	06/15/99		AS BUILT PER IP3 TECH. SERVICES # OPS-372				
0	10/20/98		ORIGINAL ISSUE AS BUILT PER MOD. NO. 81-03-076RCS REVISED DWG. NO.				

REV	NO	DATE	DESCRIPTION	DES	CHK	APP	PROJ MGR
5	1/1/00		AS BUILT PER DCR 100149593.	JF	JM		
4	1/28/99		AS BUILT PER DCR 100064209.	JF	JM		



H
G
F
E
D
C
B
A

8 7 6 5 4 3 2 1