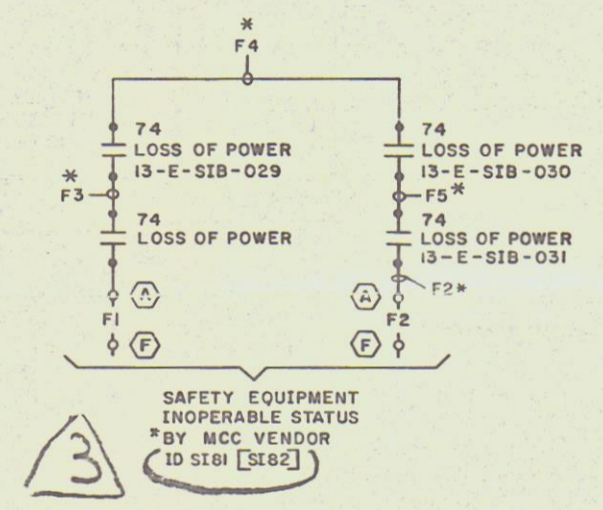
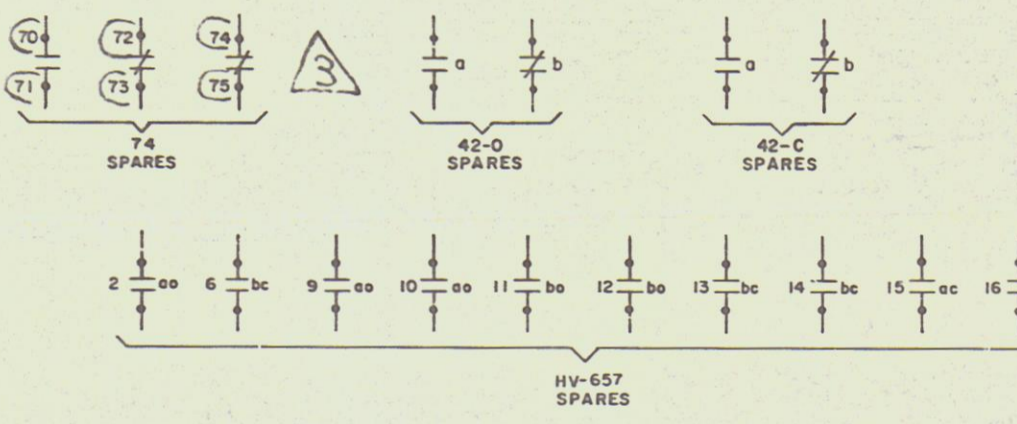
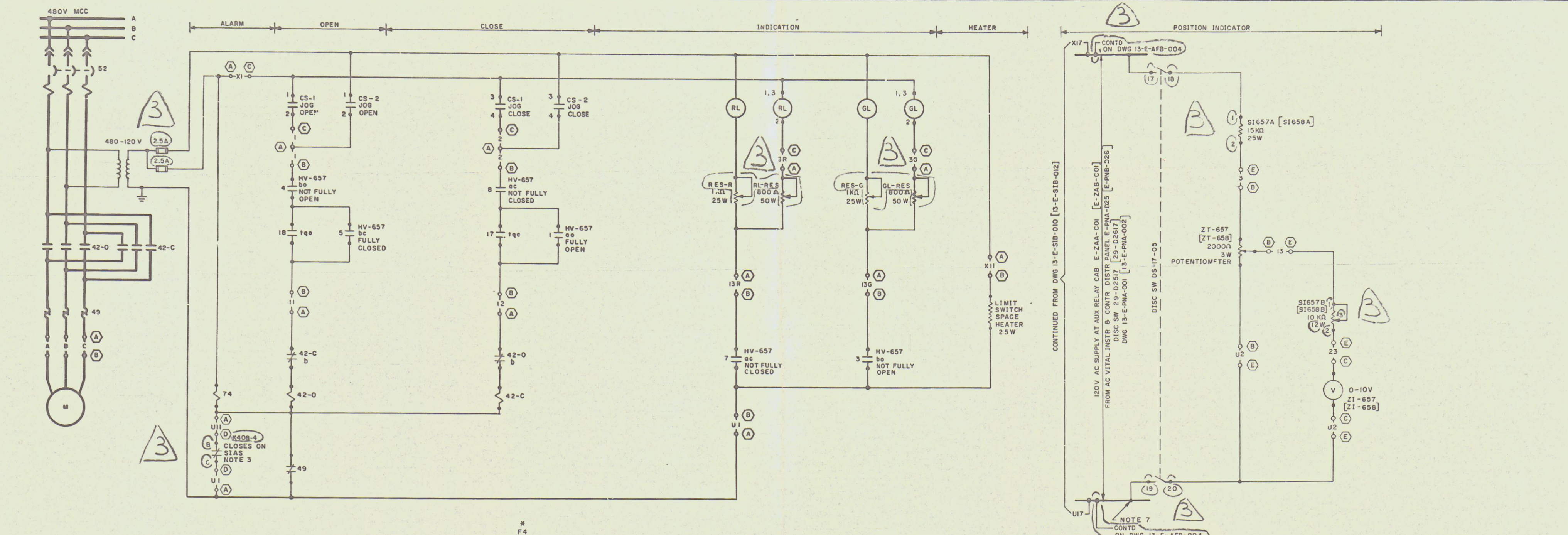


29X

This drawing has been produced by Bechtel and is the property of the PARTICIPANTS in the ARIZONA NUCLEAR POWER PROJECT. Use of this drawing and the specific design depicted thereon for any purpose other than that related to the Arizona Nuclear Power Project is not authorized by the Owners.



POSITION SWITCH	VALVE POSITION		CONTACT	ROTOR
	FULLY CLOSED	FULLY OPEN		
ea	1	2	1	1
ba	3	4	3	1
bc	5	6	5	2
ca	7	8	7	2
cb	9	10	9	3
cc	11	12	11	3
ca	13	14	13	4
cb	15	16	15	4

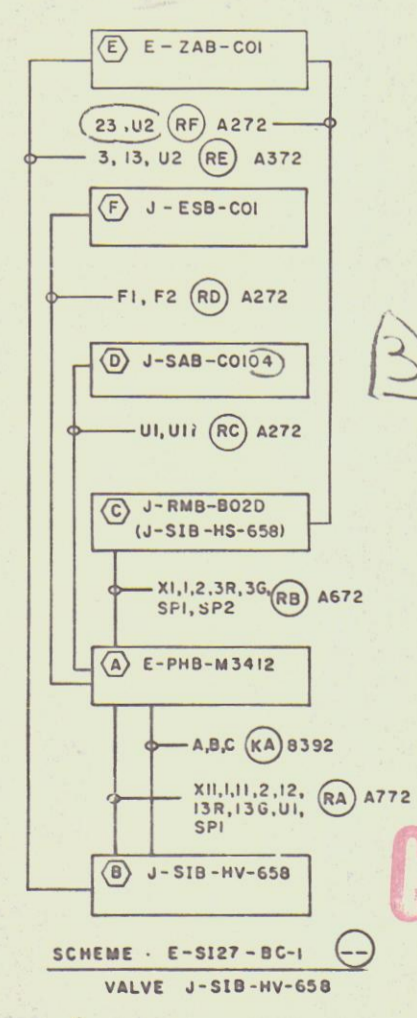
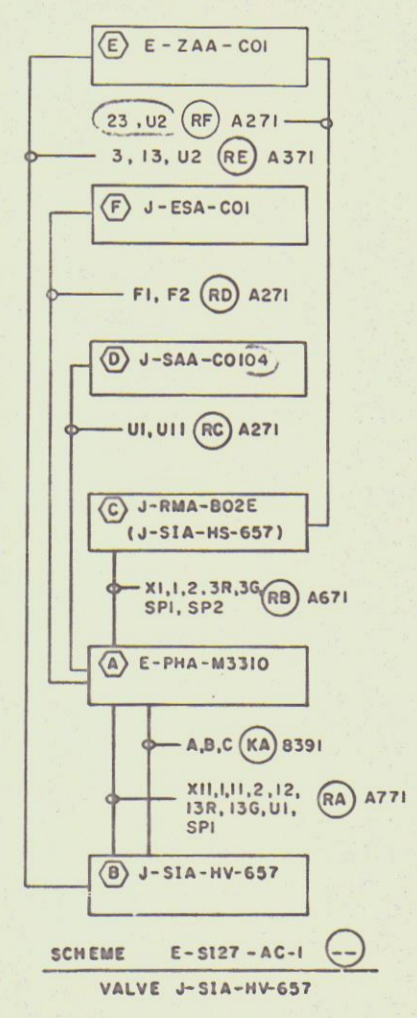
TERM	JOG CLOSE	JOG OPEN
1-2	X	X
3-4	X	
5-6	X	
7-8		X

TERM	JOG CLOSE	JOG OPEN
1-2	X	X
3-4	X	
5-6	X	
7-8		X

TERM	JOG CLOSE	JOG OPEN
1-2	X	X
3-4	X	
5-6	X	
7-8		X

HV-657
 1c CLOSING TORQUE SWITCH 17
 1q OPENING TORQUE SWITCH 18
 — SOLID LINE DENOTES CONTACT CLOSED

- NOTES:
- FOR LEGEND AND GENERAL NOT'S REFER TO DWGS. 13-E-Z28-001 THROUGH 007.
 - ⊙ DENOTES EQUIPMENT NUMBER. FOR COMPLETE EQUIPMENT NUMBER REFER TO CABLING BLOCK DIAGRAM.
 - SIAS DENOTES SAFETY INJECTION ACTUATION SIGNAL. REFER TO IVP N001-13.06-37
 - ELEMENTARY DIAGRAM SHOWN IS FOR VALVE HV-657. VALVE HV-658 IS SIMILAR EXCEPT AS NOTED OR INDICATED IN CABLING BLOCK DIAGRAM.
 - KEYLOCK REQUIRED ON CS-1. KEY REMOVABLE IN NORMAL POSITION ONLY.
 - INFORMATION IN BRACKETS [] REFERS TO J-SIB-HV-658.
 - AC TERMINALS TO BE SEPARATED FROM DC TERMINALS IN AUX RELAY CABINETS E-ZAA-COI & E-ZAB-COI.



PRC APERTURE CARD

CERTIFIED DRAWING

8204190308

NUCLEAR SAFETY RELATED

ELEMENTARY DIAGRAM
 SAFETY INJECTION-SHUTDOWN CLG SYSTEM
 SHUTDOWN CLG TEMP CONTROL VALVES
 J-SIA-HV-657 & J-SIB-HV-658

BECHTEL
 LOS ANGELES
ARIZONA NUCLEAR POWER PROJECT
PALO VERDE NUCLEAR
GENERATING STATION

SCALE	NO. REV.	JOB NO.	DRAWING NO.	REV.
		10407	13-E-SIB-027	3

NO.	DATE	REVISIONS	OR	CHKD	DES	ENG	EGS	CHP	PRJ	NO.	DATE	REVISIONS	OR	CHKD	DES	ENG	EGS	CHP	PRJ	
3		INCORP DCN 2 & MISC REVISION																		
2		INCORP DCN 1 & GEN REVISION																		
1		REVISED POSITION IND CKT																		
0		ISSUED FOR CONSTRUCTION																		

I CERTIFY THAT THE IMAGE CONTAINED ON THIS FRAME WAS MADE IN THE NORMAL AND REGULAR COURSE OF BUSINESS ON THE DATE STATED BELOW AND THAT IT IS AN ACCURATE REPRESENTATION OF THE DOCUMENT SUBMITTED TO THE PARTICIPANTS.

14.5X

I CERTIFY THAT THE IMAGE CONTAINED ON THIS FRAME WAS MADE IN THE NORMAL AND REGULAR COURSE OF BUSINESS, ON THE DATE STATED BELOW AND THAT IT IS AN ACCURATE REPRODUCTION OF THE DOCUMENT SUBMITTED TO MICROGRAPHICS.
DATE: 12-16-81 CAMERA OPERATOR SECTION SUPERVISOR

BECHTEL PALO VERDE NUCLEAR GENERATING STATION UNITS 1, 2 & 3
DRAWING CHANGE NOTICE (DCN)
JOB NO. 10407

UNIT	ASSIGNEE *			
A	C	S	O	
1	C	(S)	O	
2	(C)	S	O	
3	(C)	S	O	

CIRCLE APPLICABLE UNIT(S) AND ASSIGNEE
* C - CONSTRUCTION, S - STARTUP, O - OWNER

DRAWING NO.	SHEET NO.	REV.	DCN NO.
13-E-SIB-027		3	3

JOB NO. 10407 PAGE 1 OF 1
DATE: 11-20-81 BY: R. BODDULA

CHANGE REQUESTED BY: CLIENT ENGINEERING FIELD SUPPLIER/CONTRACTOR

REASON FOR CHANGE: ICSB DRAWING REVIEW (TASK # 35)

DESCRIPTION OF CHANGE
① IN THE SAFETY EQUIPMENT INOPERABLE STATUS CIRCUIT,
CHANGE:
FROM → TO

② ADD

AFFECTED EQUIP: MCC'S E-PHA-M3310 & E-PHB-M3412 (12-118)

MATERIAL PROCUREMENT RESPONSIBILITY		AFFECTED PURCHASE ORDERS	PM OR MR PREPARED FOR DCN CHANGE
<input type="checkbox"/> BECHTEL OFFICE	<input type="checkbox"/> SUPPLIER/CONTRACTOR	EM-018	YES NO
<input type="checkbox"/> BECHTEL FIELD	<input checked="" type="checkbox"/> NONE REQUIRED		

GROUP SUPERVISOR: [Signature] DATE: 12/14/81
PROJECT ENGINEER: [Signature] DATE: 12/19
NUCLEAR GROUP SUPERVISOR (IF REQUIRED): [Signature] DATE: 12/14/81
PQAE (O-LISTED P&ID'S AND SINGLE LINE DWGS): [Signature] DATE:

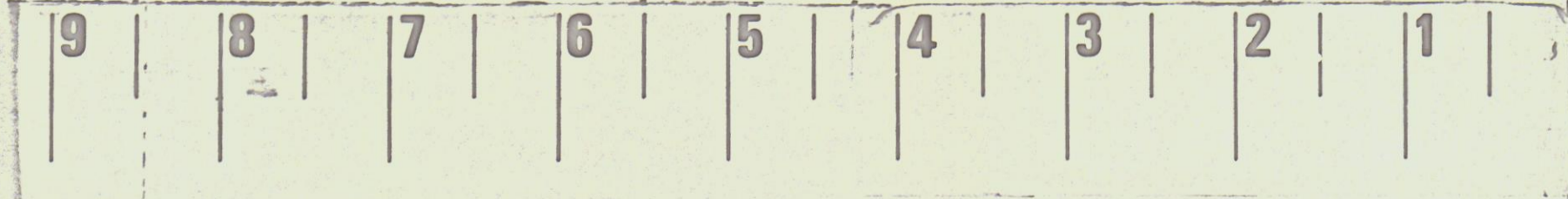
REMARKS: ADDITION OF 2 CIRCUITS IN EE58c
DCP TO FOLLOW: SS-SI-08 S/C DATE: 12-23-81

ADDITIONAL DISTRIBUTION: PROJECT PROCUREMENT MANAGER COST TREND ENGINEER

PF-1531 (10407) 3/81

PRC APERTURE CARD

CERTIFIED DRAWING



I CERTIFY THAT THE IMAGE CONTAINED ON THIS FRAME WAS MADE IN THE NORMAL AND REGULAR COURSE OF BUSINESS, ON THE DATE STATED BELOW AND THAT IT IS AN ACCURATE REPRODUCTION OF THE DOCUMENT SUBMITTED TO MICROGRAPHICS.
DATE: 12-16-81 CAMERA OPERATOR SECTION SUPERVISOR

Docket # 50-528/524/530
Control # 8204190308
Date: 8/2/84 of Document
REGULATORY DOCKET FILE

8204190308-01

D