

- NOTES:**
1. PIPING, VALVES AND ASSOCIATED COMPONENTS ON THIS DRAWING SHALL BE CLASSIFIED AS FOLLOWS: (UNLESS OTHERWISE INDICATED ON THE FLOW DIAGRAM)
    - A) WITHIN PRIMARY CONTAINMENT AND OUT THROUGH THE OUTERMOST PRIMARY CONTAINMENT ISOLATION VALVE EXCEPT CIA (3).
    - B) PIPING BEYOND OUTERMOST PRIMARY CONTAINMENT ISOLATION VALVE EXCEPT CIA (3).
    - C) EQUIPMENT BEYOND OUTERMOST PRIMARY CONTAINMENT ISOLATION VALVE EXCEPT CIA (3).
    - D) CIA (3) AS NOTED, AND CIA (3) BEYOND OUTERMOST PRIMARY CONTAINMENT ISOLATION VALVE EXCEPT NITROGEN BOTTLES AND ASSOCIATED EQUIPMENT.
    - E) NITROGEN BOTTLES AND ASSOCIATED EQUIPMENT.
  2. ALL INSTRUMENTS ON THIS DRAWING TO BE IDENTIFIED BY THE PREFIX 'CIA' UNLESS SPECIFICALLY NOTED OTHERWISE.
  3. ALL INSTRUMENTS ON THIS DRAWING TO BE IDENTIFIED BY THE PREFIX 'CIA' UNLESS SPECIFICALLY NOTED OTHERWISE.
  4. ALL INSTRUMENTS ON THIS DRAWING TO BE IDENTIFIED BY THE PREFIX 'CIA' UNLESS SPECIFICALLY NOTED OTHERWISE.
  5. ALL PRESSURE AND FLOW INSTRUMENT CONNECTION DIAGRAMS NOT LABELED SHALL BE 3/4\"/>

- LEGEND**
1. ALL VALVES SUPPLIED WITH AN OD EQUAL A 3/4\"/>
  2. ALL VALVES SUPPLIED WITH AN OD EQUAL A 3/4\"/>

SI  
APERTURE  
CARD

INFORMATION COPY

FSAR FIG NO. 9.3-2A  
FSAR FIG NO. 3.2-21A (C)

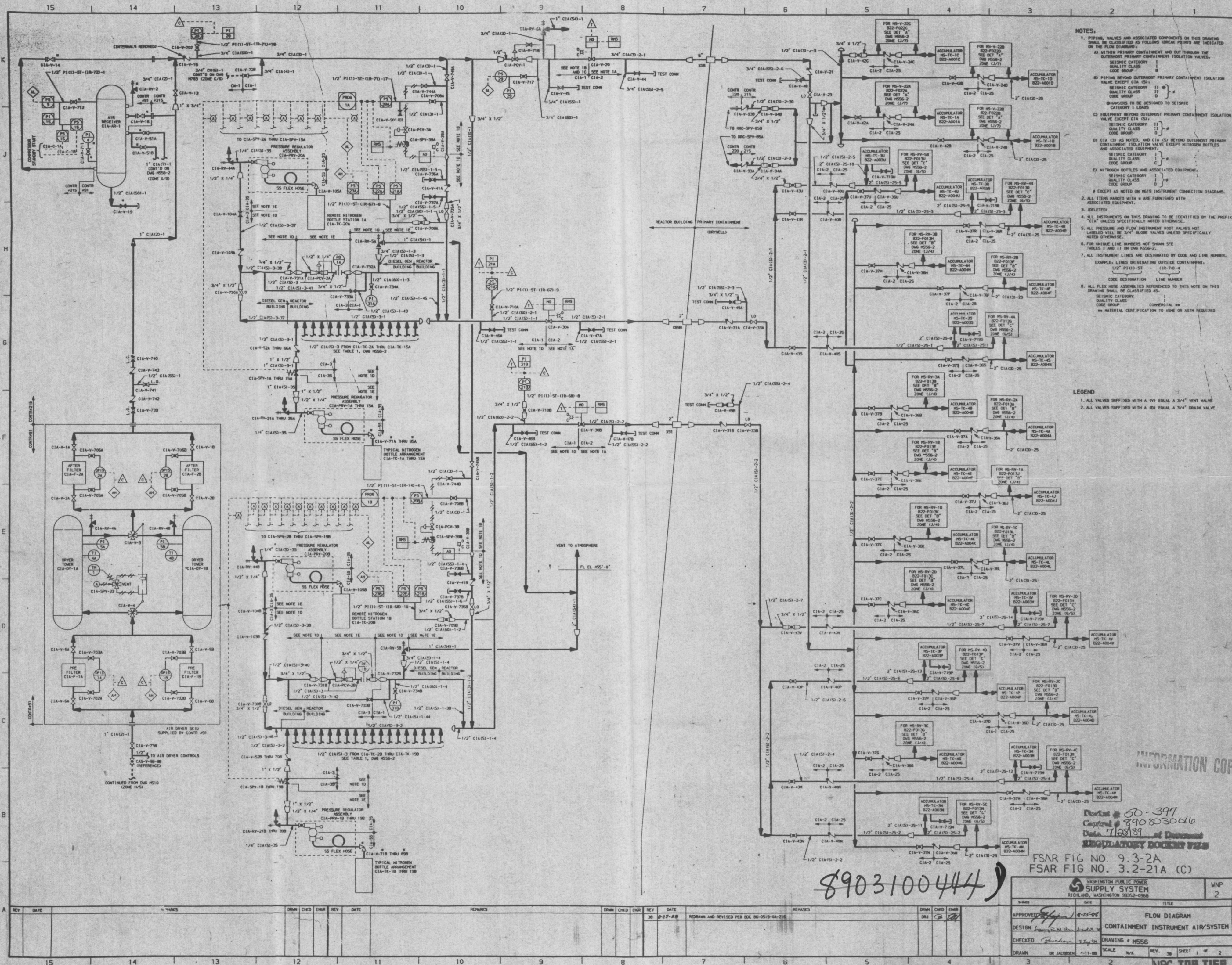
REV	DATE	REVISIONS	DRWN	CHKD	ENGR	REV	DATE	REVISIONS	DRWN	CHKD	ENGR	REV	DATE	REVISIONS
1														
2														
3														
4														
5														
6														
7														
8														
9														
10														
11														
12														
13														
14														
15														

WASHINGTON PUBLIC POWER SUPPLY SYSTEM RICHMOND, WASHINGTON 98522-0998	WNP 2
APPROVED: [Signature] 8-25-89 DESIGN: [Signature] CHECKED: [Signature] DRAWN: [Signature]	TITLE <b>FLOW DIAGRAM</b> <b>CONTAINMENT INSTRUMENT AIR SYSTEM</b> DRAWING # HSSS SCALE N/A REV. 38 SHEET 1 OF 2

8903100444

D

NRC TOP TIER



- NOTES:**
1. PIPING, VALVES AND ASSOCIATED COMPONENTS ON THIS DRAWING SHALL BE CLASSIFIED AS FOLLOWS UNLESS OTHERWISE INDICATED ON THE PIPING DIAGRAM:  
 (A) WITHIN PRIMARY CONTAINMENT AND OUT THROUGH THE OUTERMOST PRIMARY CONTAINMENT ISOLATION VALVES:  
 SEISMIC CATEGORY I  
 QUALITY CLASS 1  
 CODE GROUP 1  
 (B) PIPING BEYOND OUTERMOST PRIMARY CONTAINMENT ISOLATION VALVE EXCEPT CIA:  
 SEISMIC CATEGORY II  
 QUALITY CLASS 1  
 CODE GROUP 2  
 (C) EQUIPMENT BEYOND OUTERMOST PRIMARY CONTAINMENT ISOLATION VALVE EXCEPT CIA:  
 SEISMIC CATEGORY II  
 QUALITY CLASS 1  
 CODE GROUP 2  
 (D) CIA (A) AS NOTED, AND CIA (B) BEYOND OUTERMOST PRIMARY CONTAINMENT ISOLATION VALVE EXCEPT NITROGEN BOTTLES AND ASSOCIATED EQUIPMENT:  
 SEISMIC CATEGORY I  
 QUALITY CLASS 1  
 CODE GROUP 1  
 (E) NITROGEN BOTTLES AND ASSOCIATED EQUIPMENT:  
 SEISMIC CATEGORY I  
 QUALITY CLASS 1  
 CODE GROUP 1  
 # EXCEPT AS NOTED ON THIS INSTRUMENT CONNECTION DIAGRAM.
  2. ALL ITEMS MARKED WITH \* ARE FURNISHED WITH ASSOCIATED EQUIPMENT.
  3. DELETED.
  4. ALL INSTRUMENTS ON THIS DRAWING TO BE IDENTIFIED BY THE PREFIX "CIA" UNLESS SPECIFICALLY NOTED OTHERWISE.
  5. ALL PRESSURE AND FLOW INSTRUMENT ROOT VALVES NOT LABELED WILL BE 3/4" GLOBE VALVES UNLESS SPECIFICALLY NOTED OTHERWISE.
  6. FOR UNIQUE LINE NUMBERS NOT SHOWN SITE TABLES 1 AND 11 ON DWG 9556-2.
  7. ALL INSTRUMENT LINES ARE DESIGNATED BY CODE AND LINE NUMBER. EXAMPLE: LINES ORIGINATING OUTSIDE CONTAINMENT: 1" P1(1)-ST-1(18-70)-4  
 CODE IDENTIFICATION LINE NUMBER
  8. ALL FLEX HOSE ASSEMBLIES REFERENCED TO THIS NOTE ON THIS DRAWING SHALL BE CLASSIFIED AS:  
 SEISMIC CATEGORY I  
 QUALITY CLASS 1  
 CODE GROUP 1  
 \*\* MATERIAL CERTIFICATION TO ASME OR ASTM REQUIRED
- LEGEND**
1. ALL VALVES SUPPLIED WITH A (V) EQUAL A 3/4" VENT VALVE
  2. ALL VALVES SUPPLIED WITH A (D) EQUAL A 3/4" DRINK VALVE

INFORMATION COPY

Project # 50-397  
 Control # 89030006  
 Date: 7/28/89  
 REGULATORY BOOKLET #28

FSAR FIG NO. 9.3-2A  
 FSAR FIG NO. 3.2-21A (C)

REV	DATE	BY	CHKD	ENGR	REV	DATE	REMARKS	DRWN	CHKD	ENGR	REV	DATE	REMARKS	DRWN	CHKD	ENGR	TITLE
																	FLOW DIAGRAM
																	CONTAINMENT INSTRUMENT AIR SYSTEM
																	DRAWING # 8556
																	SCALE N/A
																	REV. 38 SHEET 1 OF 2

WSP 2

WASHINGTON PUBLIC POWER SUPPLY SYSTEM  
 RICHLAND, WASHINGTON 99352-0968

NRC TOP TIER

Figure 4-2 Containment Instrument Air System, Sheet 1