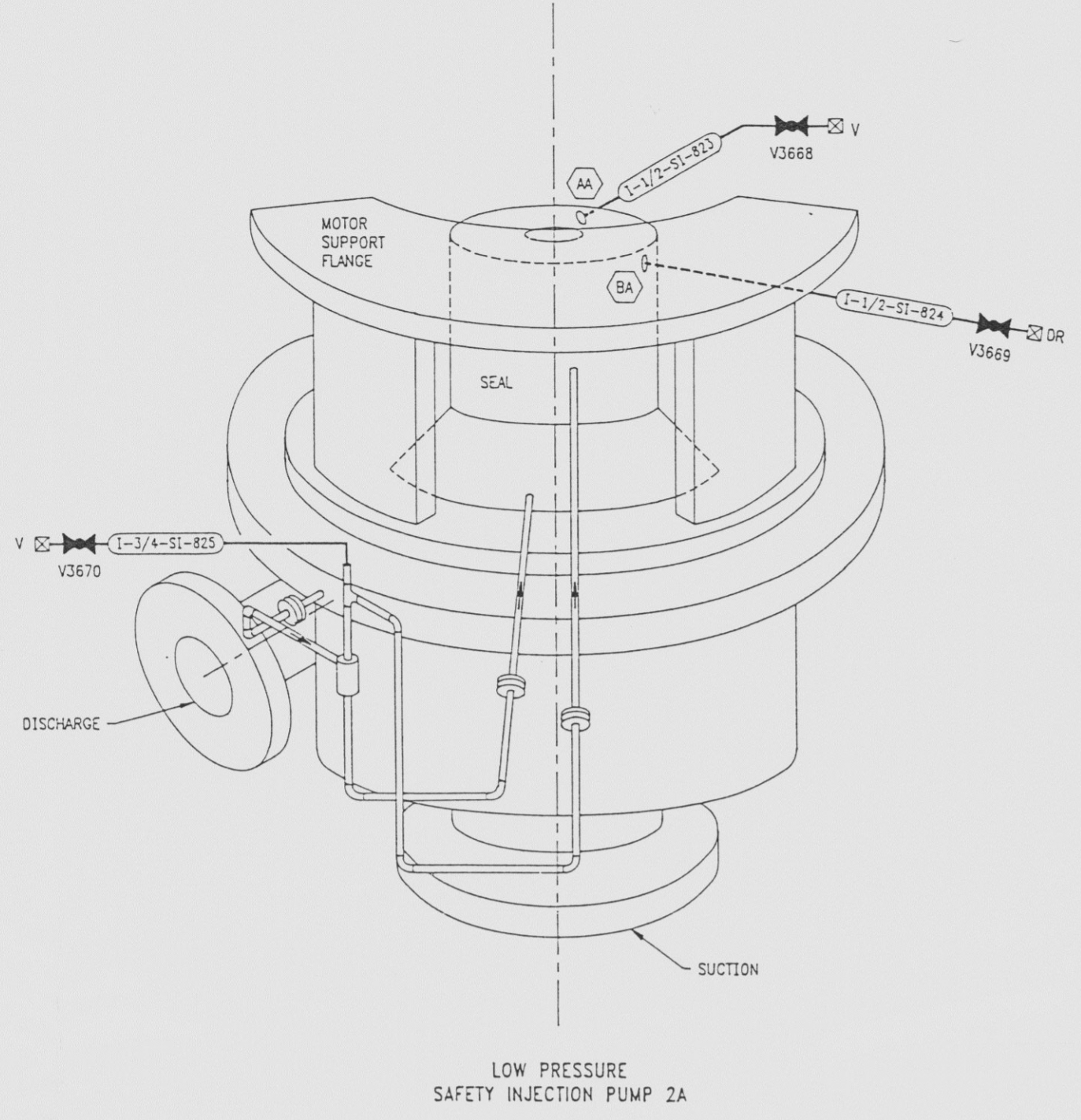
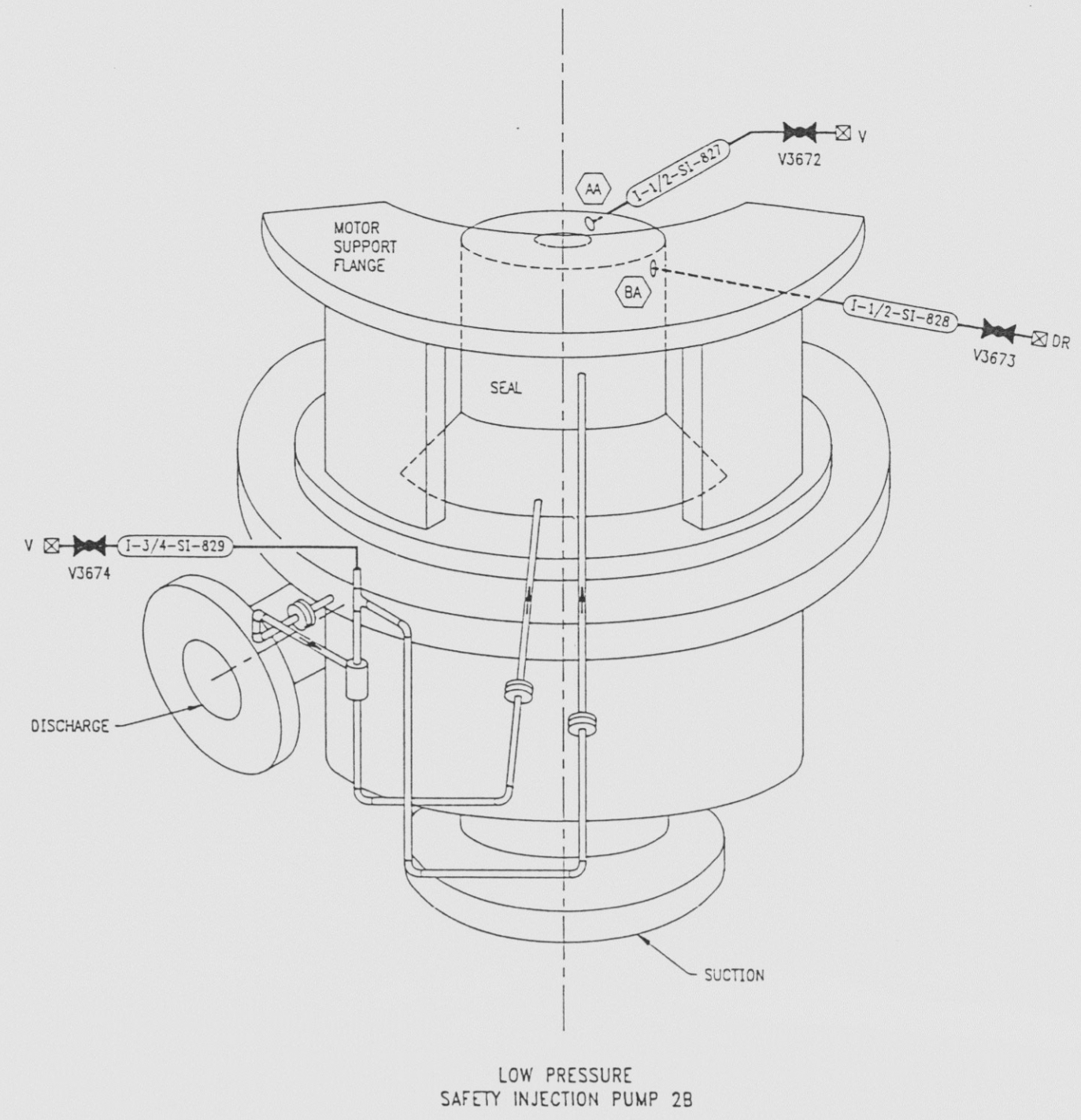


2998-G-078
SH 105A

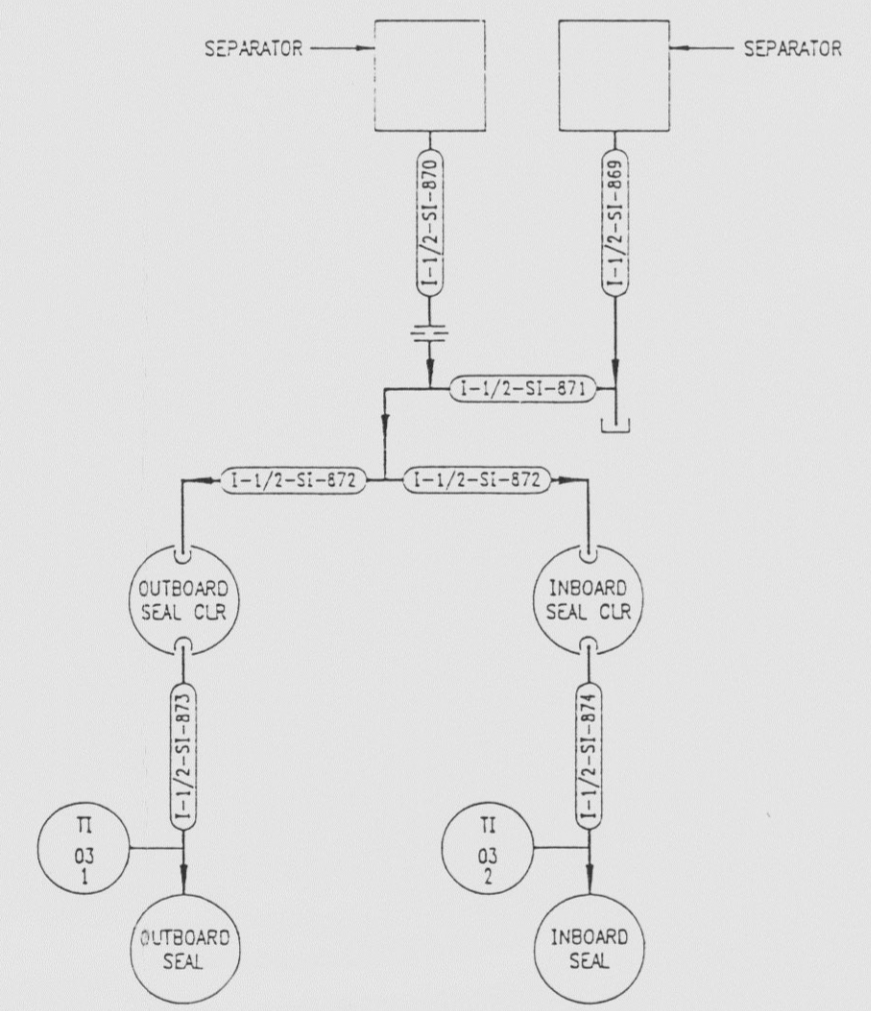
REVISIONS				
NO	DATE	DESCRIPTION	BY	APPROVED
11	7-14-82	DCR-SM-94-257: REDRAWN	CLJ	OWC



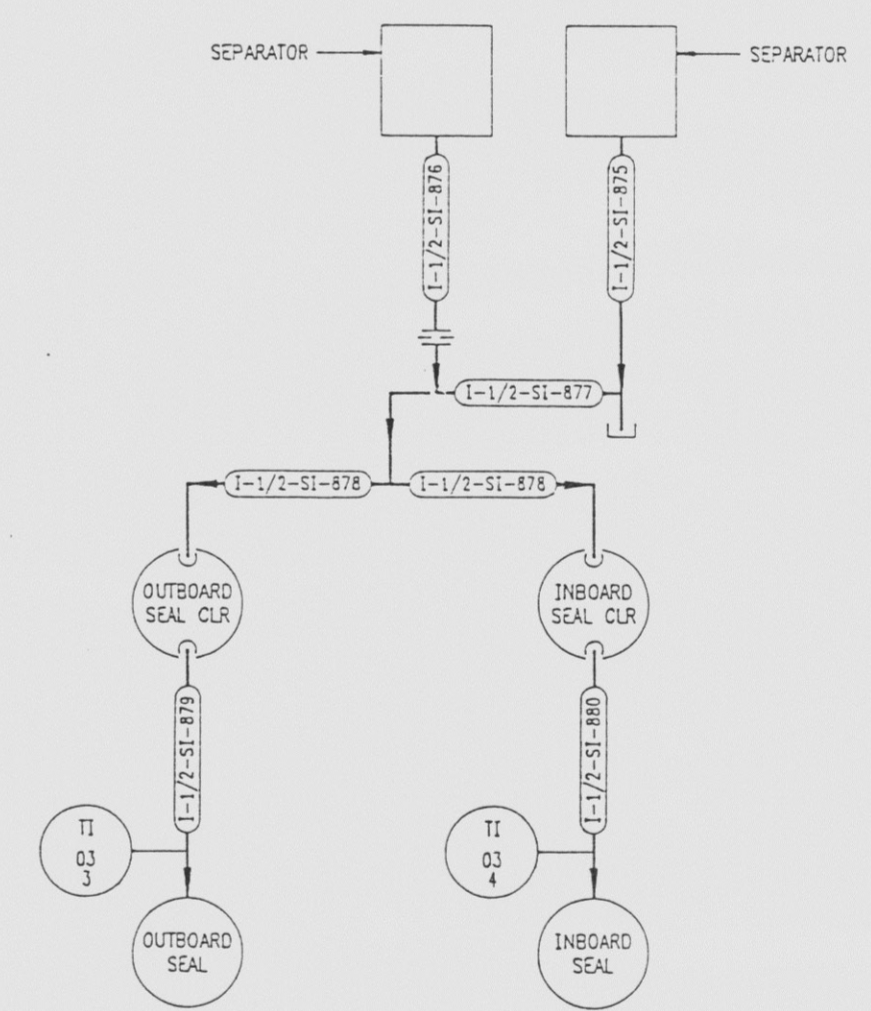
LOW PRESSURE
SAFETY INJECTION PUMP 2A



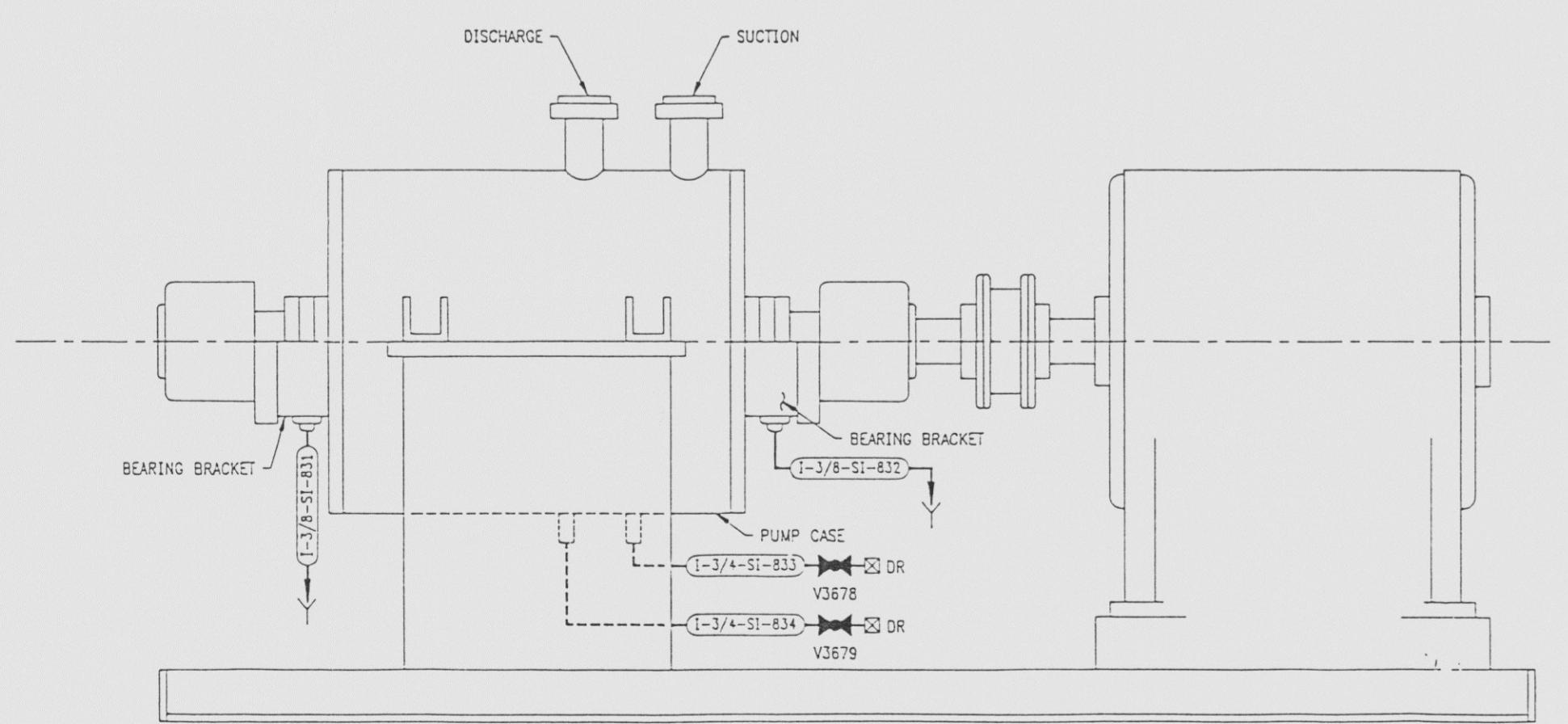
LOW PRESSURE
SAFETY INJECTION PUMP 2B



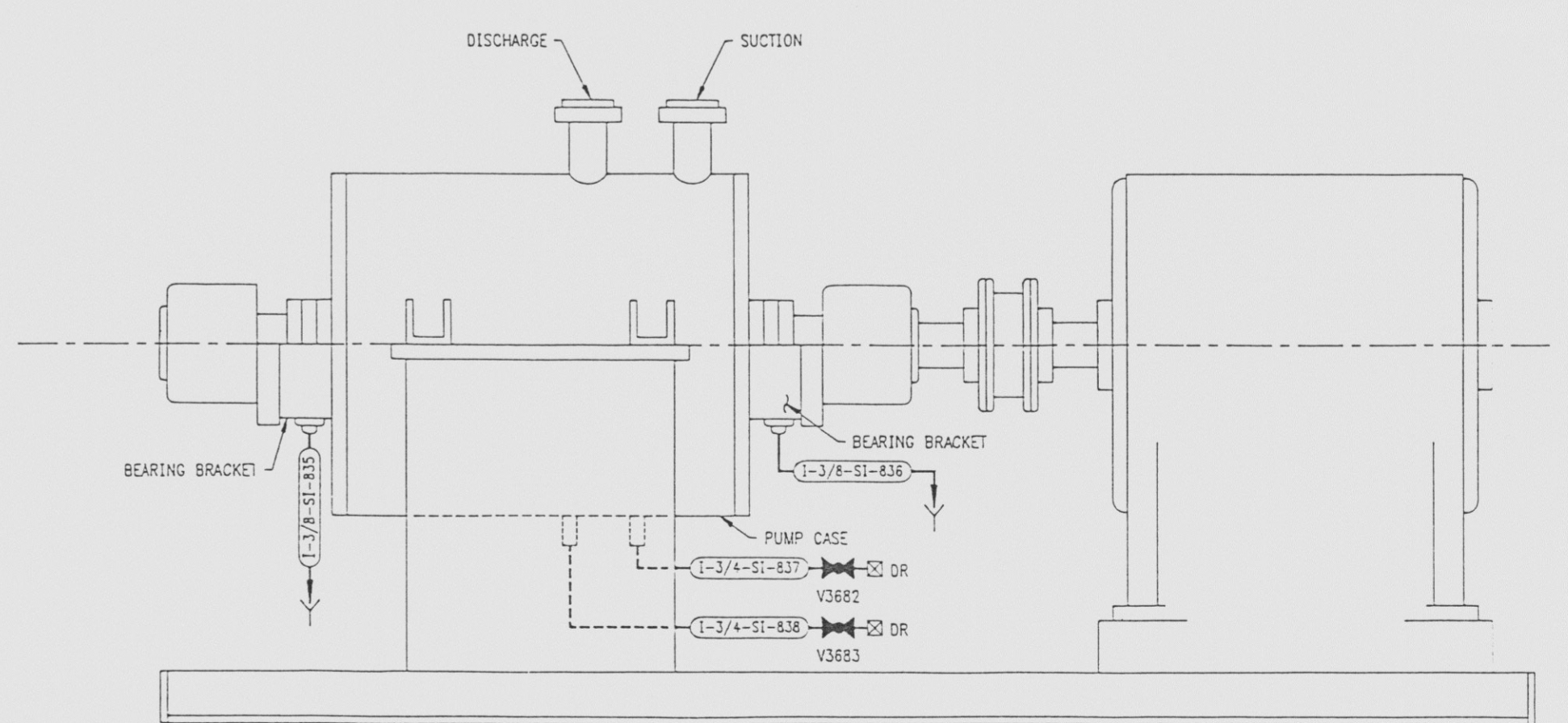
HIGH PRESSURE
SAFETY INJECTION PUMP 2A



HIGH PRESSURE
SAFETY INJECTION PUMP 2B



HIGH PRESSURE
SAFETY INJECTION PUMP 2A



HIGH PRESSURE
SAFETY INJECTION PUMP 2B

REFERENCE DRAWINGS

PIPE, VALVE & INSTRUMENT SYMBOLS	2996-0-078 SH 100
VALVE LIST	2996-A-051
LINE LIST	2996-B-051
VALVE OPERATIONAL NUMBER INDEX	2996-B-057A
INSTRUMENT INSTALLATION DETAILS	2996-B-131
INSTRUMENT LIST	2996-B-170C

NOTE:
THIS DRAWING IS MADE FROM REV. 10
OF DRAWING 2998-G-078 SH 105

REVISION OF THIS DRAWING MAY REQUIRE UPDATE OF
THE FOLLOWING DOCUMENT: FSAR FIGURE 1.2-34

**NUCLEAR SAFETY RELATED
IN PART ONLY**

FLORIDA POWER & LIGHT COMPANY
ST LUCIE PLANT
1983 - 890 MWe EXTENSION - UNIT 2
FLOW DIAGRAM
AUXILIARY PUMPS

RAYTHEON ENGINEERS & CONSTRUCTORS, INC.		
SCALE: NONE	APPROVAL	DATE:
DR: MICH		2998-G-078
DR: S. GRATT		SHEET
DR: SUNNINGHAM		105A

9712040015-124

E

DRAWING NUMBER
2998-G-078
SH-105A

DRAWING NUMBER
2998-G-078
SH-105A

DRAWING NUMBER

NUMBER

ANSTEC
APERTURE
CARD
INFORMATION
ONLY
VERIFY WITH A CONTROLLED
COPY BEFORE USE.

USWD157.DWG