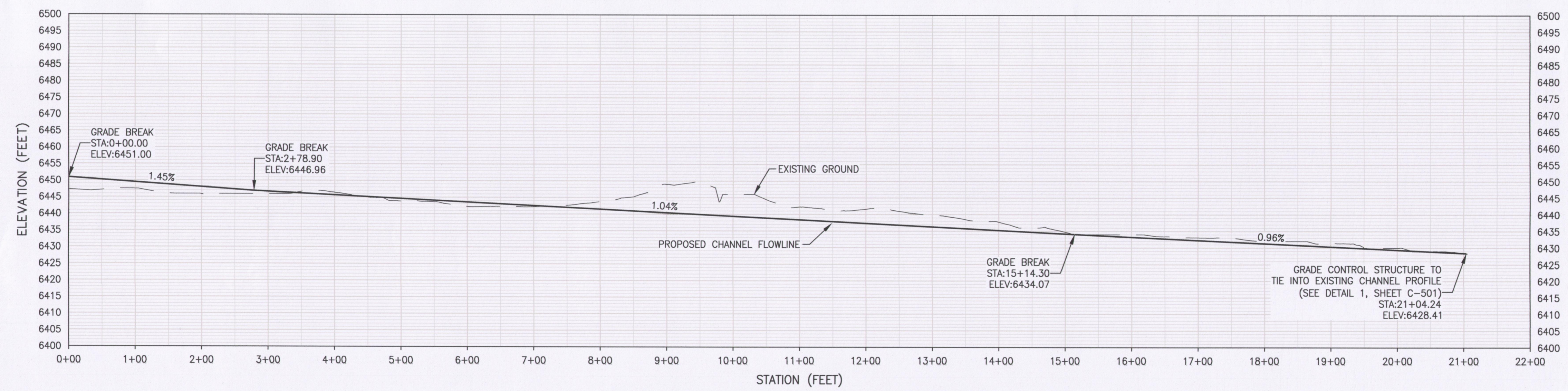
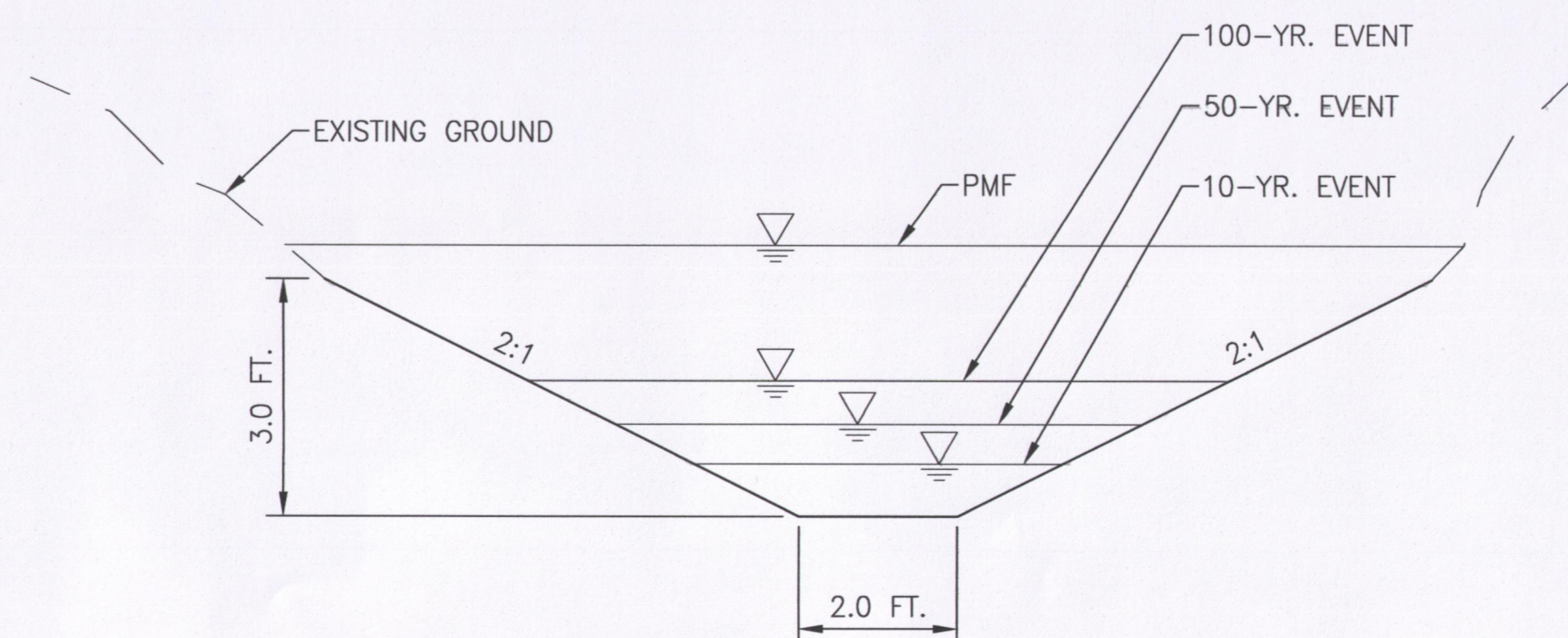


TP-1 EAST DIVERSION CHANNEL PROFILE



TP-1 WEST DIVERSION CHANNEL PROFILE



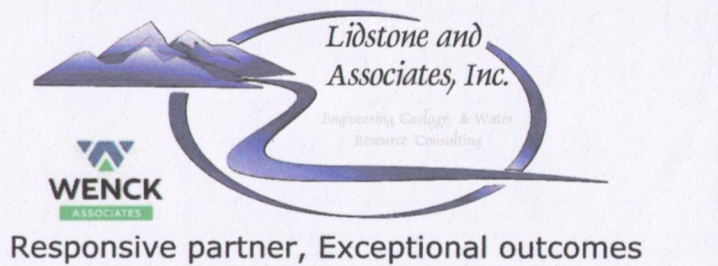
TP-1 DIVERSION CHANNEL TYPICAL SECTION

REV	REVISION DESCRIPTION	DWN	APP	REV DATE
-----	----------------------	-----	-----	----------

CLIENT

WYOMING DEPARTMENT OF ENVIRONMENTAL QUALITY LAND QUALITY DIVISION

PRIME CONSULTANT



SUB CONSULTANT

PROJECT TITLE
AMERICAN NUCLEAR CORPORATION
TP-1 INTERIM STABILIZATION PLAN

SHEET TITLE
DRAINAGE CHANNEL PROFILES

DWN BY DJW	CHK'D CMJ	APP'D CDL	DWG DATE 9/26/17
PROJECT NO. WYDEQ104	SHEET NO. C-203	SCALE	REV NO.