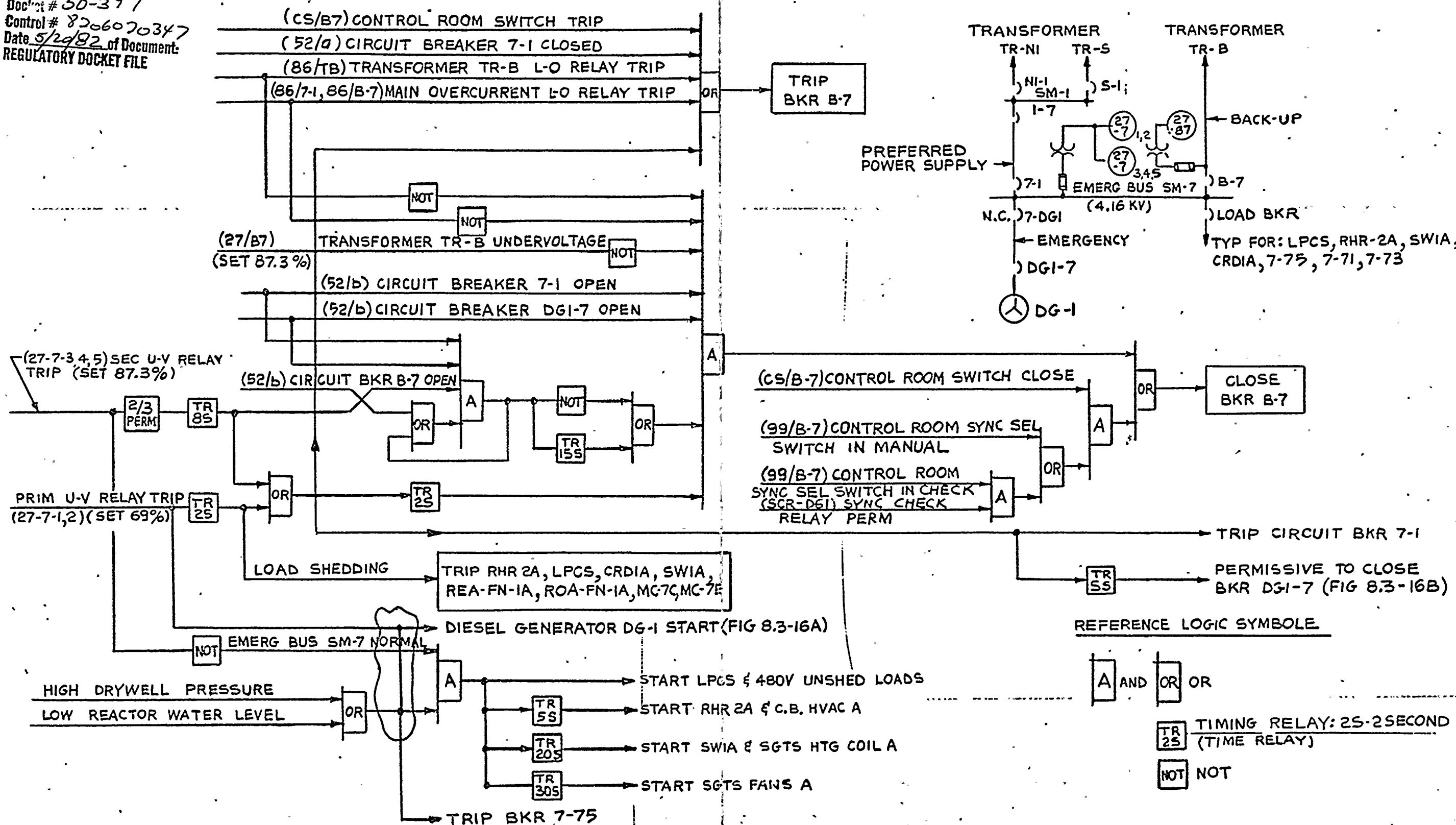


Doc # 50-397  
Control # 8206070347  
Date 5/29/82 of Document  
REGULATORY DOCKET FILE



1000  
1000  
1000