

2998-G-088
SH 2

REVISIONS

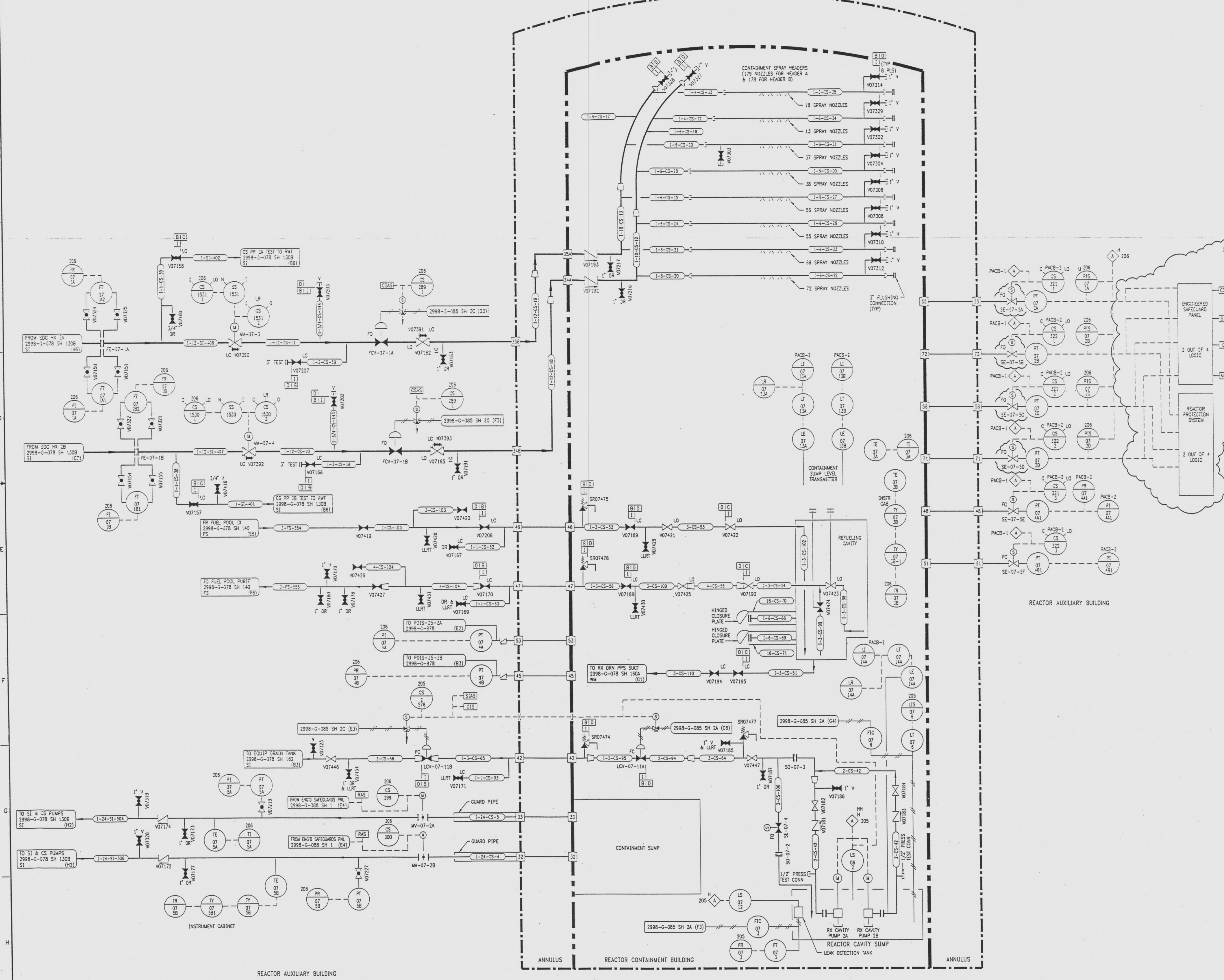
NO	DATE	DESCRIPTION	BY	CHK	APPROVED
23	7/24/95		CJS	DM	JJZ
DCB-SLM-84-257 REDRAWN					
24	6/17/96		DM	HS	DC
CEN 25027-5027 ADD. (3) LC TO VALVES V0719 & V0718					
25	10/4/96		HS	DM	JH
CEN 25027-5036 ADD. (C2,C3)(V02,D3)(E3)(G3) VALVE MODE LC (C2,D2)(C6 THRU E6) PANEL NOS & SWITCH POSITIONS					
26	5/12/97		DM	HS	SHM
RCM 58145 DEL. (HS) INST.					
27	9/8/97		DM	HS	VFR
DCB 230029 ADD. (D2,E2,B4,B5,B6,C6) CLASS BREAKS. REV. (C2,E3) LINE NUMBERS.					
28	9/11/97		DM	HS	VFR
CEN 25027-5037 DEL. (C2,M2,F3,D5,E3,F5) INSTRUMENTS					
29	11/23/98		DM	HS	SHC
RCM 37031 ADD. (E4) VALVES & PIPING. REV. (E4 & E5) VALVE POSITION TO LOCKED OPEN.					
30	11/25/98		DM	DM	SHC
RCM 37031 ADD. (G4 & C5) VALVES & PIPING.					
31	1/14/99		DM	JH	SHC
RCM 38031 ADD. (D7) LOGIC BOARD. REV. (C5-D6) VALVE MODE, (C7-E7) LOGIC LINES.					

DRAWN
PAUL H. CLANNAMAN
REGISTERED PROFESSIONAL ENGINEER

DRAWING NUMBER
2998-G-088
PAUL H. CLANNAMAN
REGISTERED PROFESSIONAL ENGINEER

DRAWING NUMBER
PAUL H. CLANNAMAN
REGISTERED PROFESSIONAL ENGINEER

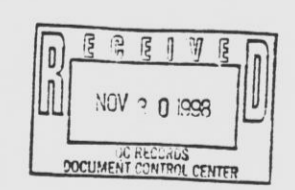
NUMBER
PAUL H. CLANNAMAN
REGISTERED PROFESSIONAL ENGINEER



NOTE
FOR REFERENCE DRAWINGS SEE 2998-G-088 SH 1

REFERENCE DRAWINGS
PIPE, VALVE & INSTRUMENT SYMBOLS 2998-G-078 SH 100
VALVE LIST 2998-G-751
LINE LIST 2998-G-752
VALVE OPERATIONAL NUMBER INDEX 2998-G-057A
INSTRUMENT INSTALLATION DETAILS 2998-G-231
INSTRUMENT LIST 2998-G-170C

INFORMATION ONLY
VERIFY WITH A CONTROLLED COPY BEFORE USE.



NOTE
THIS DRAWING IS MADE FROM REV. 22
OF DRAWING 2998-G-088

REVISION OF THIS DRAWING MAY REQUIRE UPDATE OF THE FOLLOWING DOCUMENT: FSAR FIGURE 6.2-41

NUCLEAR SAFETY RELATED IN PART ONLY

FLORIDA POWER & LIGHT COMPANY
ST. LUCIE PLANT
1803 - 890 MW EXTENSION - UNIT 2
FLOW DIAGRAM
CONTAINMENT SPRAY AND
REFUELING WATER SYSTEMS

RATHBON ENGINEERS & CONSTRUCTORS, INC.
SCALE: NONE
DATE: 2998-G-088
APPROVAL: SHEET 2
DRAWN BY: G. PLATT
CHECKED BY: D. CLANNAMAN

9712040015 09