

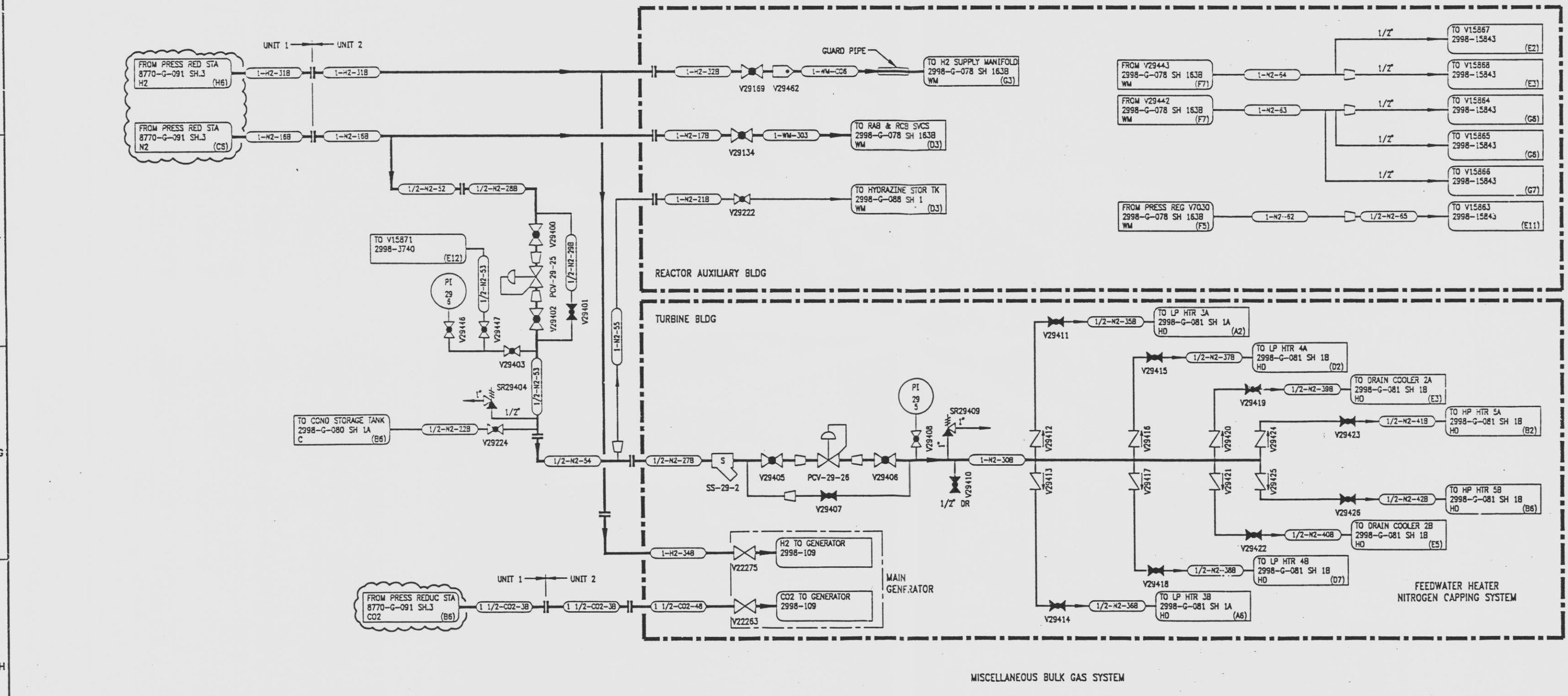
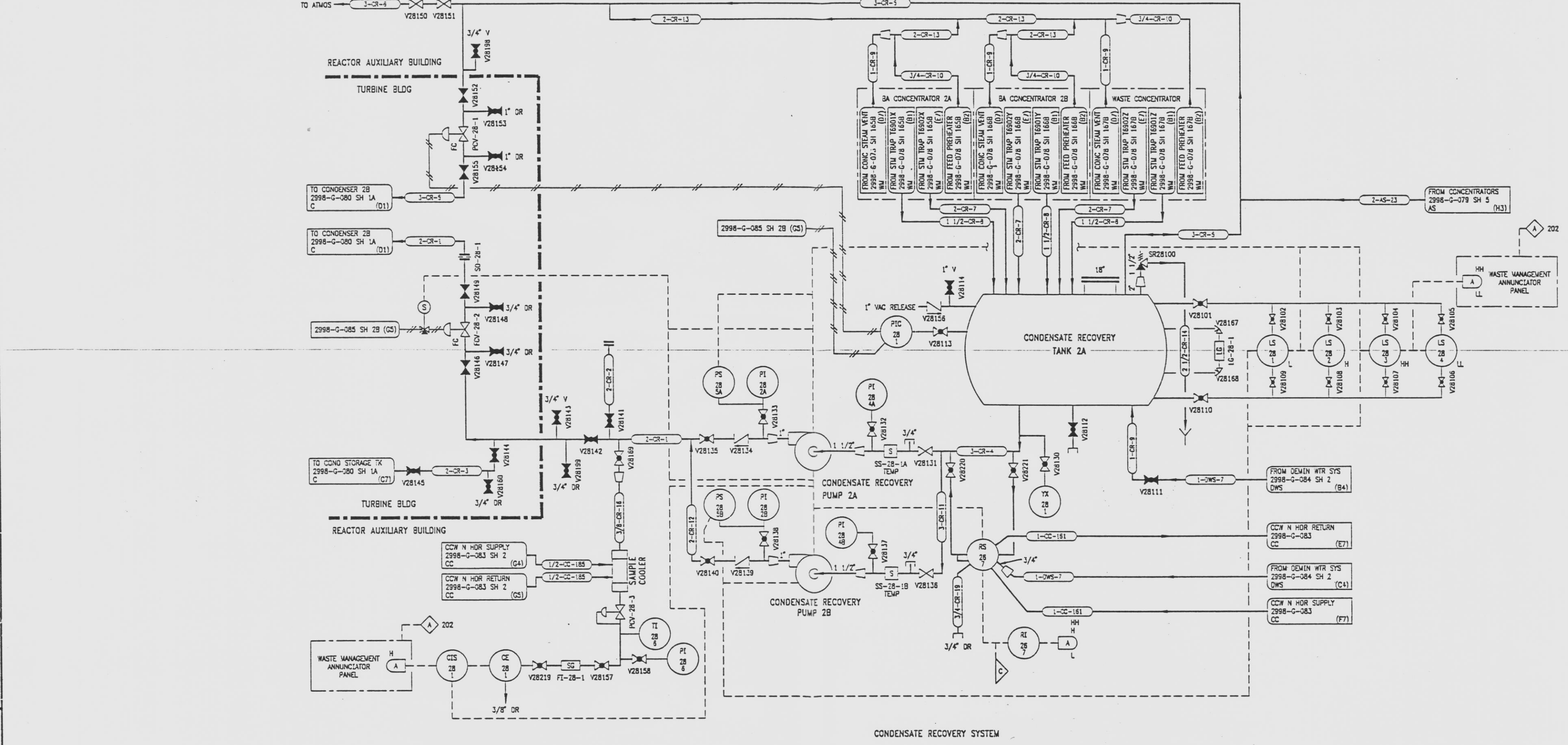
2998-G-087
SH 2

DRAWING NUMBER
2998-G-087
SH 2

DRAWING NUMBER
2998-G-087
SH 2

DRAWING NUMBER
2998-G-087
SH 2

NUMBER



REVISIONS					
NO	DATE	DESCRIPTION	BY	CHK	APPROVED
20	7-24-95		DAC	WVC	JUZ
DCR-SLM-34-32: REDRAWN					
21	5-18-97		GM	HS	SHW
PCW 28125: ADD: (E4) VALVE, REV: (E3) GUARD PIPE LOCATION					
22	9/25/97		CM	HL	LA
DCR 280229: REV: (E1,F1,G1) CONTINUATIONS					

REFERENCE DRAWINGS

PIPE, VALVE & INSTRUMENT SYMBOLS	2998-G-078 SH 100
VALVE LIST	2998-G-081
LINE LIST	2998-G-082
VALVE OPERATIONAL NUMBER INDEX	2998-G-087A
INSTRUMENT INSTALLATION DETAILS	2998-G-231
INSTRUMENT LIST	2998-G-270C
SAMPLE COOLER	2998-G-453
RS-18-7	2998-12260

INFORMATION ONLY
VERIFY WITH A CONTROLLED COPY BEFORE USE.

NOTE: THIS DRAWING IS MADE FROM REV. 19 OF DRAWING 2998-G-087

REVISION OF THIS DRAWING MAY REQUIRE UPDATE OF THE FOLLOWING DOCUMENT: FSAR FIGURE 9.2-7

FLORIDA POWER & LIGHT COMPANY
ST. LUCIE PLANT
1993 - 890 MW EXTENSION - UNIT 2
FLOW DIAGRAM
MISCELLANEOUS SYSTEMS

SCALE: NONE	APPROVAL	DATE
DR: J. CHETTI		2998-G-087
DR: J. CHETTI		SHEET 2
DR: J. CHETTI		22

9712040015-07 E