

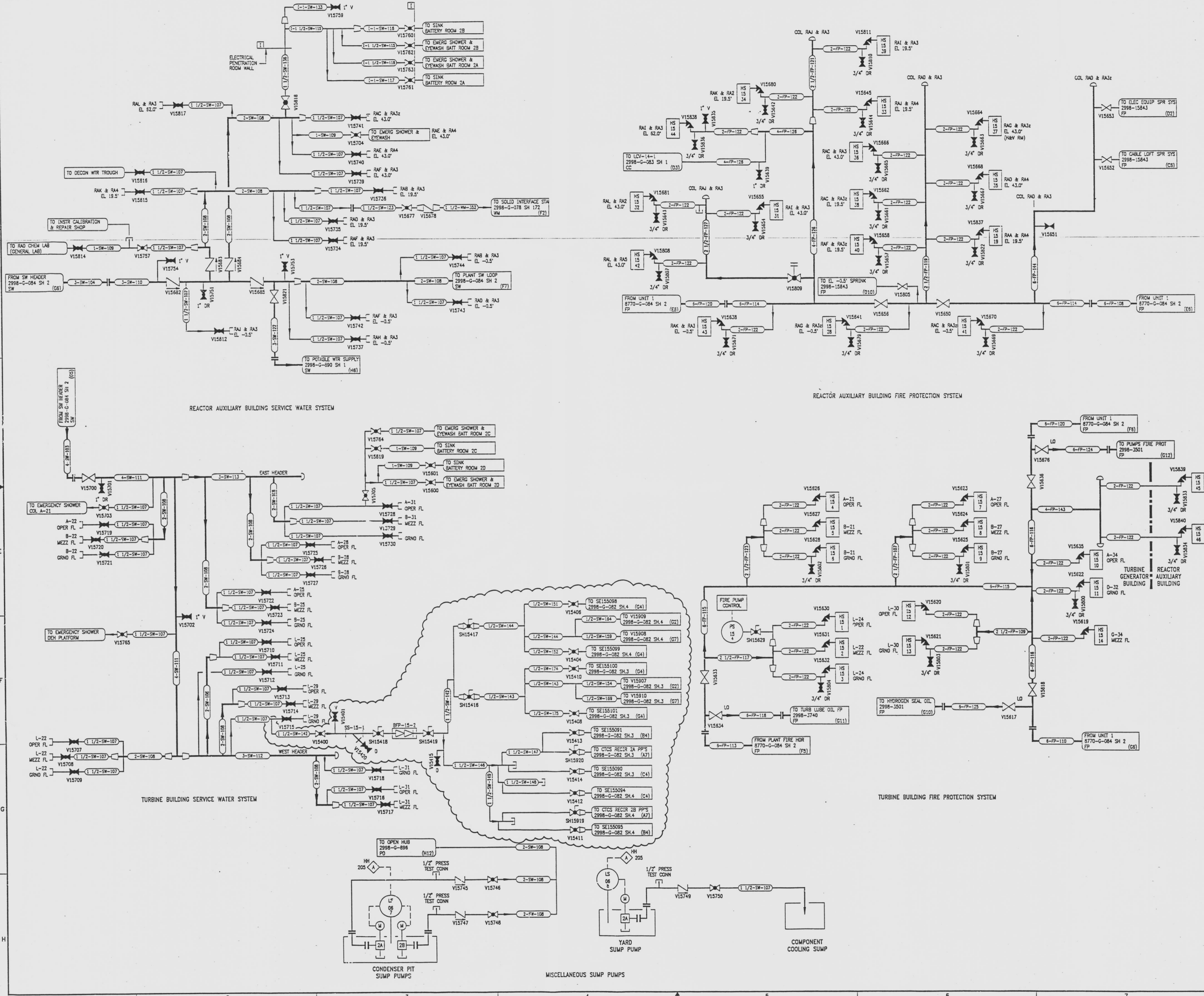
2998-G-087
SH 1

DRAWING NUMBER
2998-G-087
SH 1

DRAWING NUMBER
2998-G-087
SH 1

DRAWING NUMBER
2998-G-087
SH 1

DRAWING NUMBER
2998-G-087
SH 1



| REVISIONS | | | | |
|-----------|---------|---|-----|----------|
| NO | DATE | DESCRIPTION | BY | APPROVED |
| 20 | 8/2/95 | | DAC | JJZ |
| 21 | 4/2/96 | 001-SW-14-15: REDRAWN | JCW | JJZ |
| 22 | 8/8/96 | 001-SW-18-21: REVISE (A3) TAG NUMBER | GM | JJZ |
| 23 | 8/25/97 | 001-SW-50-51: DEL: (B2) LC | GM | VFR |
| 24 | 8/7/97 | 001-SW-50-51: REV: (C4,C7,D7,E5,G7) CONTINUATIONS | GM | JJZ |

REFERENCE DRAWINGS
PIPE VALVE & INSTRUMENT SYMBOLS 2998-G-078 SH 100
VALVE LIST 2998-G-081
LINE LIST 2998-G-082
VALVE OPERATIONAL NUMBER INDEX 2998-G-083
INSTRUMENT INSTALLATION DETAILS 2998-G-231
INSTRUMENT LIST 2998-G-270C

INFORMATION ONLY
VERIFY WITH A CONTROLLED COPY BEFORE USE.

NOTE:
THIS DRAWING IS MADE FROM REV. 19 OF DRAWING 2998-G-087

REVISION OF THIS DRAWING MAY REQUIRE UPDATE OF THE FOLLOWING DOCUMENT: FSAR FIGURE 9.2-7

FLORIDA POWER & LIGHT COMPANY
ST. LUCIE PLANT
1983 - 880 MW EXTENSION - UNIT 2
FLOW DIAGRAM
MISCELLANEOUS SYSTEMS

RAYTHEON ENGINEERS & CONSTRUCTORS, INC.

| | | |
|------------------|----------|------------|
| SCALE: NONE | APPROVAL | DATE |
| DR: MESH | | 2998-G-087 |
| CHK: J. CHESTNUT | | SHEET |
| CHK: S. BARNHART | | 1 |

9712040015 -06 E