

2998-G-272A

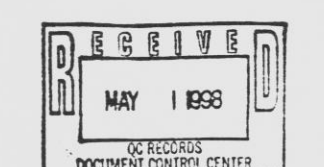
- NOTES:
- THIS DRAWING IS A COMBINATION OF UNIT 1 AND 2 MAIN AND AUXILIARY ONE LINE DIAGRAMS AND DEPICTS ALL BUSES DOWN TO 480V LOAD CENTER LEVEL WITH THE BREAKER/DISCONNECT SWITCH NUMBERS.
 - FOR SPECIFIC DETAILS AND RATINGS OF EQUIPMENT, REFER TO THE SPECIFIC PLANT DRAWINGS REFERENCED BELOW.
 - TERMINATION CABINET ONLY
 - AUTOMATIC TRANSFER SWITCH

REVISIONS				
NO	DATE	DESCRIPTION	BY	CH
1	9-12-91	ADDED: (L18) NOTE: DELETED: (A9,A11,A12) SWYO GND SWITCHES PER PCM 415-291M(2)	LEL	DER (RFM WJ) EJA
2	9-12-91	E.J. AUSTIN PE # 40862	FS	DER (RFM WJ) EJA
3	2/19/91	ADDED TAG NUMBERS TO REMOVABLE LINKS BETWEEN MAIN AND UNIT AUX TRANSFORMERS (F4,F7, F14,F17) PER PCM 25075-5235	WJ	WL

REFERENCE DRAWINGS:

MAIN ONE LINE DIAGRAM	8770-G-272
AUXILIARY ONE LINE DIAGRAM	8770-G-274
SWITCHYARD ONE LINE DIAGRAM	8770-G-417
MAIN ONE LINE DIAGRAM	2998-G-272
AUXILIARY ONE LINE DIAGRAM	2998-G-274 SH 1
AUXILIARY ONE LINE DIAGRAM	2998-G-274 SH 2

INFORMATION ONLY
VERIFY WITH A CONTROLLED COPY BEFORE USE.



THE DESIGN INFORMATION FOR THE CHANGES SHOWN IN THIS REVISION HAS BEEN ENGINEERED BY FLORIDA POWER & LIGHT COMPANY.

NUCLEAR SAFETY RELATED IN PART ONLY

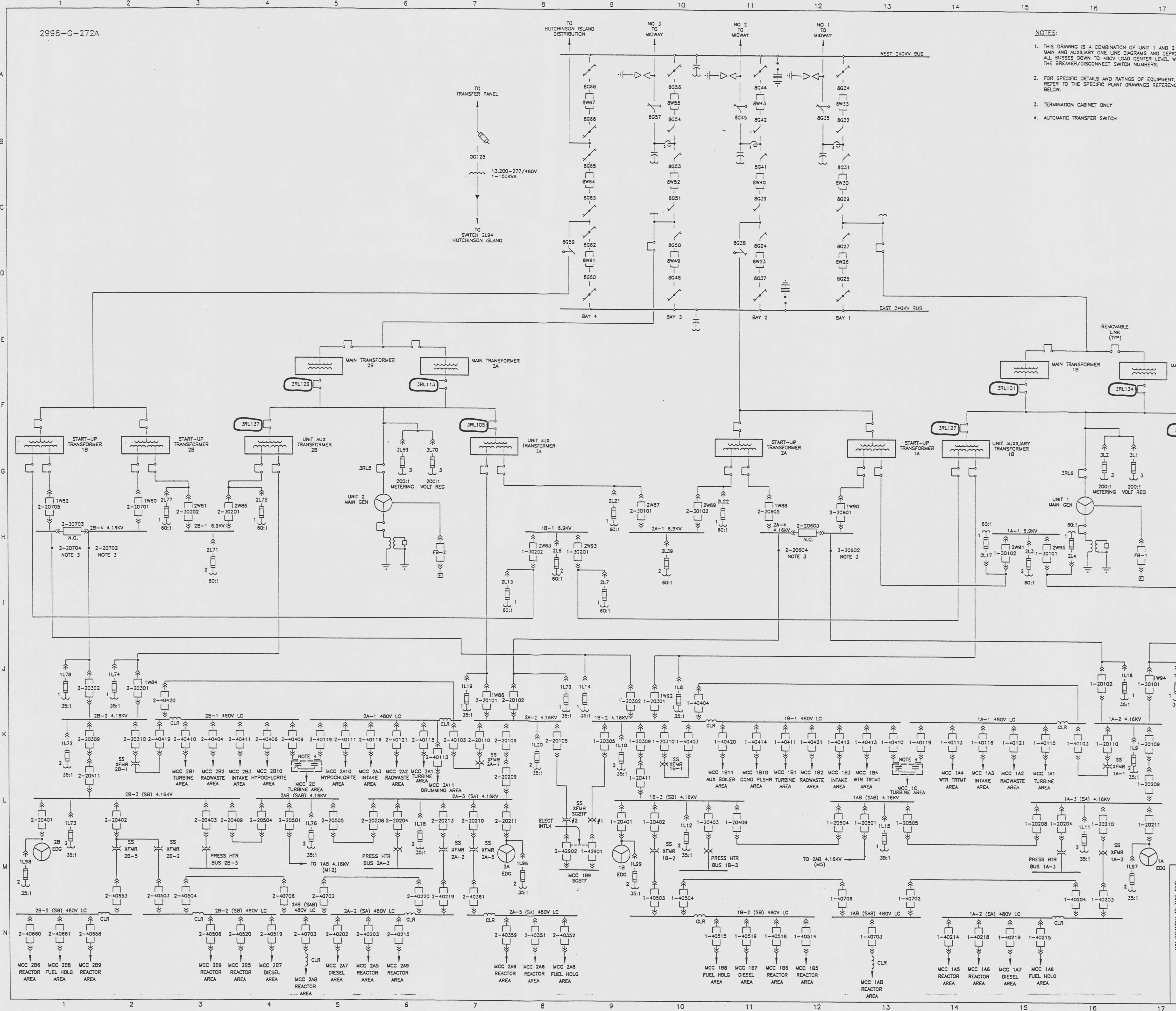
STATE OF FLORIDA
ALAN L. SCHLIDRAUT
#29986
REGISTERED PE
APPROVAL DATE: 02/15/1991

THIS DOCUMENT IS THE PROPERTY OF EBASCO SERVICES INCORPORATED. ITS USE IS EXPRESSLY RESTRICTED BY THE TERMS OF THE CONTRACT, DATED AS OF AUGUST 19, 1988 BETWEEN EBASCO SERVICES INCORPORATED AND FLORIDA POWER & LIGHT COMPANY.

FLORIDA POWER & LIGHT COMPANY
ST LUCIE PLANT
1976 - 890 MW INSTALLATION - UNIT 1
1983 - 890 MW EXTENSION - UNIT 2
COMBINED MAIN AND AUXILIARY ONE LINE DIAGRAM

EBASCO SERVICES INCORPORATED
SCALE: NONE
DATE: 2/19/91
APPROVED: ALAN L. SCHLIDRAUT
DIV: ELECTRICAL
DR: D. MOYER/AJD
CH: W. JACQUES

FILE: USE00422



DP

DRAWING NUMBER
2998-G-272A

DRAWING NUMBER
2998-G-272A

DRAWING NUMBER
2998-G-272A

9712040015-2