

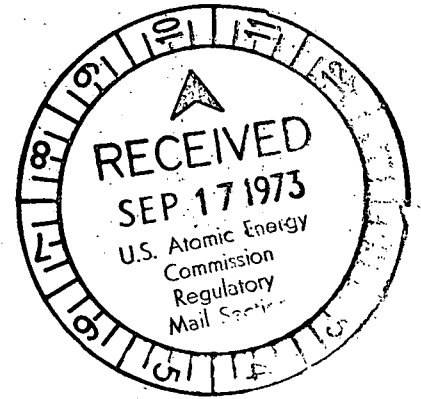


**Commonwealth Edison**  
 One First National Plaza, Chicago, Illinois  
 Address Reply to: Post Office Box 767  
 Chicago, Illinois 60690

Regulatory

File On

August 29, 1973



Mr. D. L. Ziemann, Chief  
 Operating Reactors - Branch 2  
 Directorate of Licensing  
 U.S. Atomic Energy Commission  
 Washington, D C. 20545

Subject: Dresden and Quad-Cities Stations  
 Supplement 5 to Dresden Special Report No. 14/  
 Supplement 3 to Quad-Cities Special Report No. 7,  
 Comparison of Dresden/Quad-Cities Containment  
 Atmospheric Dilution System with Duane Arnold  
 Containment Atmospheric Dilution (CAD) System -  
 AEC Dkts 50-237, 50-249, 50-254 and 50-265

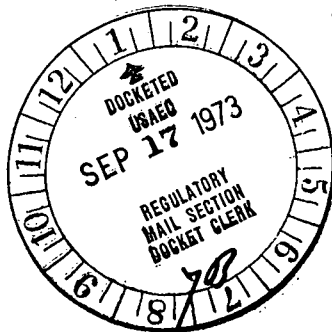
Dear Mr. Ziemann:

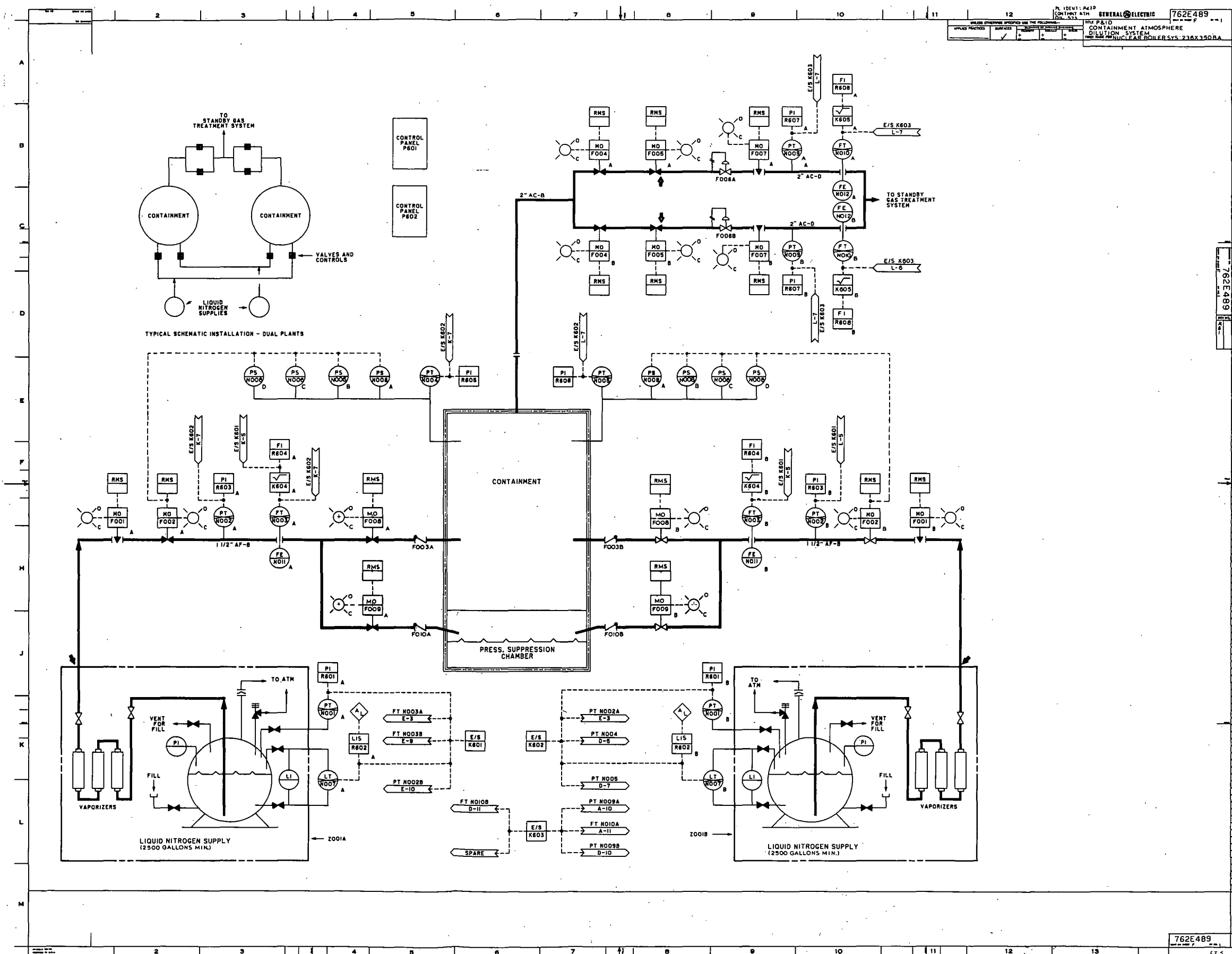
On August 20, 1973, we submitted Supplement 4 to Dresden Special Report No. 14 and Supplement 2 to Quad-Cities Special Report No. 7. In that submittal we stated that the CAD system P&ID would be submitted by August 31, 1973. Attached as Supplement 5 to Dresden Special Report No. 14/ Supplement 3 to Quad-Cities Special Report No. 7 are these P&ID's. One signed original and 59 copies of this supplement are provided.

Very truly yours,

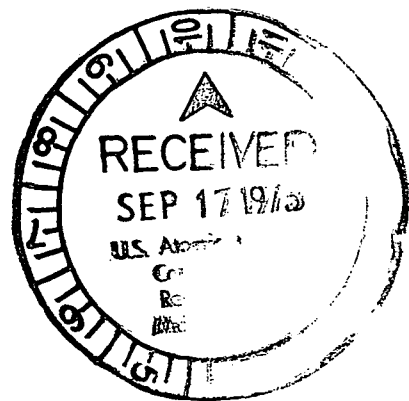
*J. S. Abel*  
 J. S. Abel  
 Nuclear Licensing Administrator -  
 Boiling Water Reactors

Att.





762E489



50-237  
50-249  
50-254  
50-265