

Appendix 11B. Figures

Figure 11-1. 3" Liquid Waste Discharge

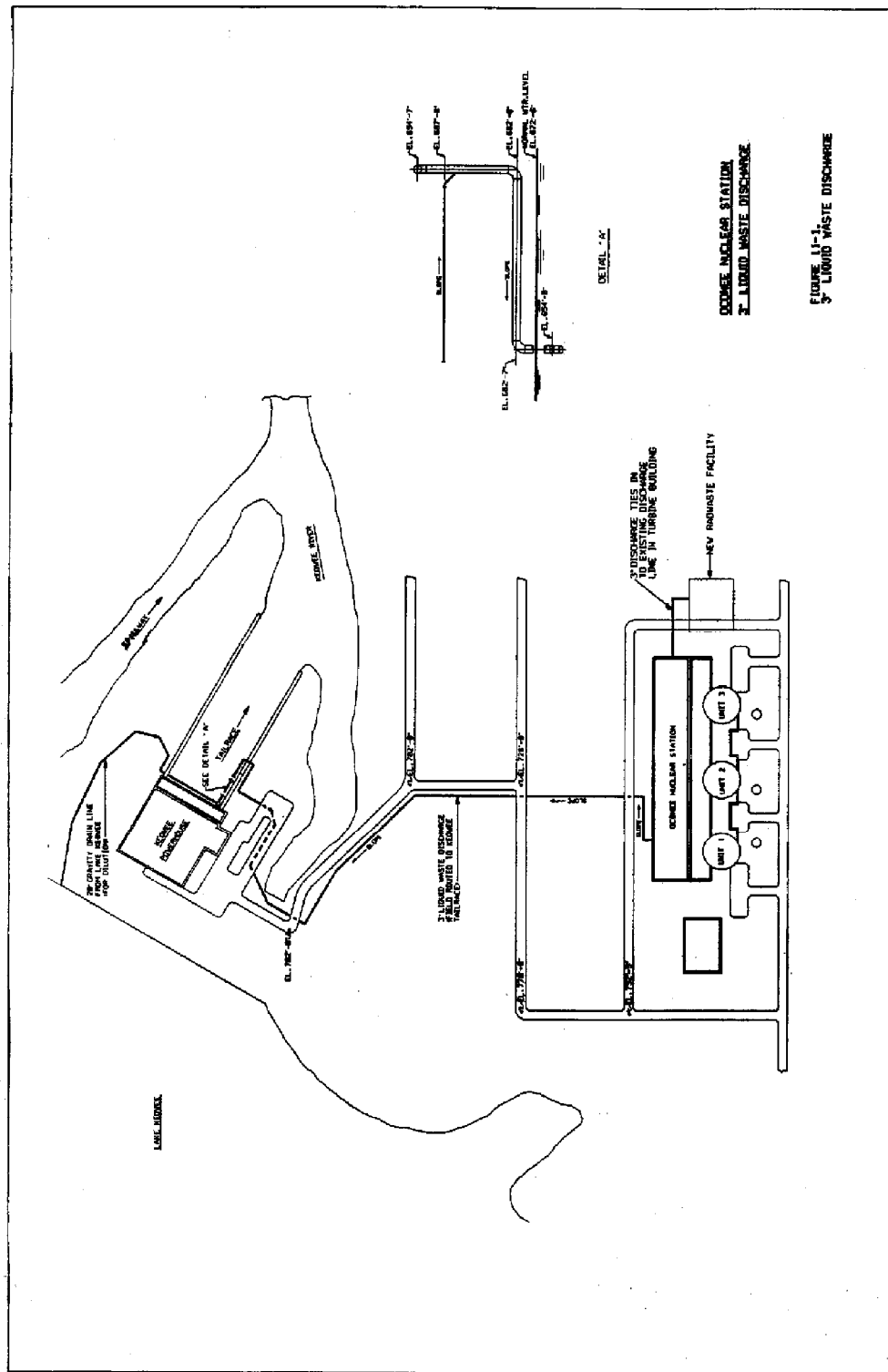


Figure 11-2. Liquid Waste Disposal System

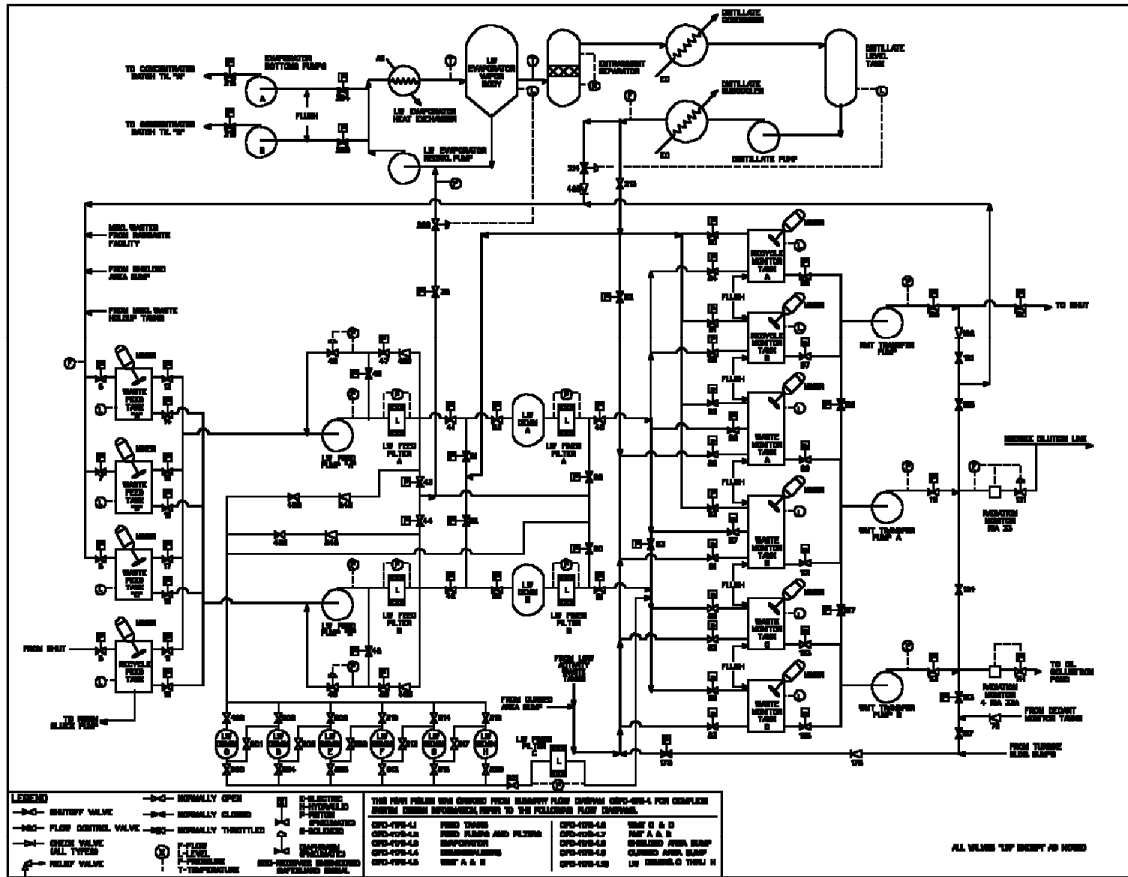
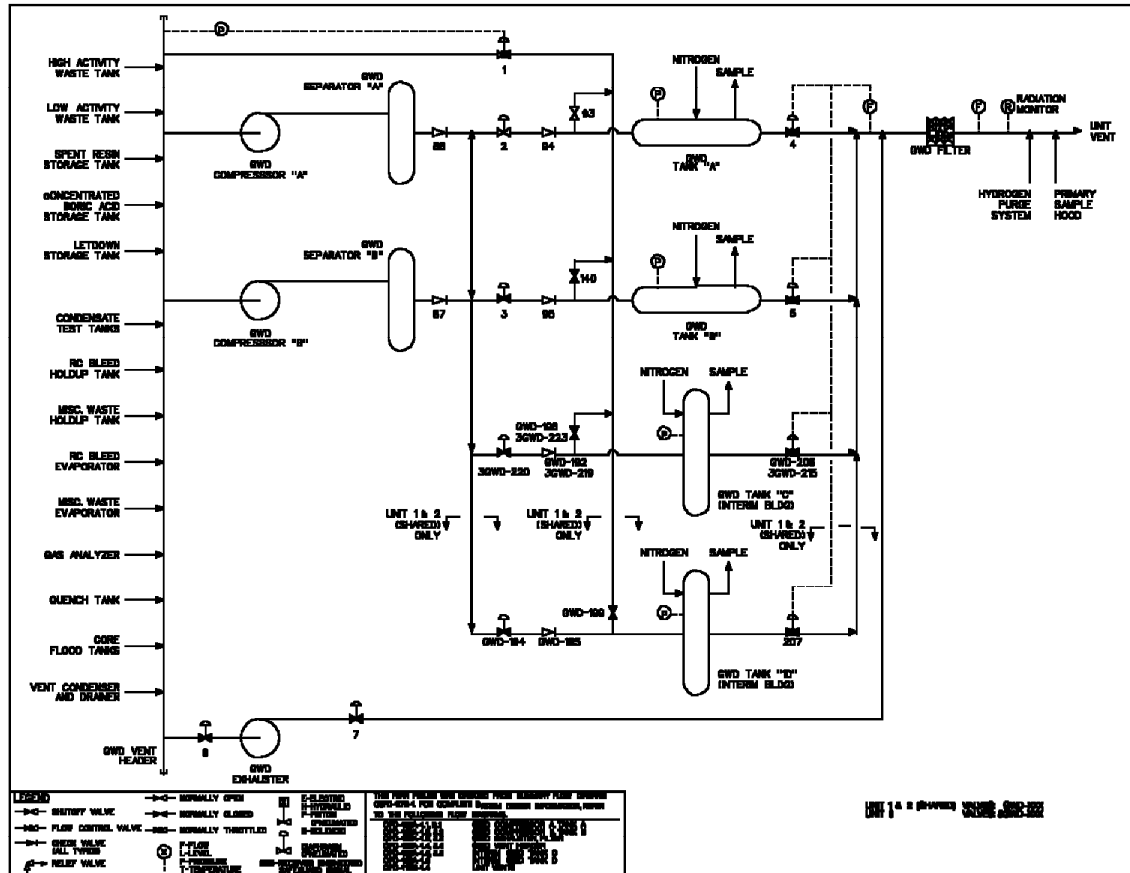
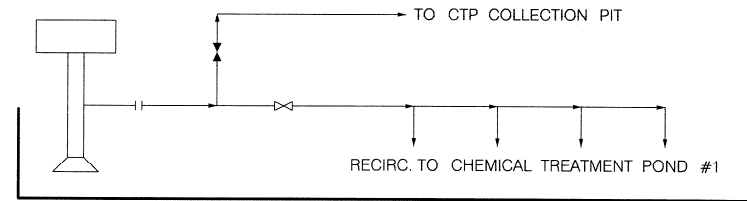


Figure 11-3. Gaseous Waste Disposal System

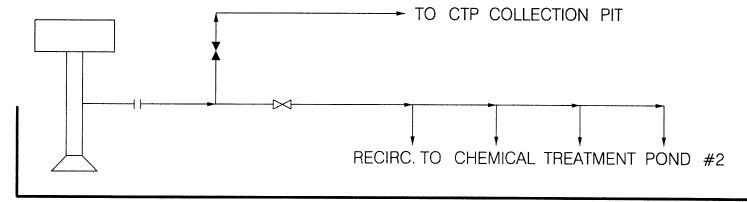


UNIT 1 & 2 SHARED UNIT 1 & 2

Figure 11-4. Waste Water Collection Basin

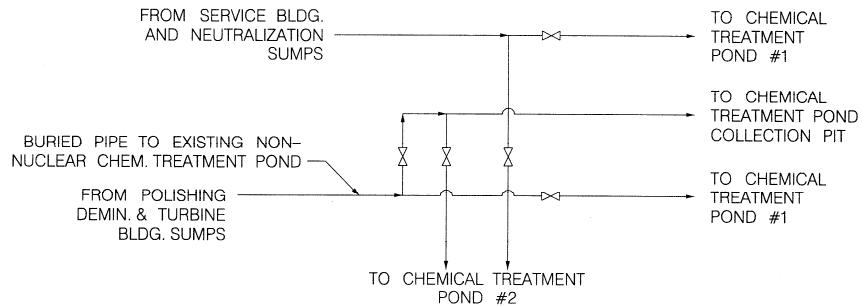


CHEMICAL TREATMENT POND #1 (LOWER)

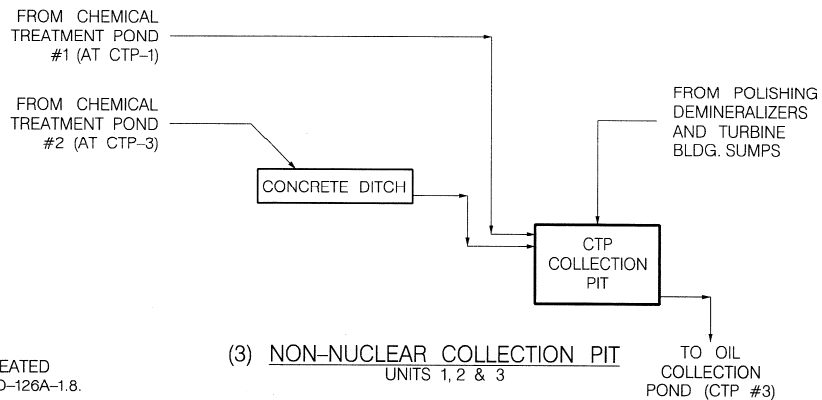


CHEMICAL TREATMENT POND #2 (UPPER)

(1) NON-NUCLEAR CHEMICAL TREATMENT POND MIXING SYSTEM
UNITS 1, 2 & 3



(2) NON-NUCLEAR CHEMICAL TREATMENT POND
UNITS 1, 2 & 3



(3) NON-NUCLEAR COLLECTION PIT
UNITS 1, 2 & 3

THIS FSAR FIGURE WAS CREATED FROM FLOW DIAGRAM OFD-126A-1.8.

Figure 11-5. Deleted Per 1999 Update

Figure 11-6. Deleted Per 1997 Update