

Appendix 8B. Figures

Figure 8-1. Single Line Diagram

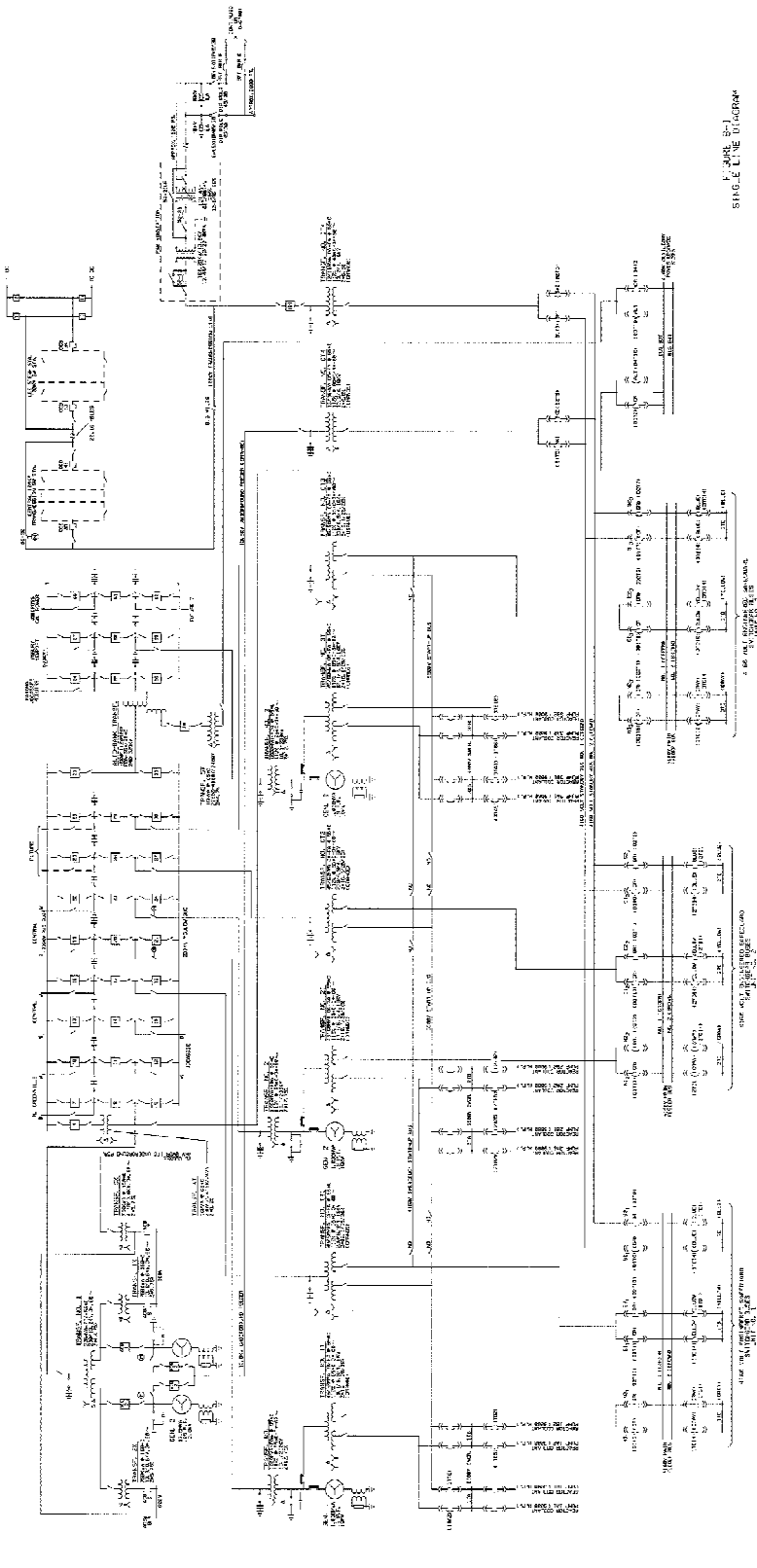


Figure 8-2. Site Transmission Map

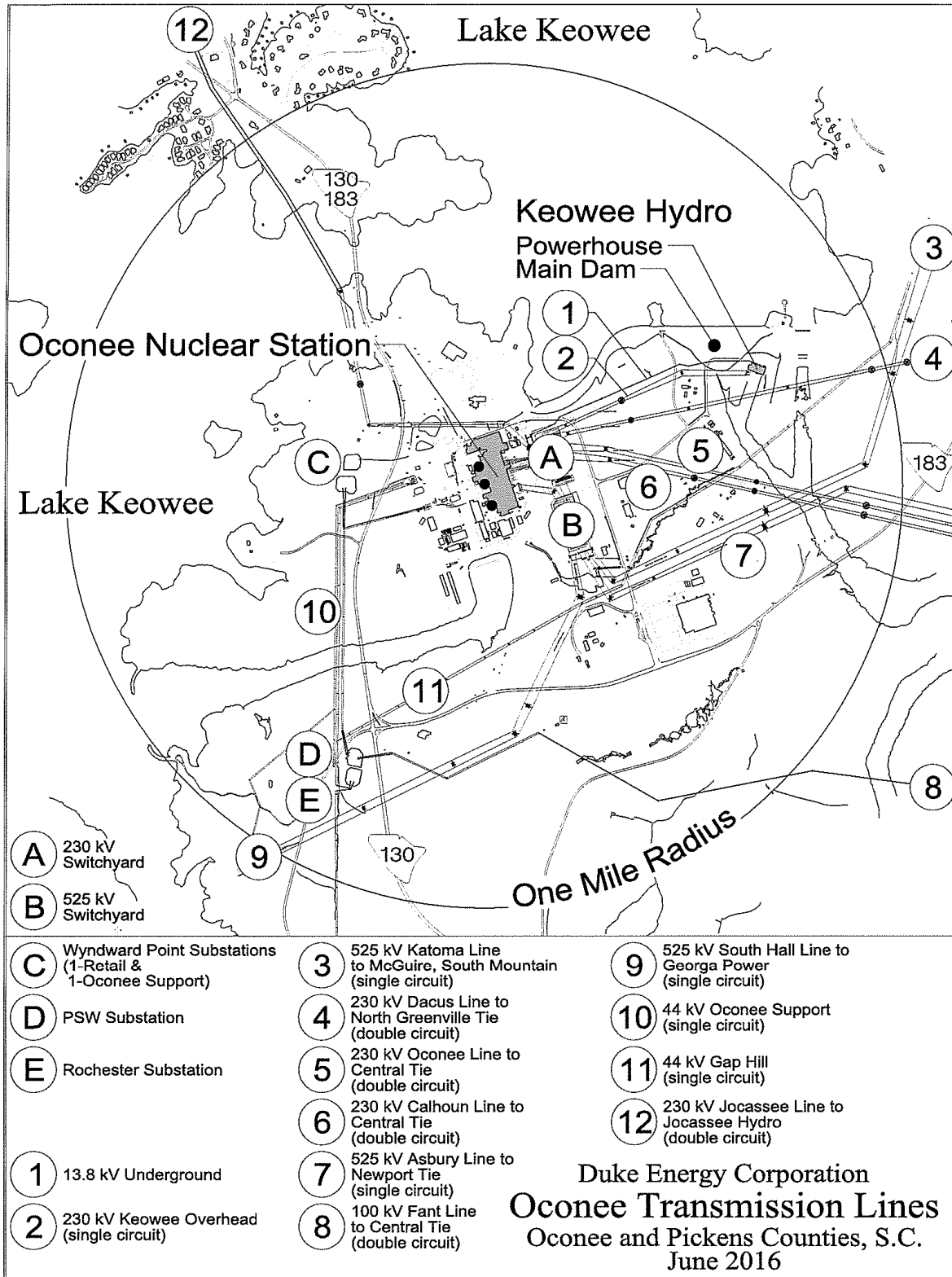
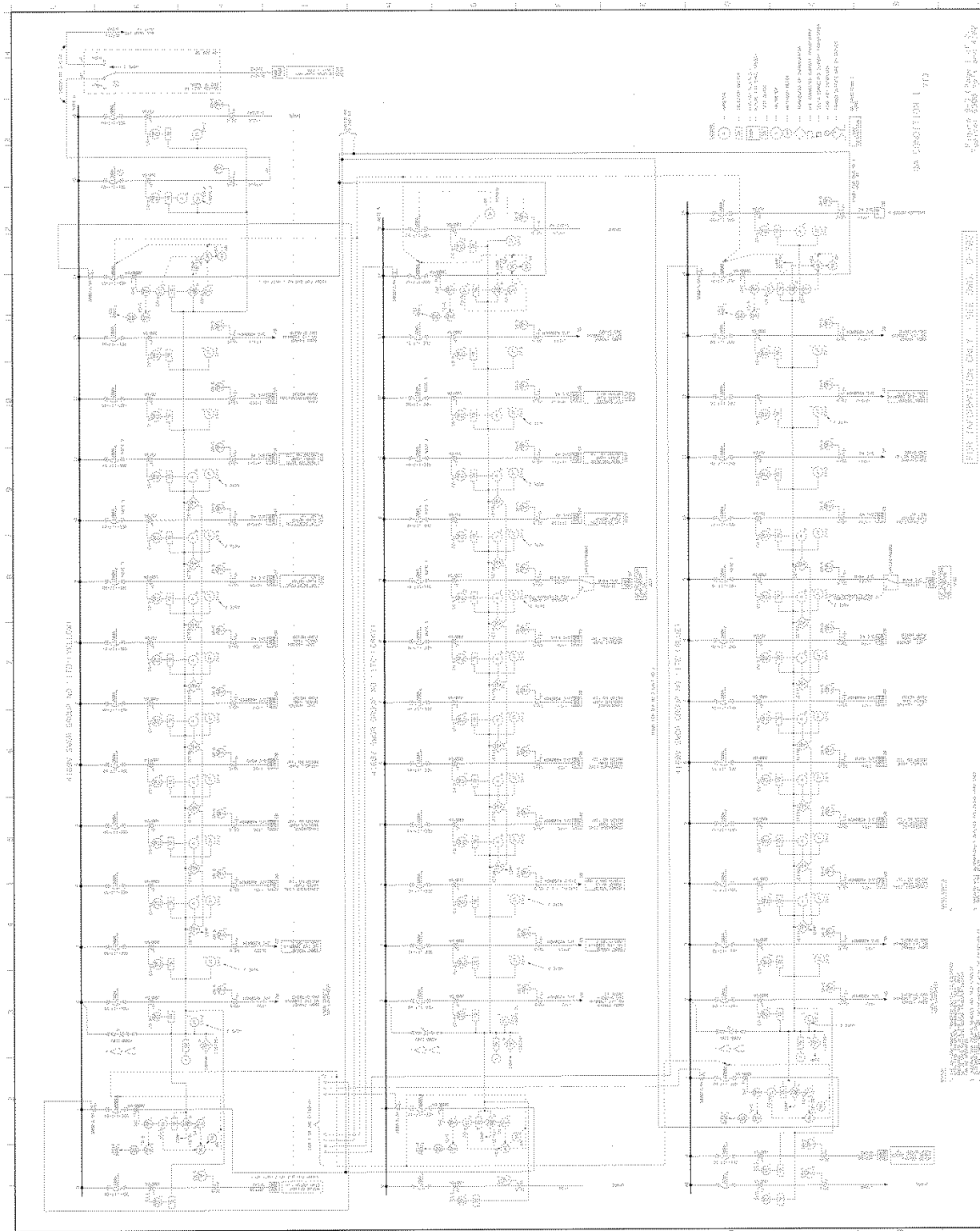


Figure 8-3. Typical 6900 Volt and 4160 Volt Unit Auxiliary - Single Line Diagram



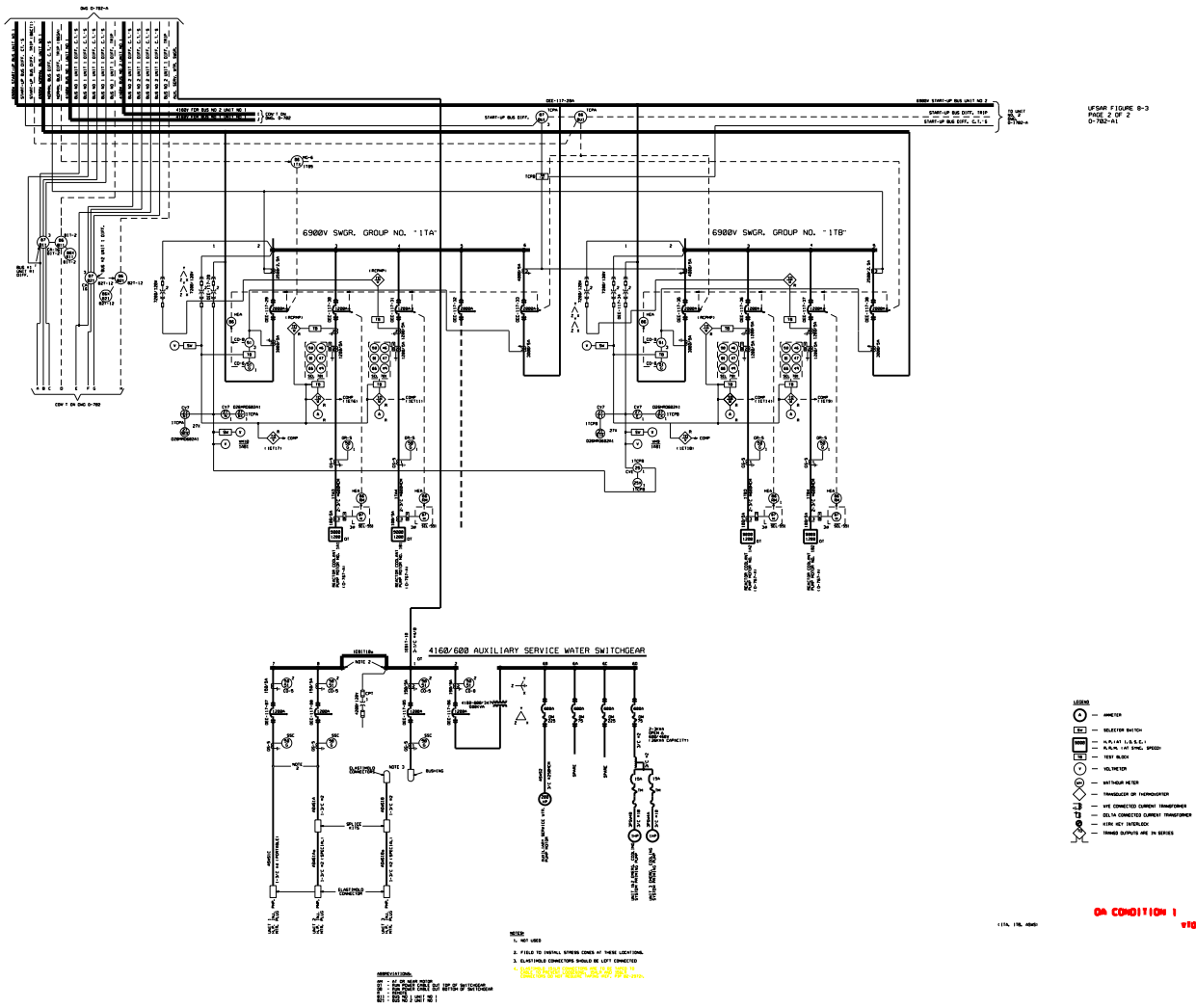
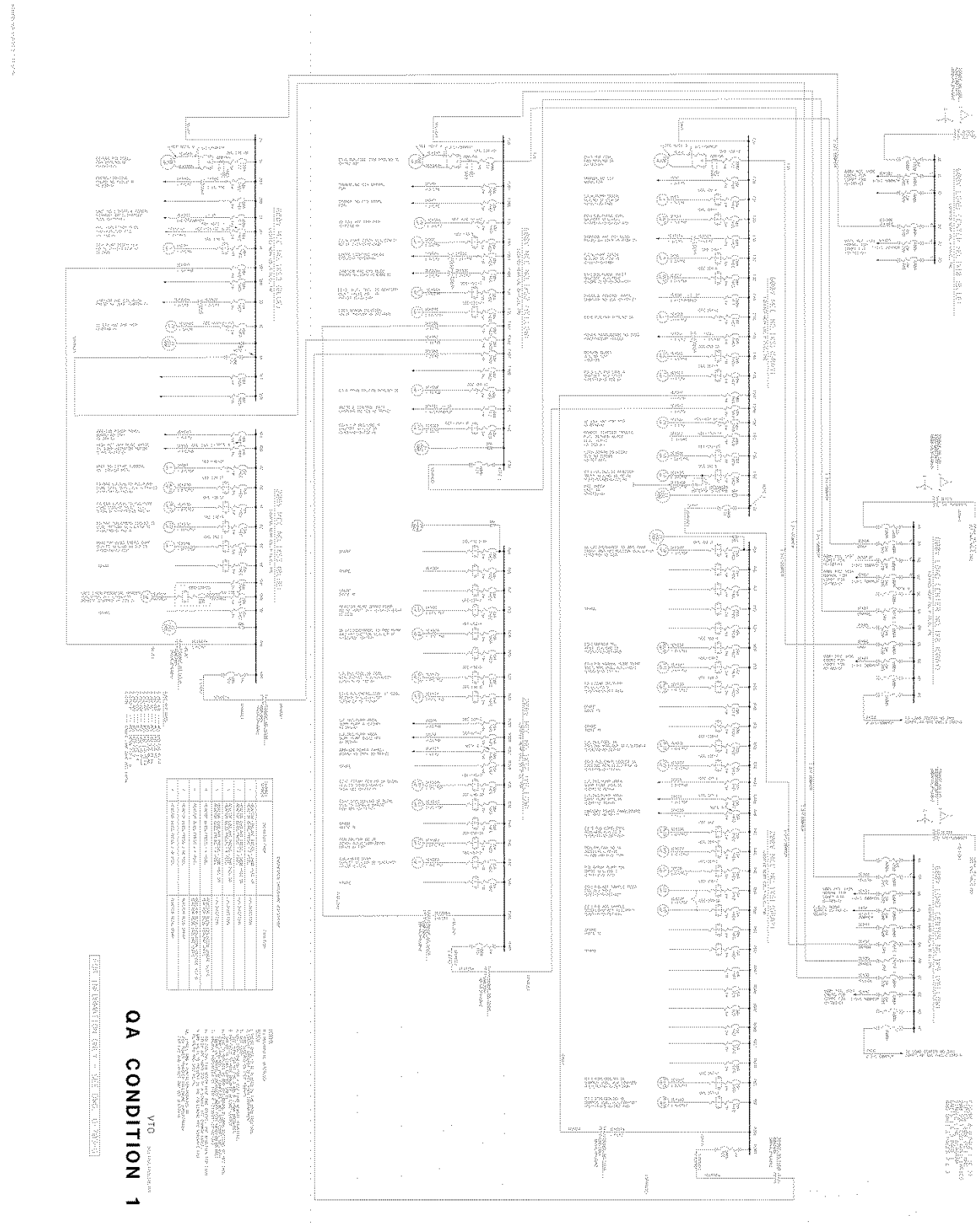


Figure 8-4. Typical 600 Volt and 208 Volt ESG Auxiliaries - Single Line Diagram



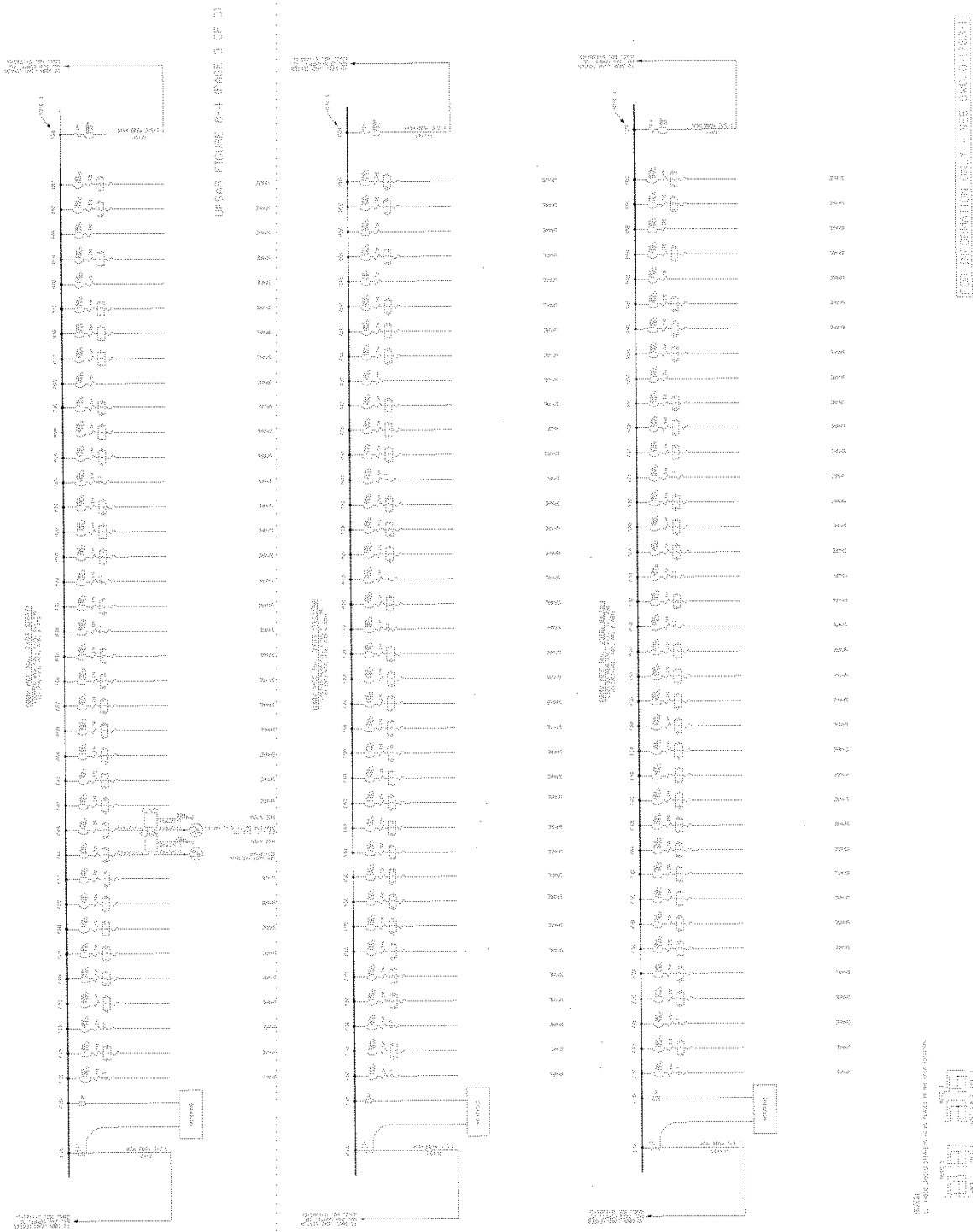


Figure 8-5. Typical DC and AC Vital Power System - Single Line Diagram

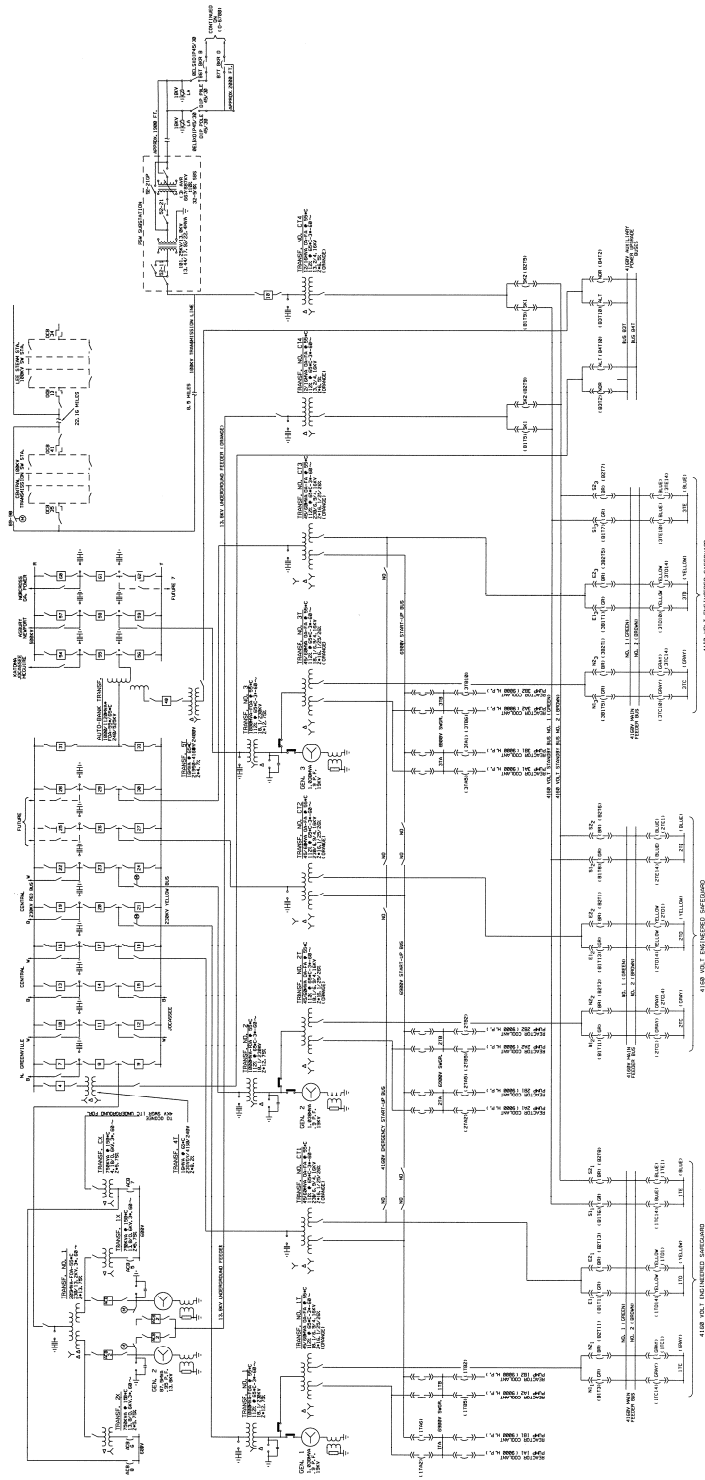
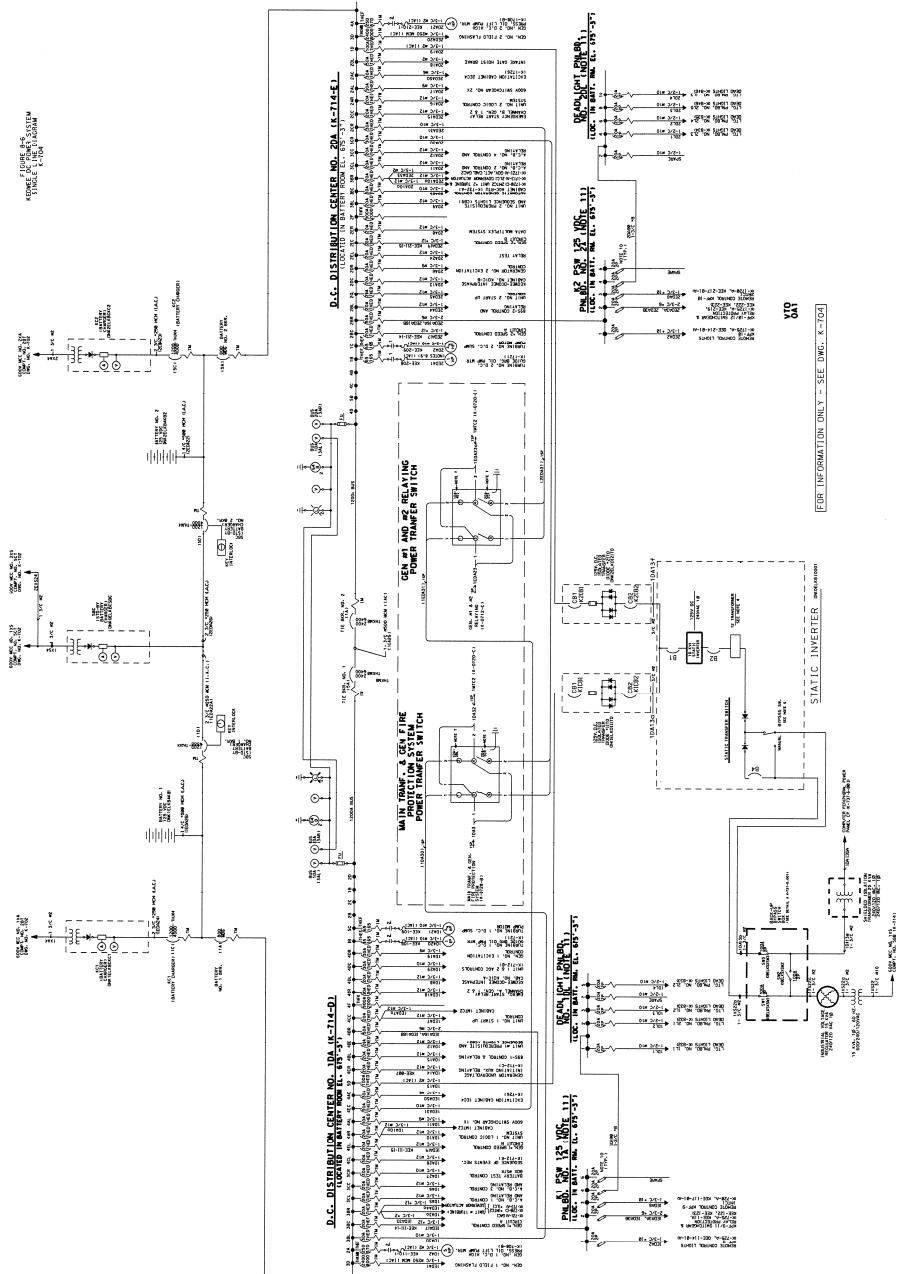


FIGURE 8-5
TYPICAL DC AND AC VITAL POWER SYSTEM
SINGLE LINE DIAGRAM

Fig-5.0CN 2/26/2016 12:19:57 PM

Figure 8-6. Keowee DC Power System - Single Line Diagram



KW00098R DGN 4/10/2014 3:59:05 PM

Figure 8-7. 230 KV SWYD One Line 125V DC

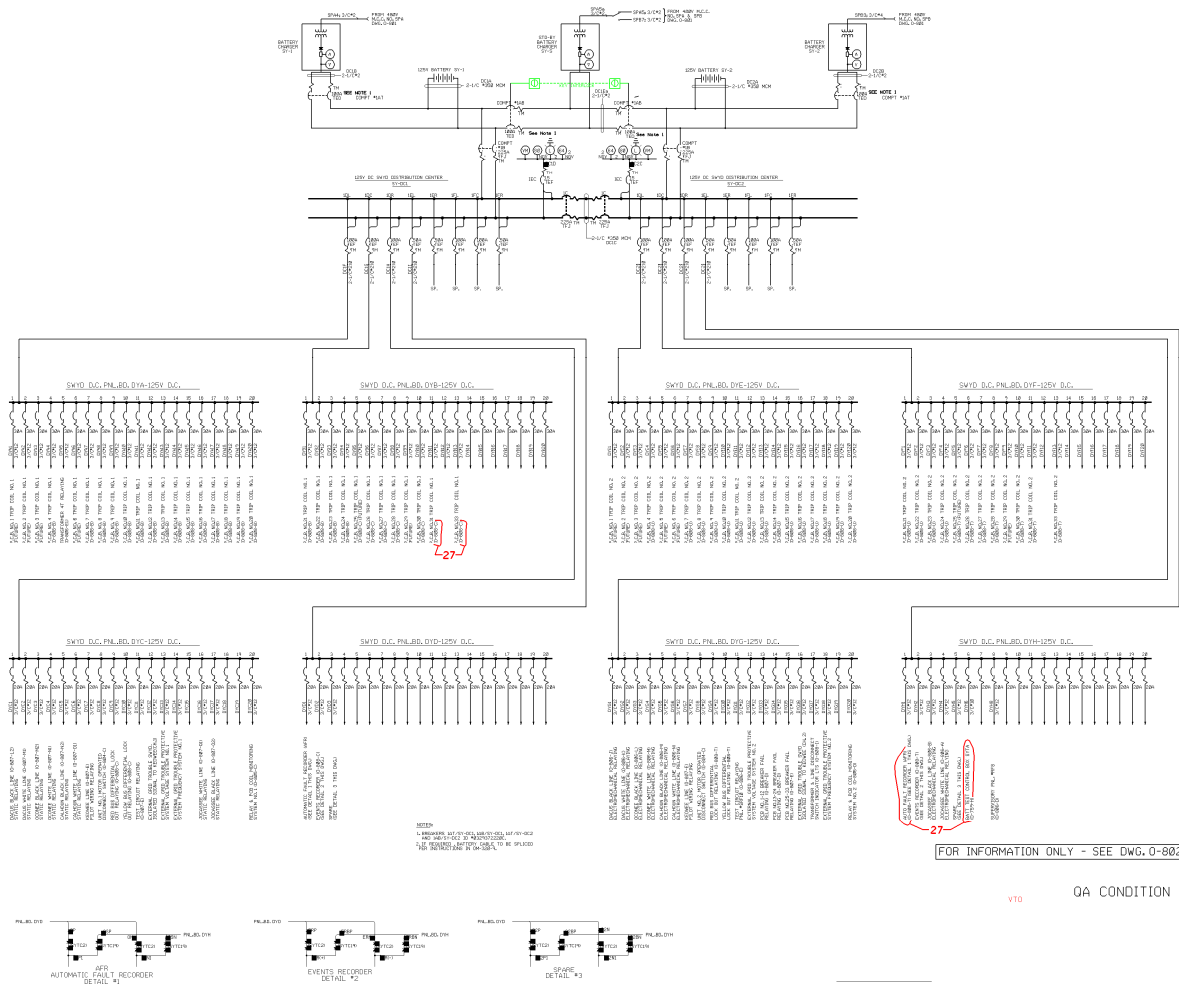
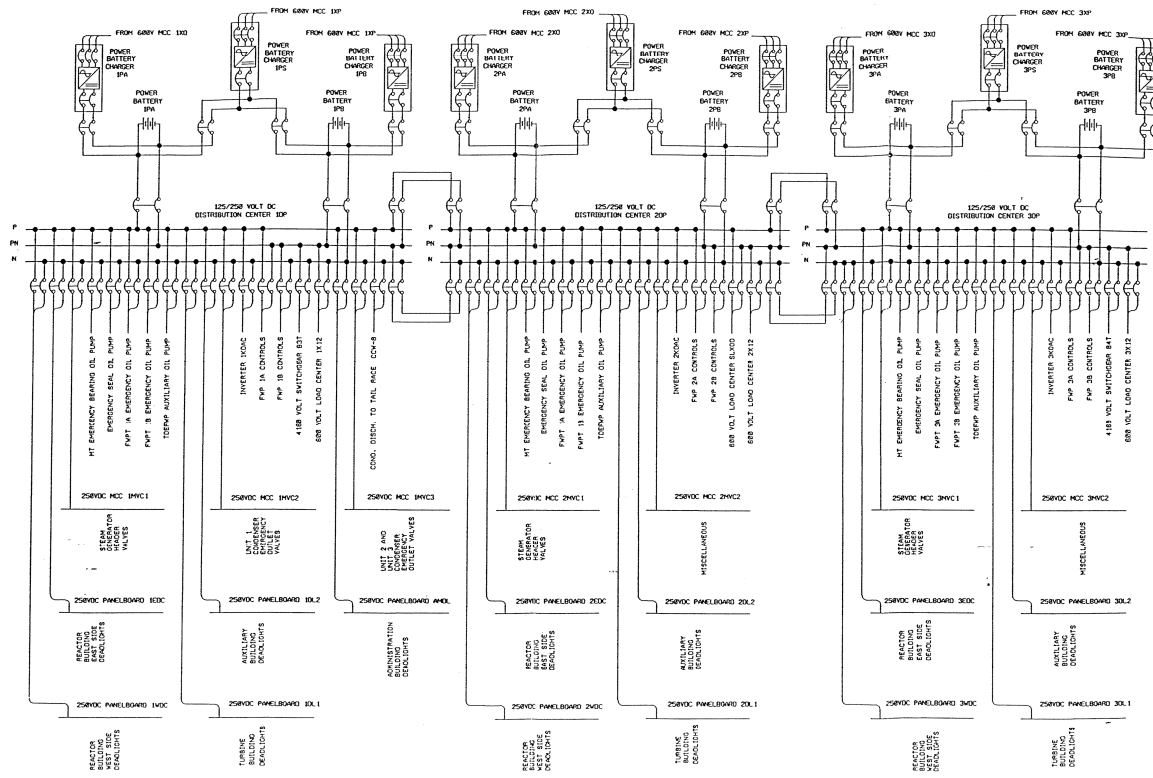


Figure 8-8. Deleted Per 1997 Update

Figure 8-9. 125/250 VDC Station Aux. Circuits



NOTE:
1. LOADS SHOWN ARE MAJOR LOADS
AND NOT INCLUSIVE OF ALL LOADS.

DEC 31 2000

FIGURE 8-9
125/250 VDC STATION AUX. CIRCUITS