

Security-Related Information
Figure Withheld Under 10 CFR 2.390

PEACH BOTTOM ATOMIC POWER STATION
UNITS 2 AND 3
UPDATED FINAL SAFETY ANALYSIS

GENERAL ARRANGEMENT
DRYWELL AND SUPPRESSION CHAMBER

FIGURE M.1.1

Rev. 19 04/03

Security-Related Information
Figure Withheld Under 10 CFR 2.390

PHILADELPHIA ELECTRIC COMPANY
PEACH BOTTOM ATOMIC POWER STATION
UPDATED FINAL SAFETY ANALYSIS REPORT

DRYWELL SHELL STRETCHOUT
UNITS 2 AND 3

FIGURE M.2.1

REV. 4 01/86

Security-Related Information
Figure Withheld Under 10 CFR 2.390

**PHILADELPHIA ELECTRIC COMPANY
PEACH BOTTOM ATOMIC POWER STATION
UNITS 2 AND 3
UPDATED FINAL SAFETY ANALYSIS REPORT**

DRYWELL PENETRATION SCHEDULE
AND ORIENTATION BELOW EQUATOR

FIGURE M.2.2

Security-Related Information
Figure Withheld Under 10 CFR 2.390

PHILADELPHIA ELECTRIC COMPANY
PEACH BOTTOM ATOMIC POWER STATION
UPDATED FINAL SAFETY ANALYSIS REPORT

DRYWELL PENETRATION SCHEDULE
AND
ORIENTATION ABOVE EQUATOR
UNITS 2 AND 3

FIGURE M.2.3

REV. 4 01/86

Figure M.2.4

Deleted

Security-Related Information
Figure Withheld Under 10 CFR 2.390

**PHILADELPHIA ELECTRIC COMPANY
PEACH BOTTOM ATOMIC POWER STATION
UNITS 2 AND 3
UPDATED FINAL SAFETY ANALYSIS REPORT**

EQUIPMENT ACCESS

FIGURE M.2.5

Security-Related Information
Figure Withheld Under 10 CFR 2.390

**PHILADELPHIA ELECTRIC COMPANY
PEACH BOTTOM ATOMIC POWER STATION
UNITS 2 AND 3
UPDATED FINAL SAFETY ANALYSIS REPORT**

GENERAL ARRANGEMENT
EQUIPMENT ACCESS WITH
PERSONNEL LOCK

FIGURE M.2.6

Security-Related Information
Figure Withheld Under 10 CFR 2.390

**PHILADELPHIA ELECTRIC COMPANY
PEACH BOTTOM ATOMIC POWER STATION
UNITS 2 AND 3
UPDATED FINAL SAFETY ANALYSIS REPORT**

DRYWELL HEAD ACCESS AND
CONSTRUCTION MANWAY

FIGURE M.2.7 REV. 10 01/92

Security-Related Information
Figure Withheld Under 10 CFR 2.390

**PHILADELPHIA ELECTRIC COMPANY
PEACH BOTTOM ATOMIC POWER STATION
UNITS 2 AND 3
UPDATED FINAL SAFETY ANALYSIS REPORT**

VENT LINE AND VENT HEADER ASSEMBLY

FIGURE M.2.8

Security-Related Information
Figure Withheld Under 10 CFR 2.390

PHILADELPHIA ELECTRIC COMPANY
PEACH BOTTOM ATOMIC POWER STATION
UNITS 2 AND 3
UPDATED FINAL SAFETY ANALYSIS REPORT

CONTROL ROD DRIVE REMOVAL HATCH

Figure M.2.9

Rev. 21 04/07

Security-Related Information
Figure Withheld Under 10 CFR 2.390

**PHILADELPHIA ELECTRIC COMPANY
PEACH BOTTOM ATOMIC POWER STATION
UNITS 2 AND 3
UPDATED FINAL SAFETY ANALYSIS REPORT**

CONTROL ROD DRIVE PENETRATIONS

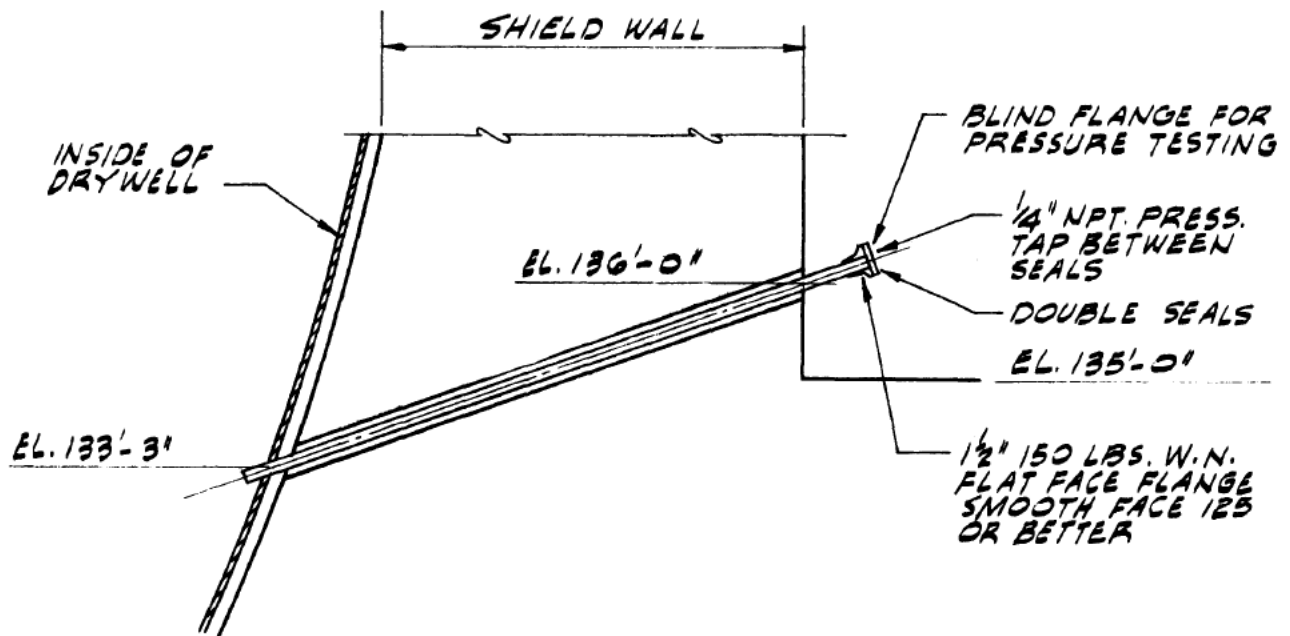
FIGURE M.2.10

Security-Related Information
Figure Withheld Under 10 CFR 2.390

**PHILADELPHIA ELECTRIC COMPANY
PEACH BOTTOM ATOMIC POWER STATION
UNITS 2 AND 3
UPDATED FINAL SAFETY ANALYSIS REPORT**

SUPPRESSION CHAMBER ACCESS HATCH

FIGURE M.2.11



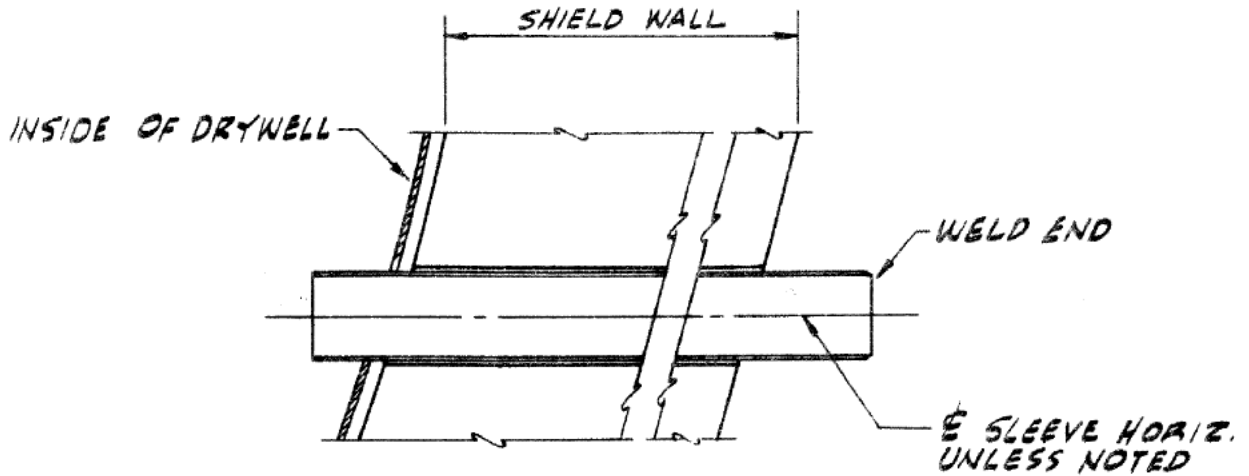
TYPE 1 : (N-35) FOR TIP LINES IN DRYWELL

FIGURE 2

PHILADELPHIA ELECTRIC COMPANY
 PEACH BOTTOM ATOMIC POWER STATION
 UNITS 2 AND 3
 UPDATED FINAL SAFETY ANALYSIS REPORT

PENETRATION - TYPE 1

FIGURE M.2.12



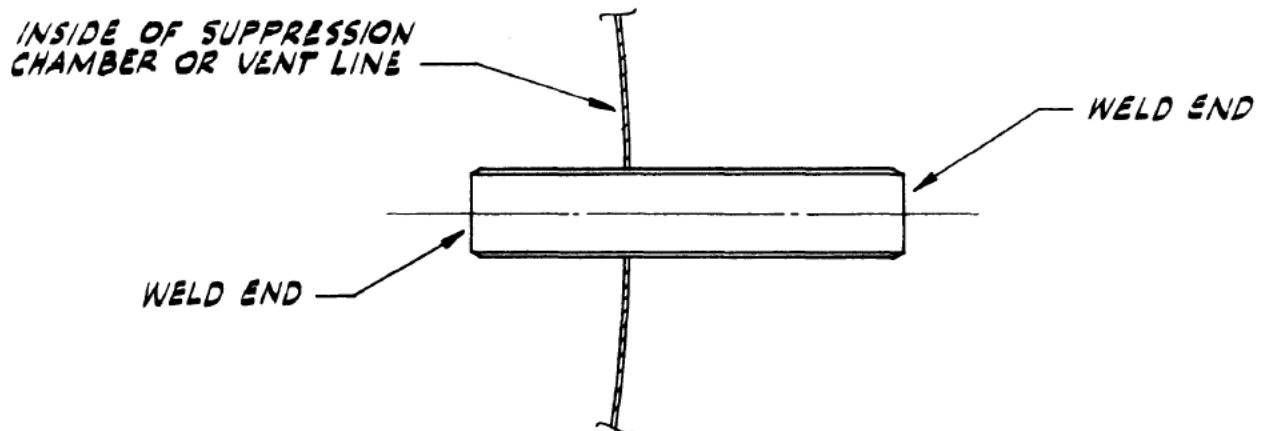
- TYPE 2: FOR CONNECTING TO EXPANSION BELLOWS OR FLUID HEAD (FOR HOT LINES) IN DRYWELL
- TYPE 3: FOR CONNECTING TO PROCESS LINES (COLD) OR FOR ELECTRICAL PENETRATIONS IN DRYWELL

PEACH BOTTOM ATOMIC POWER STATION
 UNITS 2 AND 3
 UPDATED FINAL SAFETY ANALYSIS REPORT

PENETRATIONS – TYPE 2 AND TYPE 3

FIGURE M.2.13

REV. 22, APRIL 2009

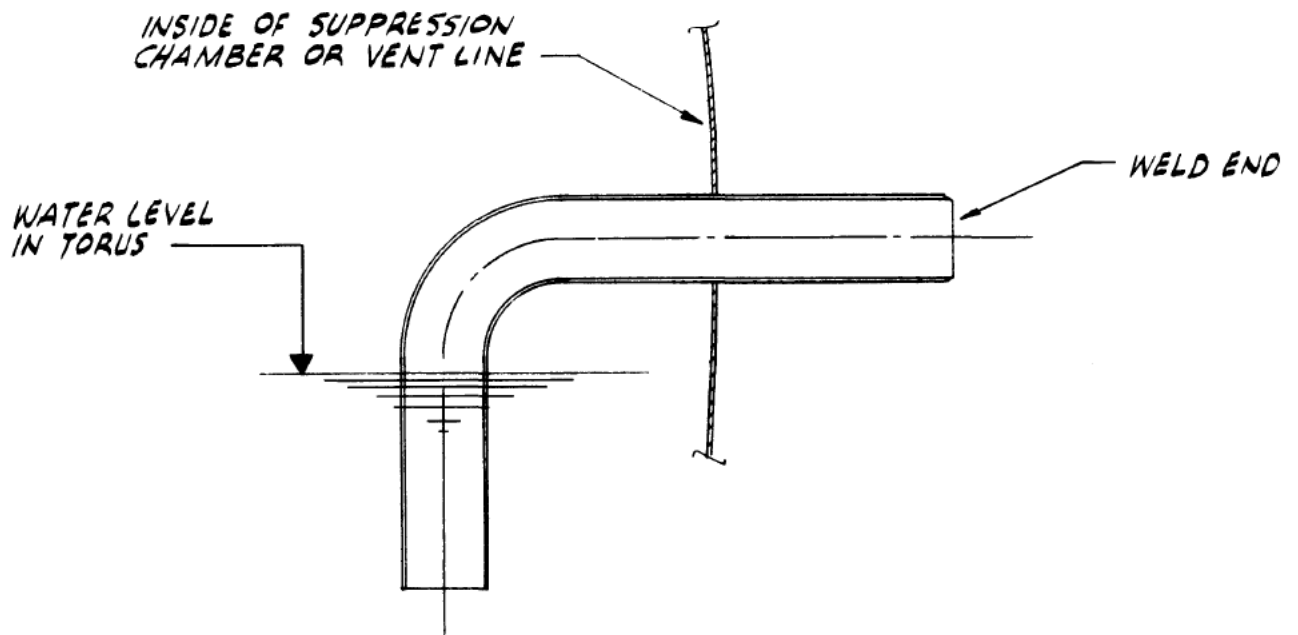


TYPE 4: FOR ELECTRICAL PENETRATIONS
AND PROCESS LINES IN TORUS

PHILADELPHIA ELECTRIC COMPANY
PEACH BOTTOM ATOMIC POWER STATION
UNITS 2 AND 3
UPDATED FINAL SAFETY ANALYSIS REPORT

PENETRATION - TYPE 4

FIGURE M.2.14



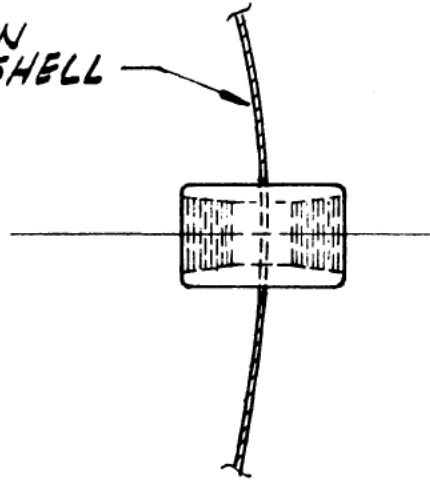
TYPE 5: FOR PROCESS LINES IN TORUS

PHILADELPHIA ELECTRIC COMPANY
PEACH BOTTOM ATOMIC POWER STATION
UNITS 2 AND 3
UPDATED FINAL SAFETY ANALYSIS REPORT

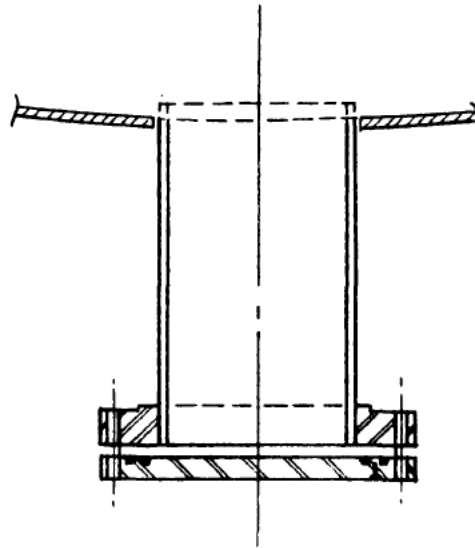
PENETRATION - TYPE 5

FIGURE M.2.15

SUPPRESSION
CHAMBER SHELL



TYPE 6 : FOR INSTRUMENTATION IN TORUS

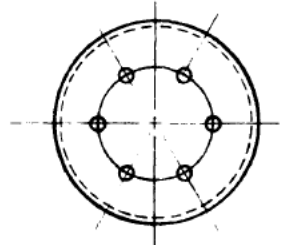
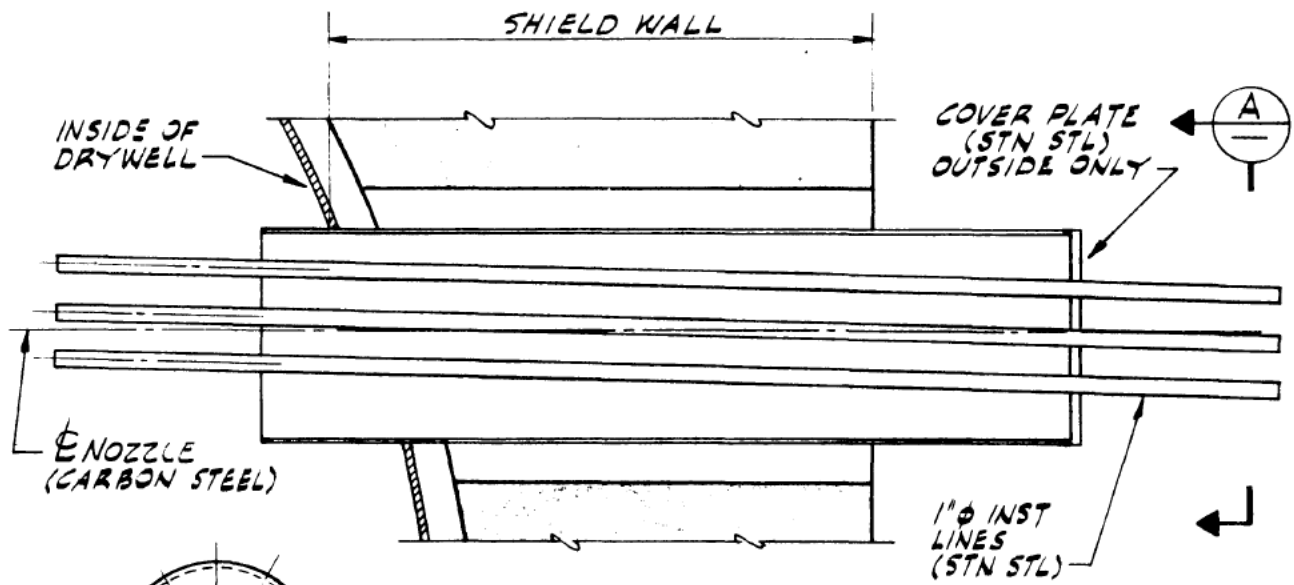


TYPE 7 : FOR DRAINAGE IN TORUS

PHILADELPHIA ELECTRIC COMPANY
PEACH BOTTOM ATOMIC POWER STATION
UNITS 2 AND 3
UPDATED FINAL SAFETY ANALYSIS REPORT

PENETRATIONS - TYPE 6 AND TYPE 7

FIGURE M.2.16



SECTION A

TYPE 8: FOR INSTRUMENTATION IN DRYWELL

<p>PHILADELPHIA ELECTRIC COMPANY PEACH BOTTOM ATOMIC POWER STATION UNITS 2 AND 3 UPDATED FINAL SAFETY ANALYSIS REPORT</p>
<p>PENETRATION - TYPE 8</p>
<p>FIGURE M.2.17</p>

Security-Related Information
Figure Withheld Under 10 CFR 2.390

**PHILADELPHIA ELECTRIC COMPANY
PEACH BOTTOM ATOMIC POWER STATION
UNITS 2 AND 3
UPDATED FINAL SAFETY ANALYSIS REPORT**

DRYWELL TOP FLANGE ASSEMBLY

Figure M.2.18

Rev. 21 04/07

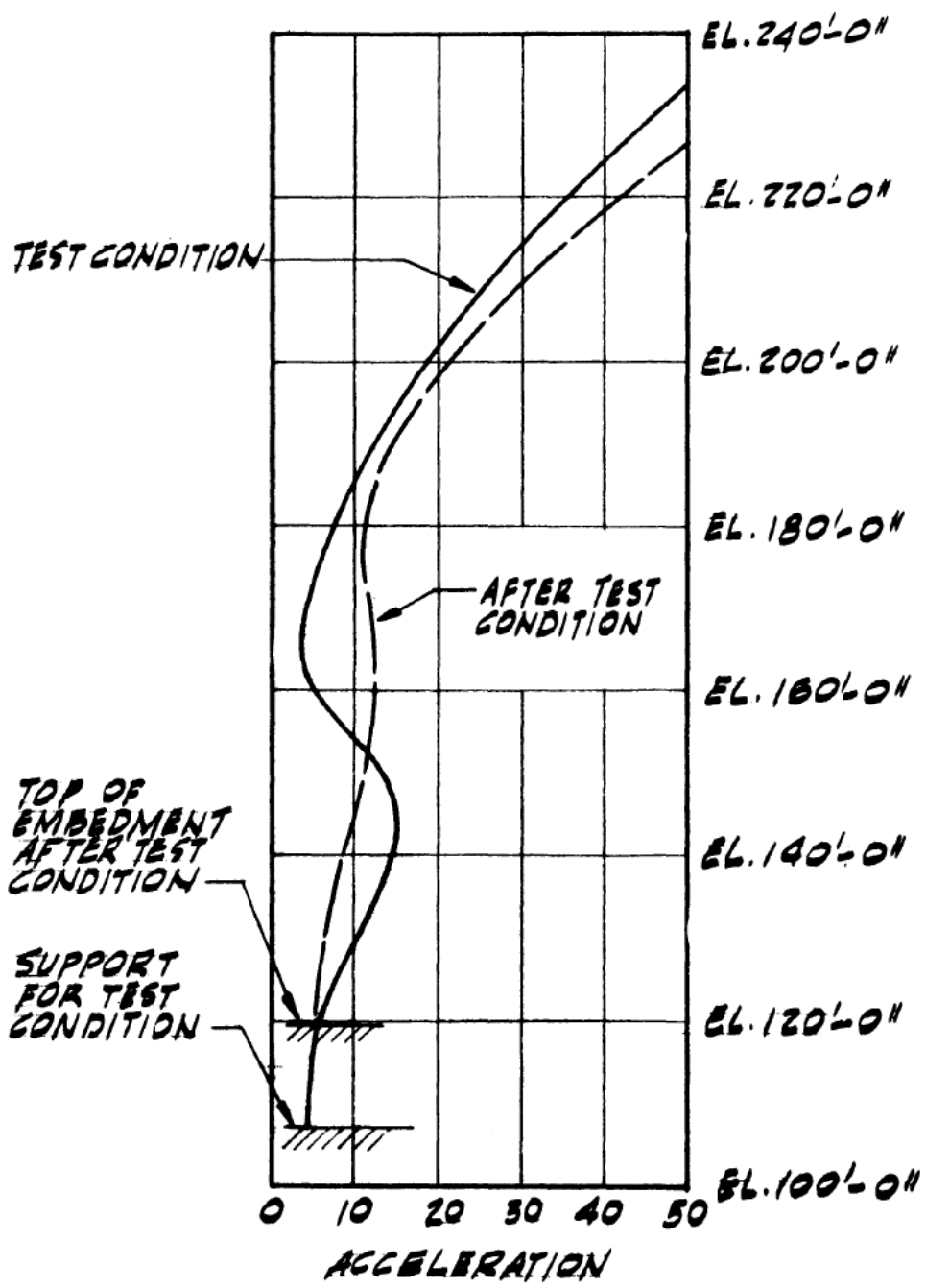
Security-Related Information
Figure Withheld Under 10 CFR 2.390

**PHILADELPHIA ELECTRIC COMPANY
PEACH BOTTOM ATOMIC POWER STATION
UNITS 2 AND 3
UPDATED FINAL SAFETY ANALYSIS REPORT**

12 FT 0 IN DIAMETER EQUIPMENT
DOOR ASSEMBLY

Figure M.2.19

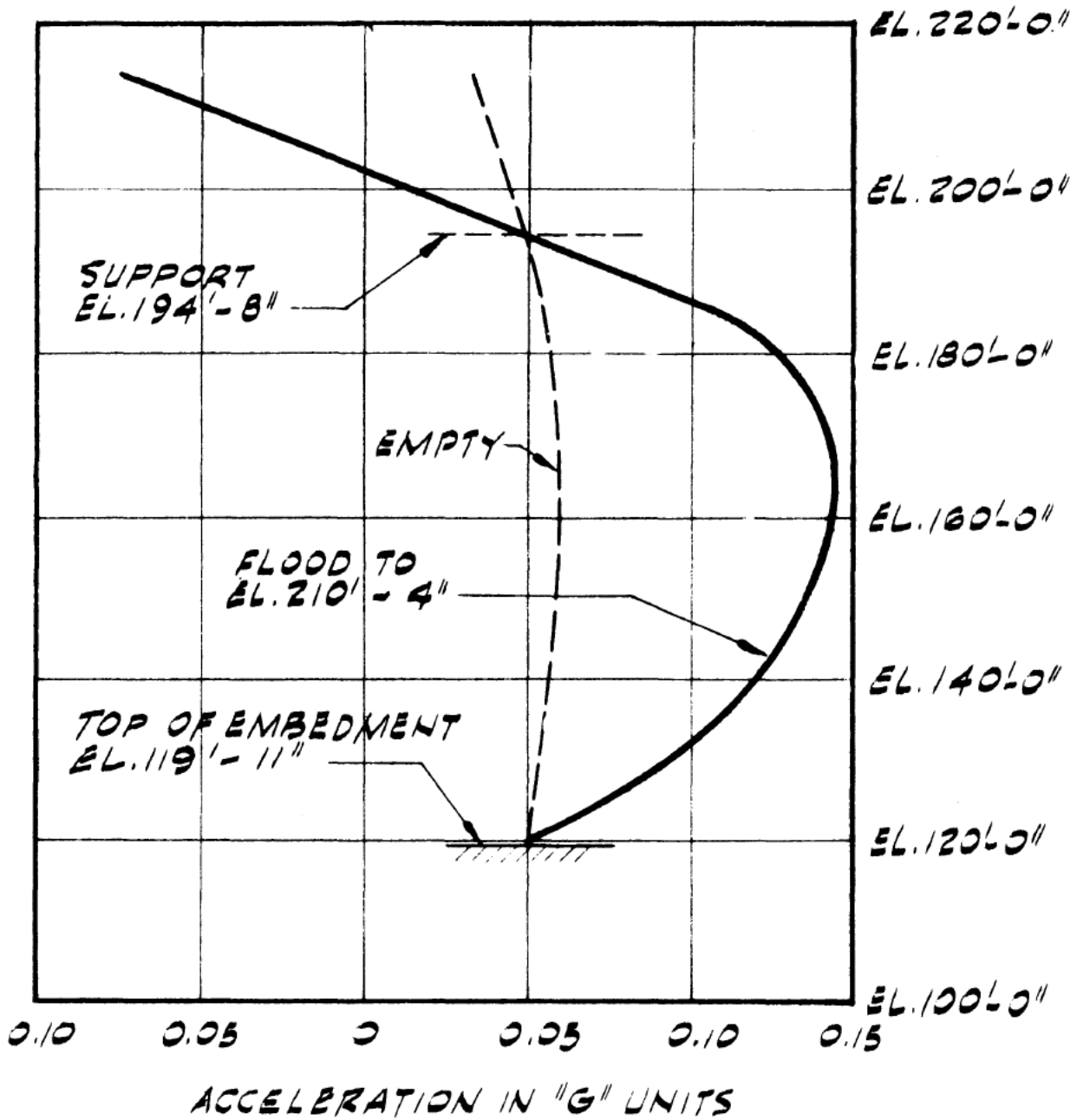
Rev. 21 04/07



PHILADELPHIA ELECTRIC COMPANY
 PEACH BOTTOM ATOMIC POWER STATION
 UNITS 2 AND 3
 UPDATED FINAL SAFETY ANALYSIS REPORT

DRYWELL ACCELERATION DIAGRAM
 CONSTRUCTION CONDITIONS

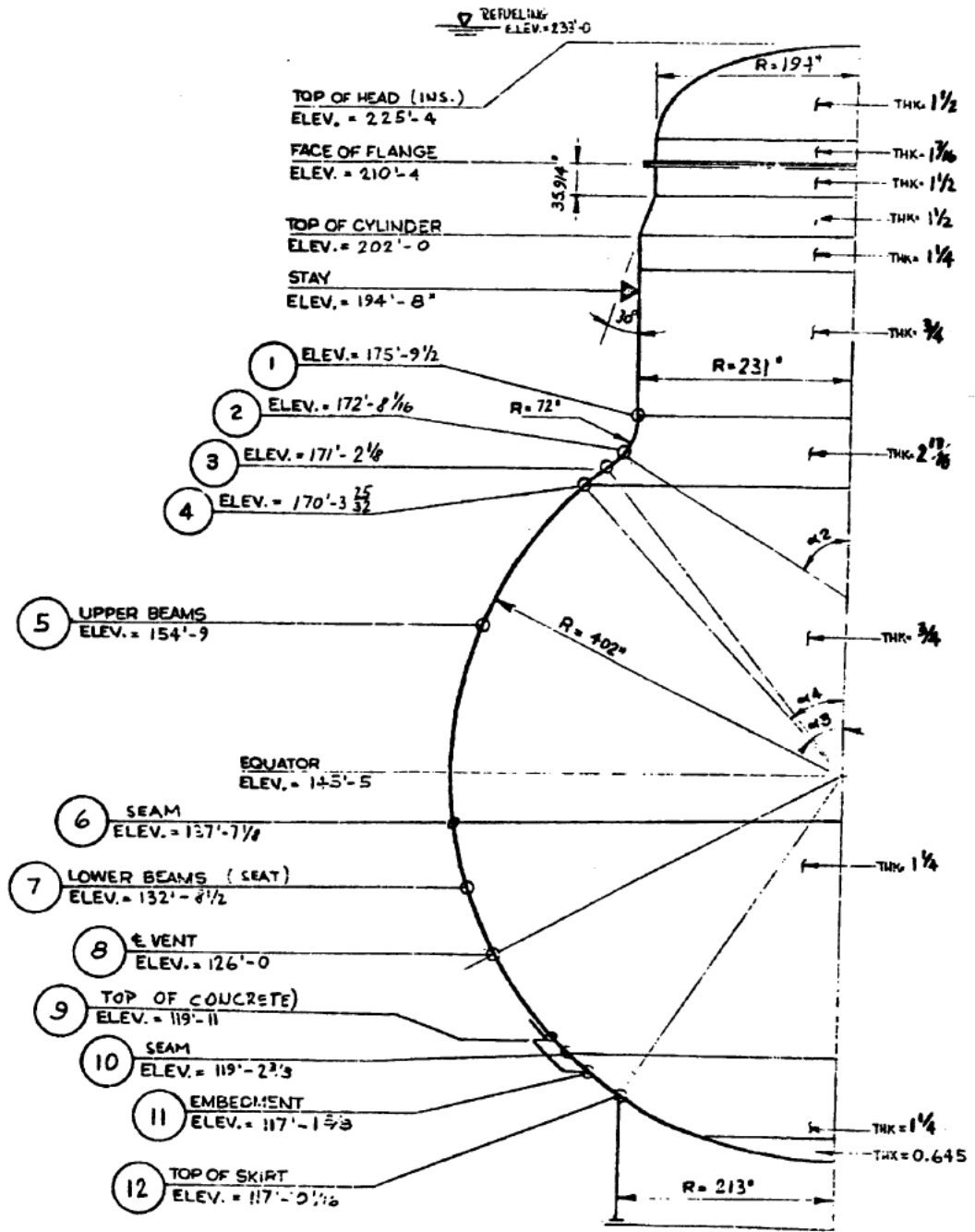
FIGURE M.3.1



PHILADELPHIA ELECTRIC COMPANY
 PEACH BOTTOM ATOMIC POWER STATION
 UNITS 2 AND 3
 UPDATED FINAL SAFETY ANALYSIS REPORT

DRYWELL ACCELERATION DIAGRAM
 OPERATING CONDITIONS

FIGURE M.3.2



PEACH BOTTOM ATOMIC POWER STATION
UNITS 2 & 3
UPDATED FINAL SAFETY ANALYSIS REPORT

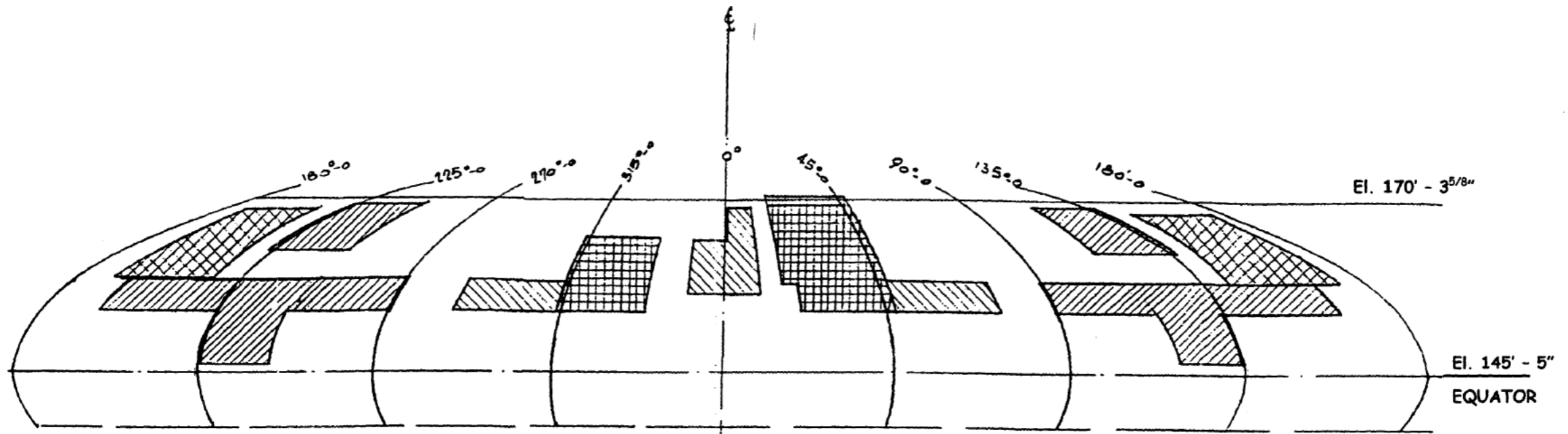
DRYWELL ELEVATIONS
FOR COMPUTER MODEL

Security-Related Information
Figure Withheld Under 10 CFR 2.390

**PHILADELPHIA ELECTRIC COMPANY
PEACH BOTTOM ATOMIC POWER STATION
UNITS 2 AND 3
UPDATED FINAL SAFETY ANALYSIS REPORT**

**DRYWELL SHELL PROTECTION
DETAILS**

FIGURE M.3.4

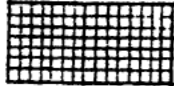


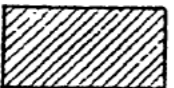


SHELL STRETCHOUT

INSIDE VIEW OF REINFORCING PLATES

SCALE 1/16" = 1'-0"

LEGEND:

	3/4" THICK PLATE		
	2 1/2	- -	- -
	1 1/2	- -	- -
	1/4	- -	- -

PEACH BOTTOM ATOMIC POWER STATION
UNITS 2 AND 3
UPDATED FINAL SAFETY ANALYSIS

DRYWELL SHELL PROTECTION
LOCATION

FIGURE M.3.5

Rev. 19 04/03