

Figure 9.2.1A thru 9.2.4a

Deleted

Figure 9.2.4c

Deleted

Security-Related Information
Figure Withheld Under 10 CFR 2.390

**PHILADELPHIA ELECTRIC COMPANY
PEACH BOTTOM ATOMIC POWER STATION
UNITS 2 AND 3
UPDATED FINAL SAFETY ANALYSIS REPORT**

**EQUIPMENT LOCATION
RADWASTE BUILDING
PLAN AT EL 150 FT 0 IN**

FIGURE 9.2.4d

Security-Related Information
Figure Withheld Under 10 CFR 2.390

**PHILADELPHIA ELECTRIC COMPANY
PEACH BOTTOM ATOMIC POWER STATION
UNITS 2 AND 3
UPDATED FINAL SAFETY ANALYSIS REPORT**

EQUIPMENT LOCATION, REACTOR &
RADWASTE BUILDING PLAN AT
EL 165 FT 0 IN

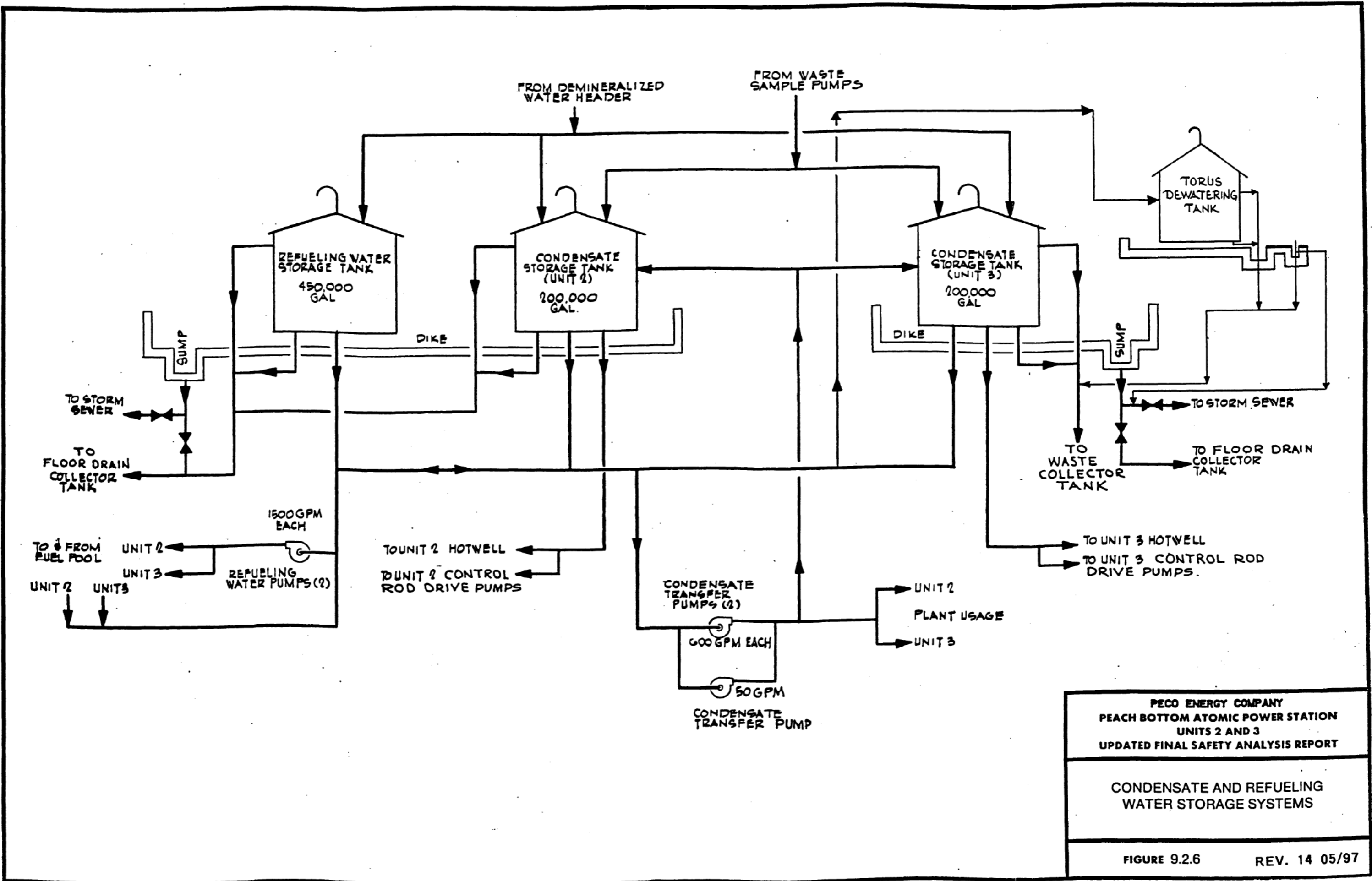
FIGURE 9.2.4e

Security-Related Information
Figure Withheld Under 10 CFR 2.390

**PECO ENERGY COMPANY
PEACH BOTTOM ATOMIC POWER STATION
UNITS 2 AND 3
UPDATED FINAL SAFETY ANALYSIS REPORT**

**SITE PLAN SHOWING PRINCIPAL
LIQUID RADIOACTIVE WASTE
FACILITIES**

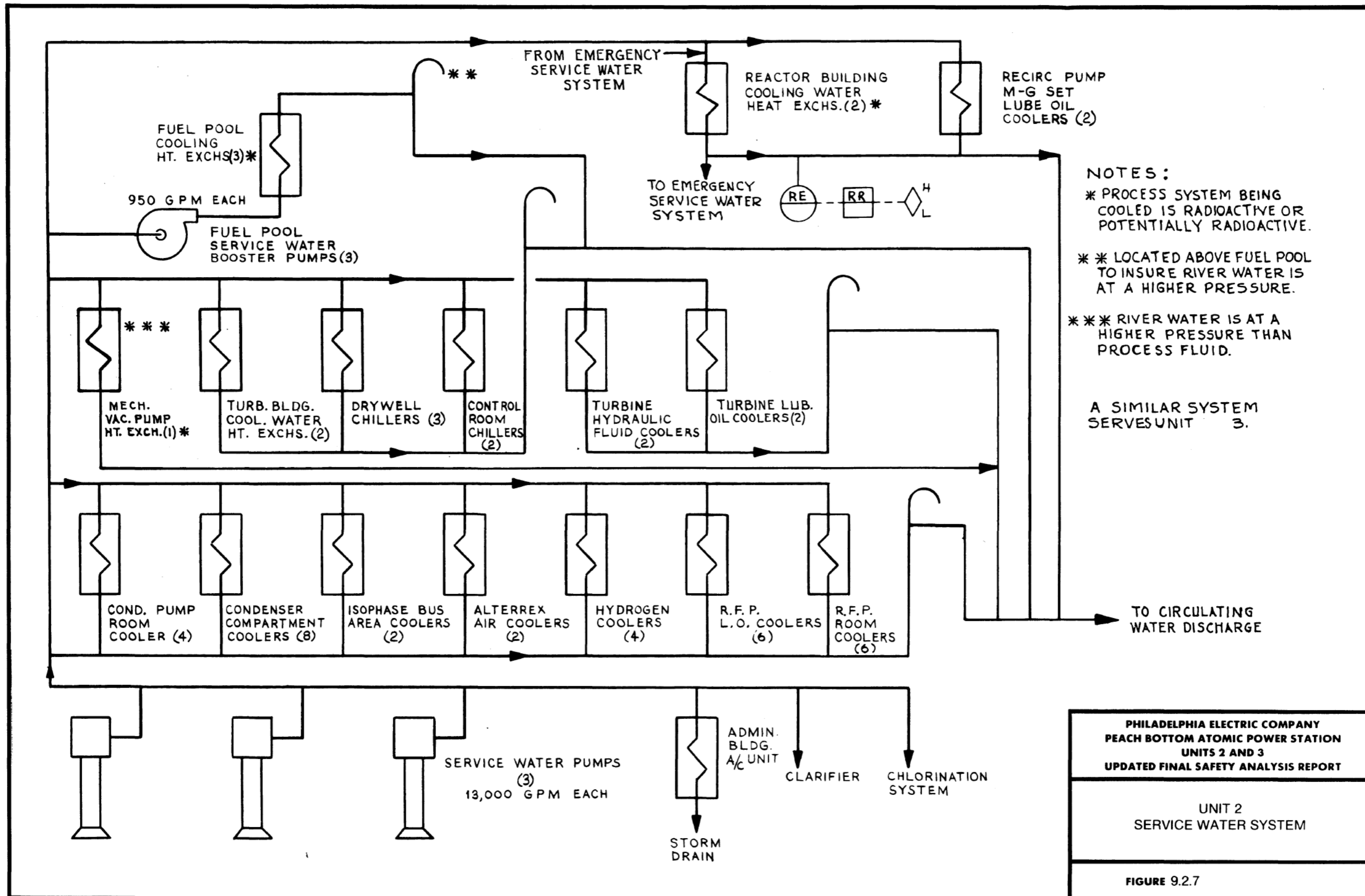
FIGURE 9.25 REV. 14 05/97



PECO ENERGY COMPANY
 PEACH BOTTOM ATOMIC POWER STATION
 UNITS 2 AND 3
 UPDATED FINAL SAFETY ANALYSIS REPORT

CONDENSATE AND REFUELING
 WATER STORAGE SYSTEMS

FIGURE 9.2.6 REV. 14 05/97



PHILADELPHIA ELECTRIC COMPANY
 PEACH BOTTOM ATOMIC POWER STATION
 UNITS 2 AND 3
 UPDATED FINAL SAFETY ANALYSIS REPORT

UNIT 2
 SERVICE WATER SYSTEM

FIGURE 9.2.7

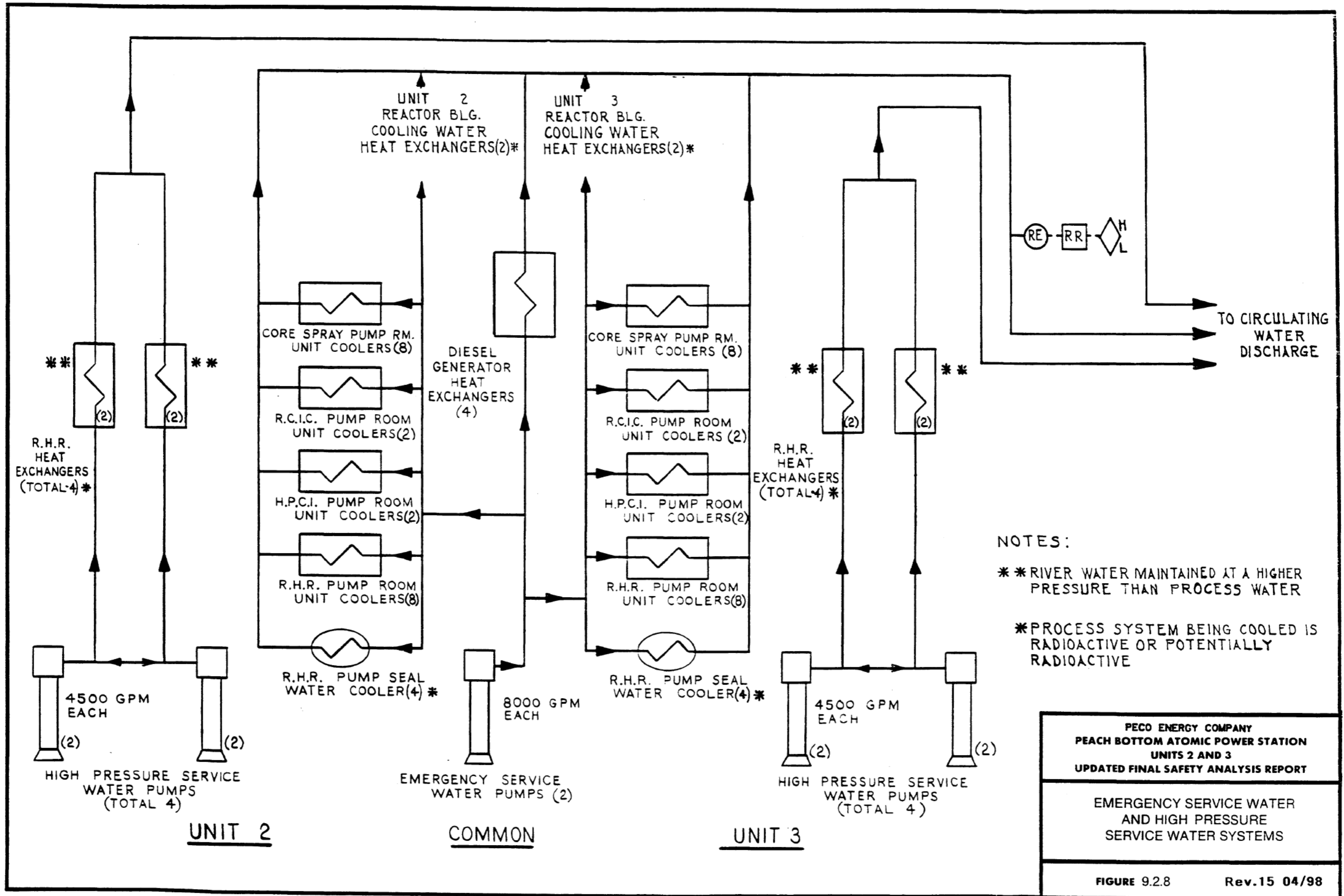


Figure 9.3.1 thru 9.3.2

Deleted

Figure 9.4.1

Deleted