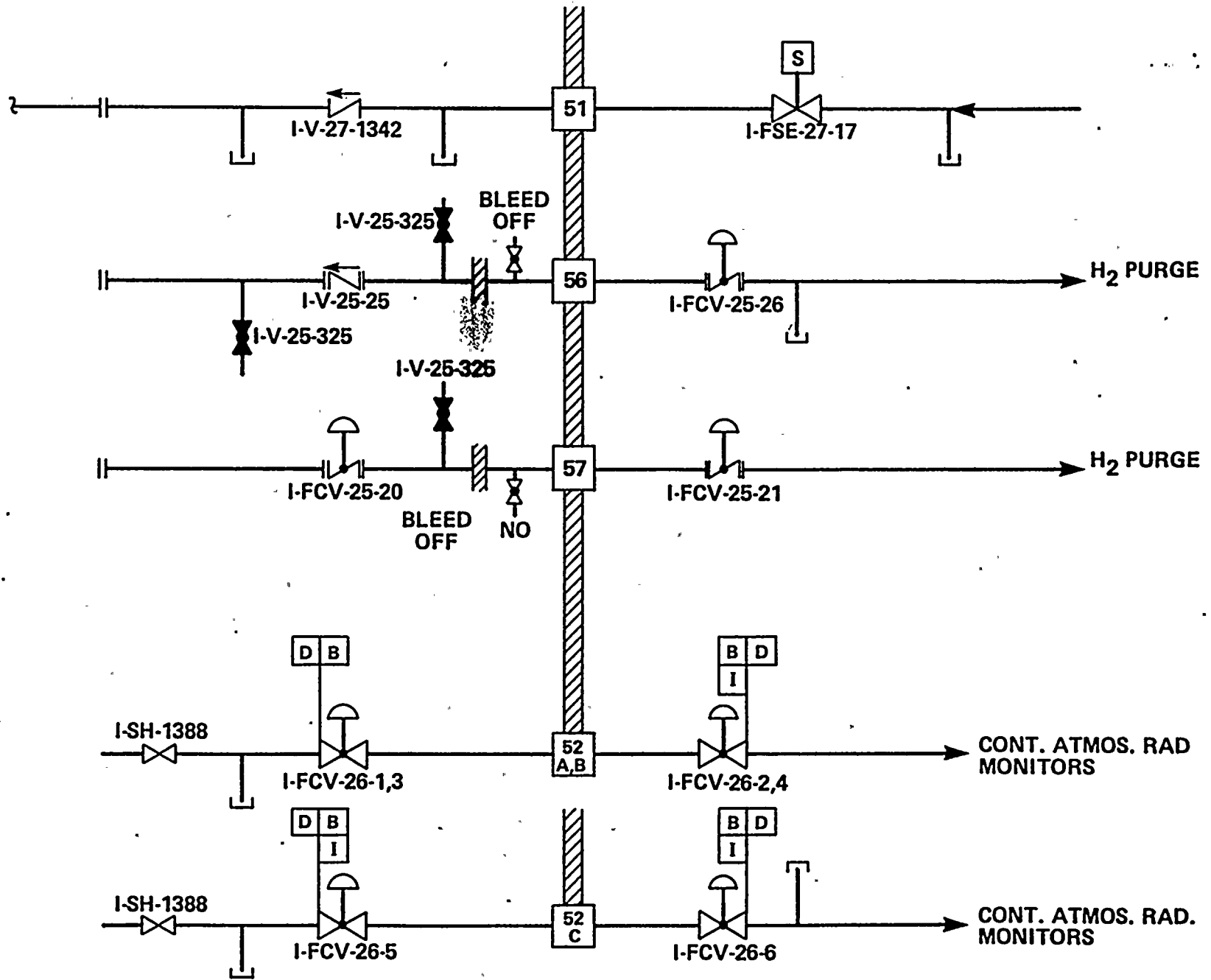


BEFORE

ATTACHMENT 1

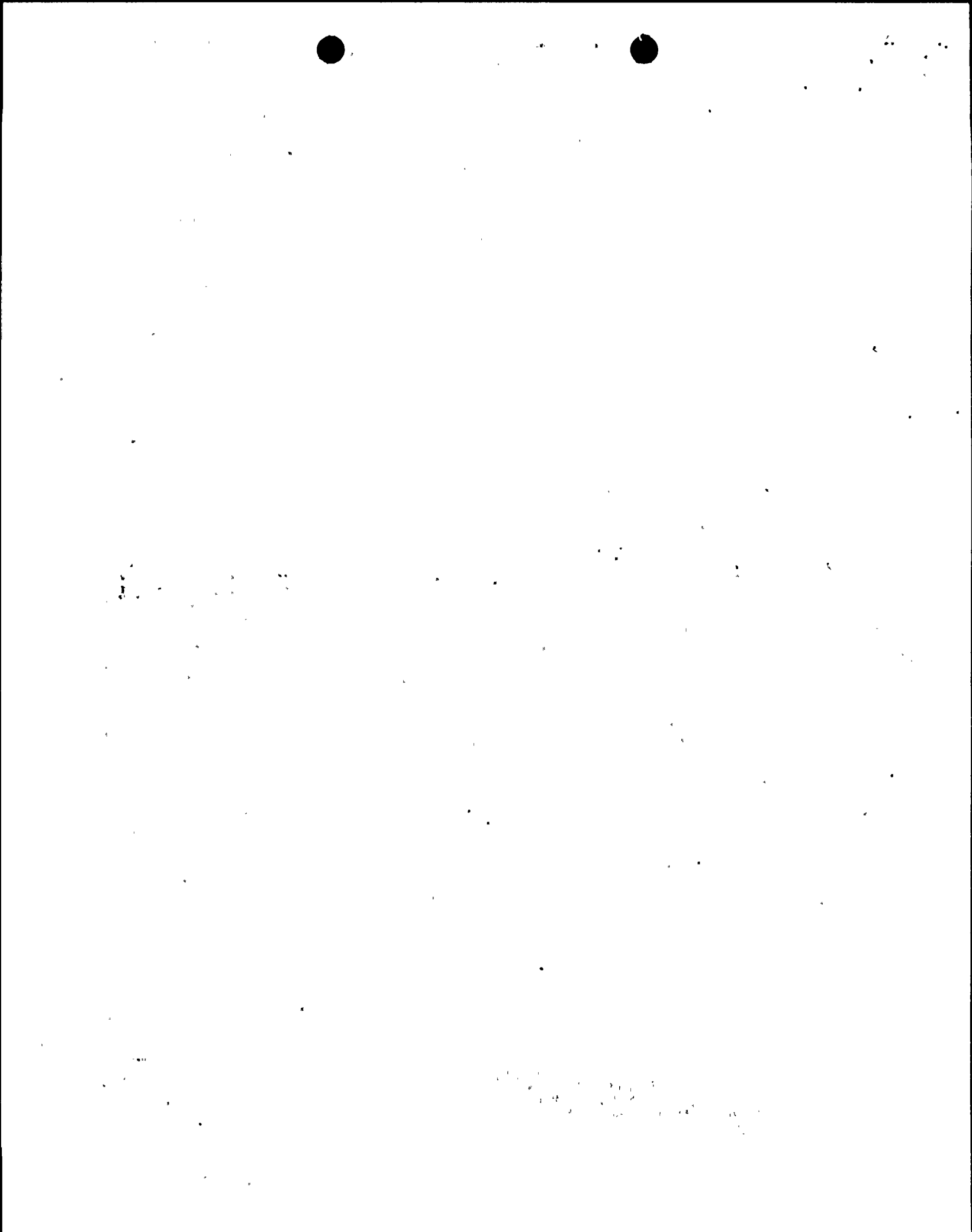
8410040254 840928
PDR ADDCK 05000389
PDR

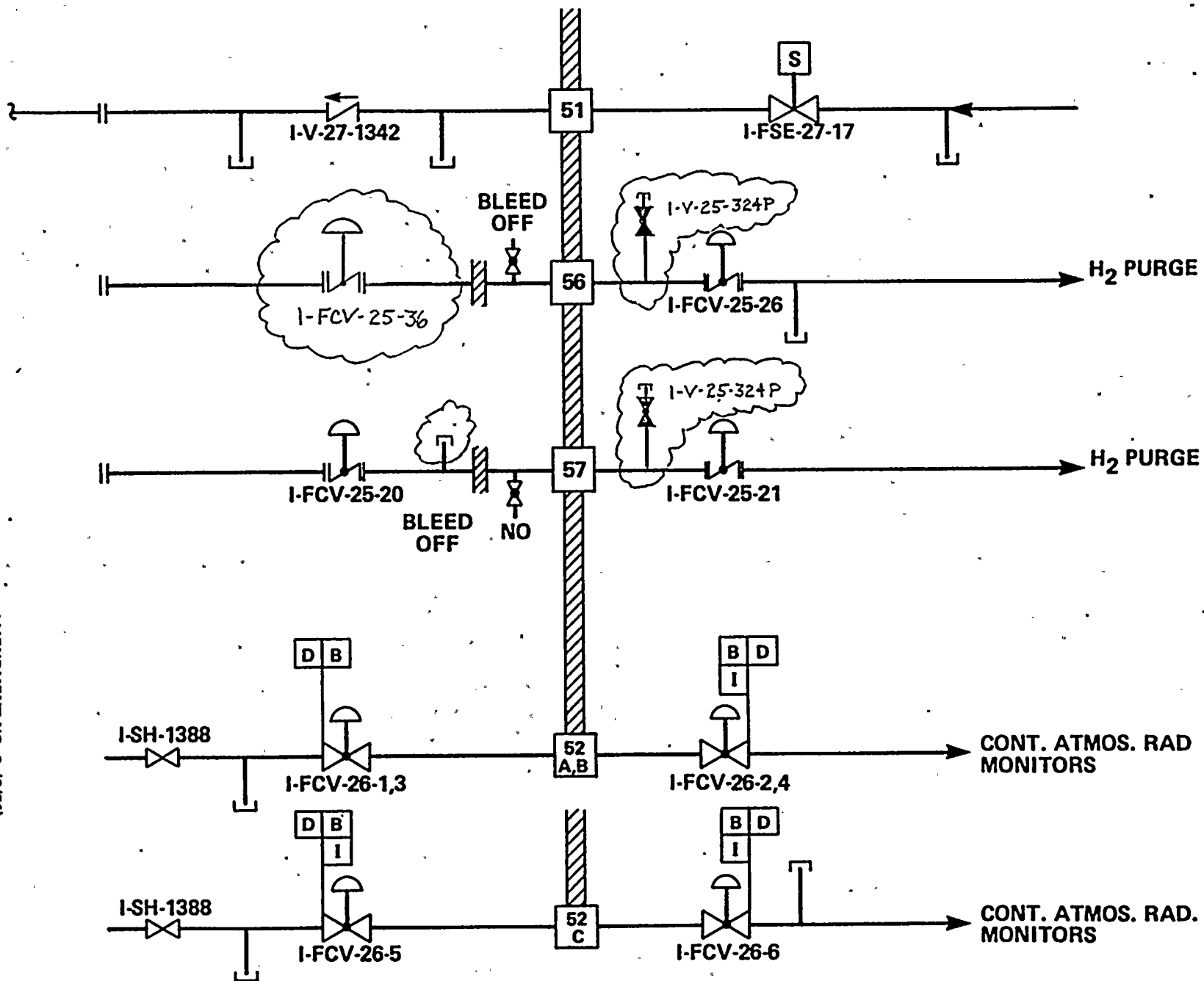


AMENDMENT NO. 6 (9/81)

FLORIDA POWER & LIGHT COMPANY
ST. LUCIE PLANT UNIT 2

CONTAINMENT ISOLATION
VALVE TESTING
SHEET 6
FIGURE 6.2-74



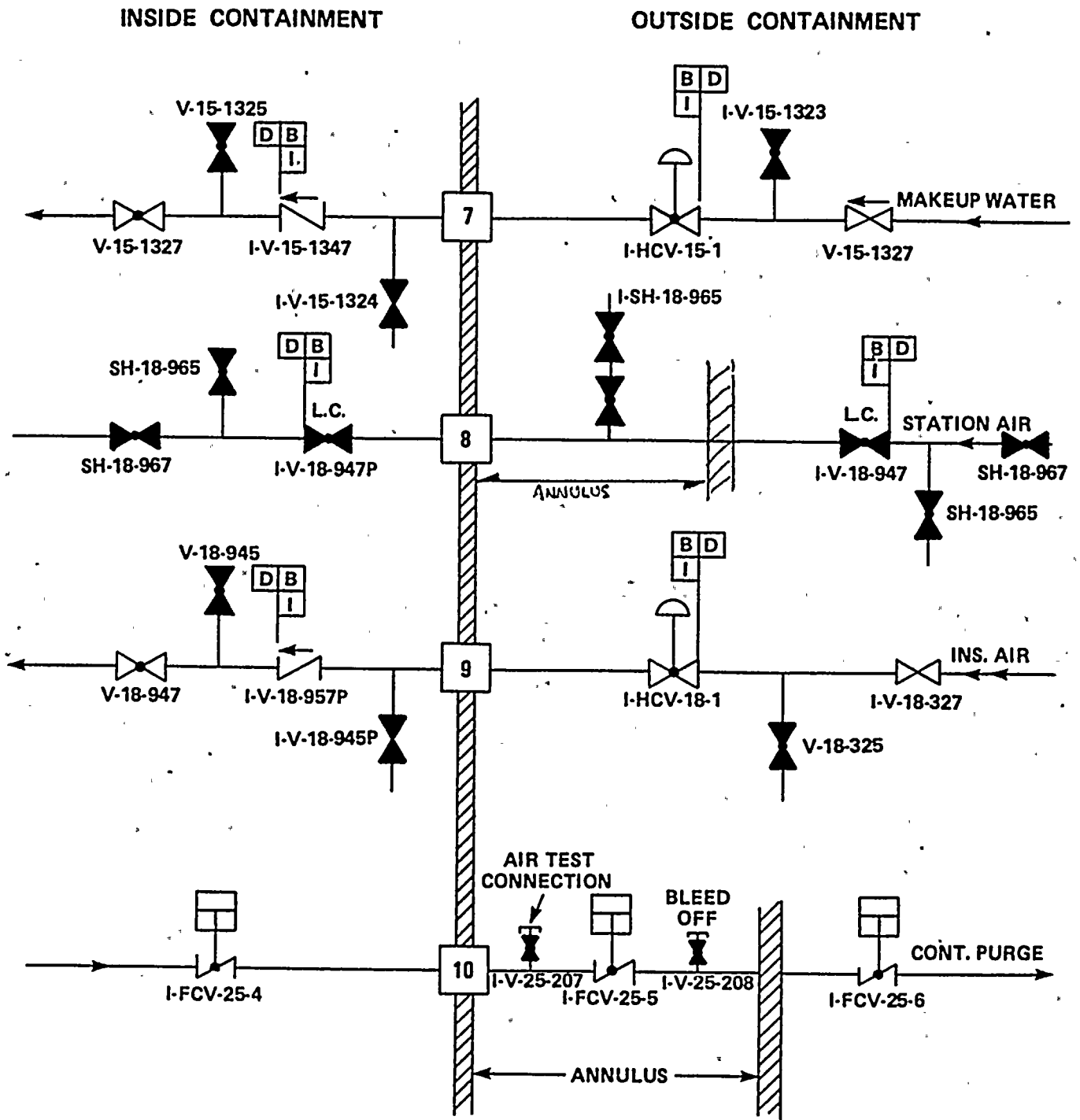


AMENDMENT NO. 6 (9/81)

FLORIDA POWER & LIGHT COMPANY
ST. LUCIE PLANT UNIT 2

CONTAINMENT ISOLATION
VALVE TESTING
SHEET 6
FIGURE 6.2-74

BEFORE PCIM 300-283
(NOTE "ERROR")

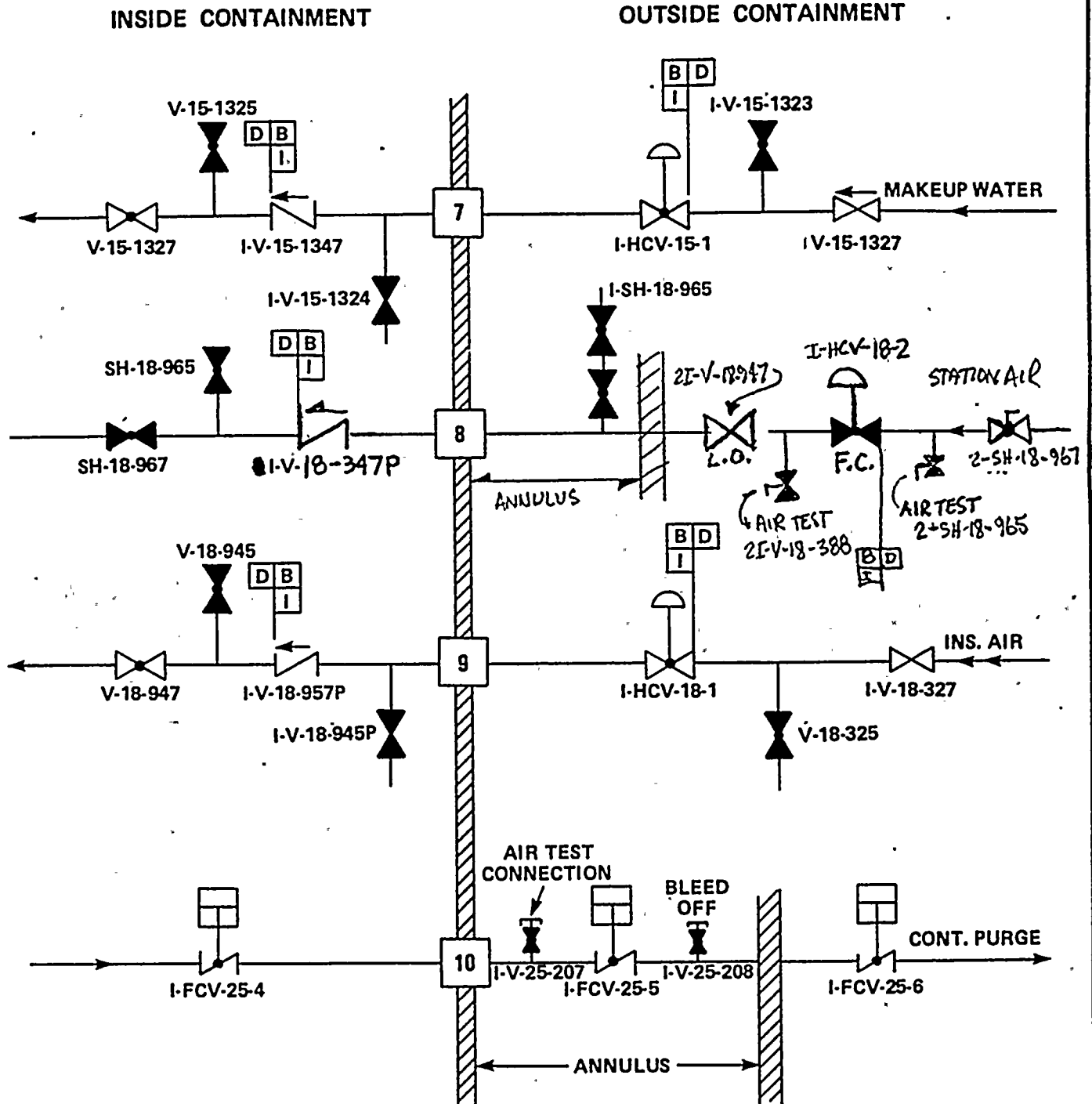


AMENDMENT NO. 14 (11/83)

FLORIDA POWER & LIGHT COMPANY
ST. LUCIE PLANT UNIT 2

CONTAINMENT ISOLATION
VALVE TESTING
FIGURE 6.2-69

AFTER PC/M 300-285



NOTE: UNIT 2 VALVES
 NORMALLY PREFIXED WITH "2" IE,
 2V-XXXXX etc.

AMENDMENT NO. 14 (11/83)

FLORIDA POWER & LIGHT COMPANY
 ST. LUCIE PLANT UNIT 2

CONTAINMENT ISOLATION
 VALVE TESTING
 FIGURE 6.2-69



TABLE 3.6-1 (Continued)

CONTAINMENT LEAKAGE PATHS

	<u>Penetration</u>	<u>System</u>	<u>Valve Tag Number/Type</u>	<u>Location to Containment</u>	<u>Service</u>	<u>Test Type*</u>
ST. LUCIE - UNIT 2	48A	Sampling	I-FSE-27-8,9,10-11 Globe I-FSE-27-15 Globe	Inside Outside	H ₂ Sampling Outlet	TYPE C
	48B	Sampling	I-V-27-101 Check I-FSE-27-16 Globe	Inside Outside	H ₂ Sampling Inlet	TYPE C
	51A	Sampling	I-FSE-27-12,13,14 Globe I-FSE-27-18 Globe	Inside Outside	H ₂ Sampling Outlet	TYPE C
	51B	Sampling	I-V-27-102 Check I-FSE-27-17 Globe	Inside Outside	H ₂ Sampling Inlet	TYPE C
3/4 6-7	52A	Sampling	I-FCV-26-1 Globe I-FCV-26-2 Globe	Inside Outside	Containment Radiation Monitoring	BYPASS TYPE C
	52B	Sampling	I-FCV-26-3 Globe I-FCV-26-4 Globe	Inside Outside	Containment Radiation Monitoring	BYPASS TYPE C
	52C	Sampling	I-FCV-26-5 Globe I-FCV-26-6 Globe	Inside Outside	Containment Radiation Monitoring	BYPASS TYPE C
	52D	ILRT	I-V-00-140 Globe I-V-00-143 Globe	Inside Outside	ILRT	BYPASS TYPE C
	52E	ILRT	I-V-00-139 Globe I-V-00-144 Globe	Inside Outside	ILRT ILRT	BYPASS TYPE C
	54	ILRT	I-V-00-101 Gate Blind Flange	Outside Inside	ILRT	BYPASS/ TYPE C
	56	Containment H ₂ Purge	I-FCV-25-26 B'FLY I-V-25-25 Check	Outside Inside	Cont. Containment H ₂ Purge Makeup Inlet	BYPASS/ TYPE C

AFTER

ATTACHMENT 5

PAGE 2 OF 8

TABLE 3.6-1 (Continued)

CONTAINMENT LEAKAGE PATHS

ST. LUCIE - UNIT 2

3/4 6-7

<u>Penetration</u>	<u>System</u>	<u>Valve Tag Number/Type</u>	<u>Location to Containment</u>	<u>Service</u>	<u>Test Type*</u>
48A	Sampling	I-FSE-27-8,9,10-11 Globe I-FSE-27-15 Globe	Inside Outside	H ₂ Sampling Outlet	TYPE C
48B	Sampling	I-V-27-101 Check I-FSE-27-16 Globe	Inside Outside	H ₂ Sampling Inlet	TYPE C
51A	Sampling	I-FSE-27-12,13,14 Globe I-FSE-27-18 Globe	Inside Outside	H ₂ Sampling Outlet	TYPE C
51B	Sampling	I-V-27-102 Check I-FSE-27-17 Globe	Inside Outside	H ₂ Sampling Inlet	TYPE C
52A	Sampling	I-FCV-26-1 Globe I-FCV-26-2 Globe	Inside Outside	Containment Radiation Monitoring	BYPASS TYPE C
52B	Sampling	I-FCV-26-3 Globe I-FCV-26-4 Globe	Inside Outside	Containment Radiation Monitoring	BYPASS TYPE C
52C	Sampling	I-FCV-26-5 Globe I-FCV-26-6 Globe	Inside Outside	Containment Radiation Monitoring	BYPASS TYPE C
52D	ILRT	I-V-00-140 Globe I-V-00-143 Globe	Inside Outside	ILRT	BYPASS TYPE C
52E	ILRT	I-V-00-139 Globe I-V-00-144 Globe	Inside Outside	ILRT ILRT	BYPASS TYPE C
54	ILRT	I-V-00-101 Gate Blind Flange	Outside Inside	ILRT	BYPASS/ TYPE C
56	Containment H ₂ Purge	I-FCV-25-26 B'FLY I-FCV-25-36 B'FLY	Outside Inside	Cont. Containment H ₂ Purge Makeup Inlet	BYPASS/ TYPE C

Before PCM 300-283

TABLE 3.6-1

CONTAINMENT LEAKAGE PATHS

ST. LUCIE - UNIT 2

3/4 6-5

<u>Penetration</u>	<u>System</u>	<u>Valve Tag Number/Type</u>	<u>Location to Containment</u>	<u>Service</u>	<u>Test Type*</u>
7	Makeup Water	I-HCV-15-1 Globe I-V-15-328 Check	Outside Inside	Primary Makeup Water	BYPASS/ TYPE C
8	Station Air	I-V-18-794 Globe I-V-18-796 Globe I-V-18-797 Globe	Outside Inside Outside	Station Air Supply	BYPASS/ TYPE C
9	Instrument Air	I-HCV-18-1 Globe I-V-18-195 Check	Outside Inside	Instrument Air Supply	BYPASS/ TYPE C
10	Containment Purge	I-FCV-25-5 B'FLY I-FCV-25-4 B'FLY	Annulus Inside	Containment Purge Exhaust	TYPE C
11	Containment Purge	I-FCV-25-2 B'FLY I-FCV-25-3 B'FLY	Annulus Inside	Containment Purge Supply	TYPE C
14	Waste Management	V-6741 Globe V-6792 Check	Outside Inside	N ₂ Supply to Safety Inj. Tanks	BYPASS/ TYPE C
23	Component Cooling	I-HCV-14-7 B'FLY I-HCV-14-1 B'FLY	Outside Inside	RC Pump Cooling Water Supply	BYPASS/ TYPE C
24	Component Cooling	I-HCV-14-6 B'FLY I-HCV-14-2 B'FLY	Outside Inside	RC Pump Cooling Water Return	BYPASS/ TYPE C
25	Fuel Transfer Tube	Double Gasket Flange	Inside	Fuel Transfer	BYPASS/ TYPE C
26	CVCS	I-V-2516 Globe I-V-2522 Globe	Inside Outside	Letdown Line	BYPASS/ TYPE C

TABLE 3.6-1

CONTAINMENT LEAKAGE PATHS

<u>Penetration</u>	<u>System</u>	<u>Valve Tag Number/Type</u>	<u>Location to Containment</u>	<u>Service</u>	<u>Test Type*</u>
7	Makeup Water	I-HCV-15-1 Globe I-V-15-328 Check	Outside Inside	Primary Makeup Water	BYPASS/ TYPE C
8	Station Air	I-HCV-18-2 Globe I-V-18-1270 Check I-V-18-797 Globe	Outside Inside Annulus	Station Air Supply	BYPASS/ TYPE C
9	Instrument Air	I-HCV-18-1 Globe I-V-18-195 Check	Outside Inside	Instrument Air Supply	BYPASS/ TYPE C
10	Containment Purge	I-FCV-25-5 B'FLY I-FCV-25-4 B'FLY	Annulus Inside	Containment Purge Exhaust	TYPE C
11	Containment Purge	I-FCV-25-2 B'FLY I-FCV-25-3 B'FLY	Annulus Inside	Containment Purge Supply	TYPE C
14	Waste Management	V-6741 Globe V-6792 Check	Outside Inside	N ₂ Supply to Safety Inj. Tanks	BYPASS/ TYPE C
23	Component Cooling	I-HCV-14-7 B'FLY I-HCV-14-1 B'FLY	Outside Inside	RC Pump Cooling Water Supply	BYPASS/ TYPE C
24	Component Cooling	I-HCV-14-6 B'FLY I-HCV-14-2 B'FLY	Outside Inside	RC Pump Cooling Water Return	BYPASS/ TYPE C
25	Fuel Transfer Tube	Double Gasket Flange	Inside	Fuel Transfer	BYPASS/ TYPE C
26	CVCS	I-V-2516 Globe I-V-2522 Globe	Inside Outside	Letdown Line	BYPASS/ TYPE C

ST. LUCIE - UNIT 2

3/4 6-5

BEFORE

ATTACHMENT 5

PAGE 5 OF 8

TABLE 3.6-2 (Continued)

CONTAINMENT ISOLATION VALVES

<u>Valve Tag Number</u>	<u>Penetration Number</u>	<u>Function</u>	<u>Testable During Plant Operation</u>	<u>Maximum Isolation Time (Sec)</u>
I-V-6718 I-V-6750	31	Containment Vent Header (CIS)	Yes	5
I-SE-03-2A,2B	41	Safety Injection Tank Test Line (CIS/SIAS)	Yes	5
I-LCV-07-11A I-LCV-07-11B	42	Reactor Cavity Sump Pump Discharge (CIS/SIAS)	Yes	5
I-V-6341 I-V-6342	43	RCDT Pump Suction (CIS)	Yes	5
I-V-2524 I-V-2505	44	RCP Controlled Bleed-off (CIS)	No	5
I-FCV-26-1 I-FCV-26-2	52A	Containment Radiation Monitoring (CIS)	Yes	10
I-FCV-26-3 I-FCV-26-4	52B	Containment Radiation Monitoring (CIS)	Yes	10
I-FCV-26-5 I-FCV-26-6	52C	Containment Radiation Monitoring (CIS)	Yes	10
I-FCV-25-26	56	Cont. Containment/H ₂ Purge Makeup Inlet (CIS)	Yes	3
I-FCV-25-20 I-FCV-25-21	57	Cont. Containment/H ₂ Purge Exhaust (CIS)	Yes	3

ST. LUCIE - UNIT 2

3/4 6-22

AFTER

ATTACHMENT 5

PAGE 6 OF 8

TABLE 3.6-2 (Continued)
CONTAINMENT ISOLATION VALVES

<u>Valve Tag Number</u>	<u>Penetration Number</u>	<u>Function</u>	<u>Testable During Plant Operation</u>	<u>Maximum Isolation Time (Sec)</u>
I-V-6718 I-V-6750	31	Containment Vent Header (CIS)	Yes	5
I-SE-03-2A,2B	41	Safety Injection Tank Test Line (CIS/SIAS)	Yes	5
I-LCV-07-11A I-LCV-07-11B	42	Reactor Cavity Sump Pump Discharge (CIS/SIAS)	Yes	5
I-V-6341 I-V-6342	43	RCDT Pump Suction (CIS)	Yes	5
I-V-2524 I-V-2505	44	RCP Controlled Bleed-off (CIS)	No	5
I-FCV-26-1 I-FCV-26-2	52A	Containment Radiation Monitoring (CIS)	Yes	10
I-FCV-26-3 I-FCV-26-4	52B	Containment Radiation Monitoring (CIS)	Yes	10
I-FCV-26-5 I-FCV-26-6	52C	Containment Radiation Monitoring (CIS)	Yes	10
I-FCV-25-26 I-FCV-25-36	56	Cont. Containment/H ₂ Purge Makeup Inlet (CIS)	Yes	3
I-FCV-25-20 I-FCV-25-21	57	Cont. Containment/H ₂ Purge Exhaust (CIS)	Yes	3

ST. LUCIE - UNIT 2

3/4 6-22

TABLE 3.6-2 (Continued)

CONTAINMENT ISOLATION VALVES

<u>Valve Tag Number</u>	<u>Penetration Number</u>	<u>Function</u>	<u>Testable During Plant Operation</u>	<u>Maximum Isolation Time (Sec)</u>
B) Manual CR Remote Manual				
I-V-18-794 I-V-18-796 I-V-18-797	8	Station Air Supply (Manual)	Yes	NA
I-V-3463	41	Safety Injection Tank Test Line (Manual)	Yes	NA
I-V-07-206 I-V-07-189	46	Fuel Pool Cleanup (Inlet) (Manual)	Yes	NA
I-V-07-170 I-V-07-188	47	Fuel Pool Cleanup (Outlet) (Manual)	Yes	NA
I-FSE-27-8,9,10, 11,15,16	48	H ₂ Sampling (Remote Manual)	Yes	NA
I-FSE-27-12,13,14, 17,18	51	H ₂ Sampling (Remote Manual)	Yes	NA
I-V-00-140 I-V-00-143	52D	ILRT (Manual)	Yes	NA
I-V-00-139 I-V-00-144	52E	ILRT (Manual)	Yes	NA
I-V-00-101	54	ILRT (Manual)	Yes	NA

ST. LUCIE - UNIT 2

3/4 6-23

TABLE 3.6-2 (Continued)
CONTAINMENT ISOLATION VALVES

<u>Valve Tag Number</u>	<u>Penetration Number</u>	<u>Function</u>	<u>Testable During Plant Operation</u>	<u>Maximum Isolation Time (Sec)</u>
B) Manual CR Remote Manual				
I-HCV-18-2 I-V-18-1270 I-V-18-797	8	Station Air Supply (Manual)	Yes	NA
I-V-3463	41	Safety Injection Tank Test Line (Manual)	Yes	NA
I-V-07-206 I-V-07-189	46	Fuel Pool Cleanup (Inlet) (Manual)	Yes	NA
I-V-07-170 I-V-07-188	47	Fuel Pool Cleanup (Outlet) (Manual)	Yes	NA
I-FSE-27-8,9,10, 11,15,16	48	H ₂ Sampling (Remote Manual)	Yes	NA
I-FSE-27-12,13,14, 17,18	51	H ₂ Sampling (Remote Manual)	Yes	NA
I-V-00-140 I-V-00-143	52D	ILRT (Manual)	Yes	NA
I-V-00-139 I-V-00-144	52E	ILRT (Manual)	Yes	NA
I-V-00-101	54	ILRT (Manual)	Yes	NA