

REGULATORY INFORMATION DISTRIBUTION SYSTEM (RIDS)

ACCESSION NBR: 8003200390 DOC. DATE: 80/03/17 NOTARIZED: YES DOCKET #
 FACIL: 50-335 St. Lucie Plant, Unit 1, Florida Power & Light Co. 05000335
 AUTH. NAME AUTHOR AFFILIATION
 URHRIG, R.E. Florida Power & Light Co.
 RECIP. NAME RECIPIENT AFFILIATION
 EISENHT, D.G. Division of Operating Reactors

SUBJECT: Forwards response to NRC 800223 ltr re LWR primary coolant sys pressure isolation valves. Instrumentation is provided to monitor pressure of low pressure side of Check Valves V-3217, V-3227, V-3237 & V-3247. Flow diagram encl.

DISTRIBUTION CODE: A001S COPIES RECEIVED: LTR 1 ENCL 1 SIZE: 5
 TITLE: General Distribution for after Issuance of Operating Lic

NOTES: _____

ACTION:	RECIPIENT	COPIES		RECIPIENT	COPIES	
	ID CODE/NAME	LTR	ENCL		ID CODE/NAME	LTR
	05 BC ORBT#4	7	7			
INTERNAL:	<u>01 REG FILE</u>	1	1	02 NRC PDR	1	1
	12 I&E	2	2	15 CORE PERF BR	1	1
	17 ENGR BR	1	1	18 REAC SFTY BR	1	1
	19 PLANT SYS BR	1	1	20 EEB	1	1
	21 EFLT TRT SYS	1	1	EPB-DOR	1	1
	OELD	1	0	STS GROUP LEADR	1	1
EXTERNAL:	03 LPDR	1	1	04 NSIC	1	1
	23 ACRS	16	16			

ADD: LTR ENCL
 P. POLK 1 1
 E. Butcher 1 1

MAR 24 1980

TOTAL NUMBER OF COPIES REQUIRED: LTR

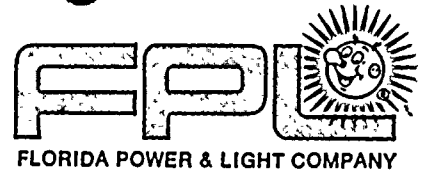
40
38 ENCL 39
31

BD

11/11/73

11/11/73
11/11/73
11/11/73

11/11/73



March 17, 1980
L-80-85

Office of Nuclear Reactor Regulation
Attention: Mr. Darrell G. Eisenhut, Acting Director
Division of Operating Reactors
U. S. Nuclear Regulatory Commission
Washington, D. C. 20555

Dear Mr. Eisenhut:

Re: ST. LUCIE UNIT 1
DOCKET NO. 50-335
RCS PRESSURE ISOLATION

The attached information is submitted in response to your letter of February 23, 1980 on the subject of LWR primary coolant system pressure isolation valves.

Very truly yours,

Robert E. Uhrig
Vice President
Advanced Systems & Technology

REU/MAS/GG/VTC/pa

Attachment

cc: J. P. O'Reilly, Region II
Harold Reis, Esquire

A001
S
//
ADD: 42 ENC
P. Polk 1 1
E. Butcher 1 1

P

ATTACHMENT

Re: ST. LUCIE UNIT 1
DOCKET NO. 50-335
RCS PRESSURE ISOLATION

NRC REQUEST 1

Describe the valve configuration at your plant and indicate if an Event V isolation valve configuration exists within the Class I boundary of the high pressure piping connecting PCS (Primary Coolant System) piping to low pressure system piping; e.g., (1) two check valves in series, or (2) two check valves in series with a MOV.

FPL RESPONSE

Attached is a simplified flow diagram showing the isolation valve configurations identified as Event V arrangements for St. Lucie Unit 1.

NRC REQUEST 2

If either of the above Event V configurations exist at your facility, indicate whether continuous surveillance or periodic tests are being accomplished on such valves to ensure integrity. Also indicate whether valves have been known, or found, to lack integrity.

FPL RESPONSE

Instrumentation is provided to monitor the pressure on the low pressure side of check valve nos. V-3217, V-3227, V-3237, & V-3247. An alarm is received in the Control Room when the pressure upstream of the check valves exceeds the alarm set point. No other surveillance tests to assess the integrity of the other check valves identified as Event V arrangements are currently being performed.

Review of St. Lucie Unit 1 operating records has not shown problems with the subject check valves.

NRC REQUEST 3

If either of the above Event V configurations exist at your facility, indicate whether plant procedures should be revised or if plant modifications should be made to increase reliability.



FPL RESPONSE

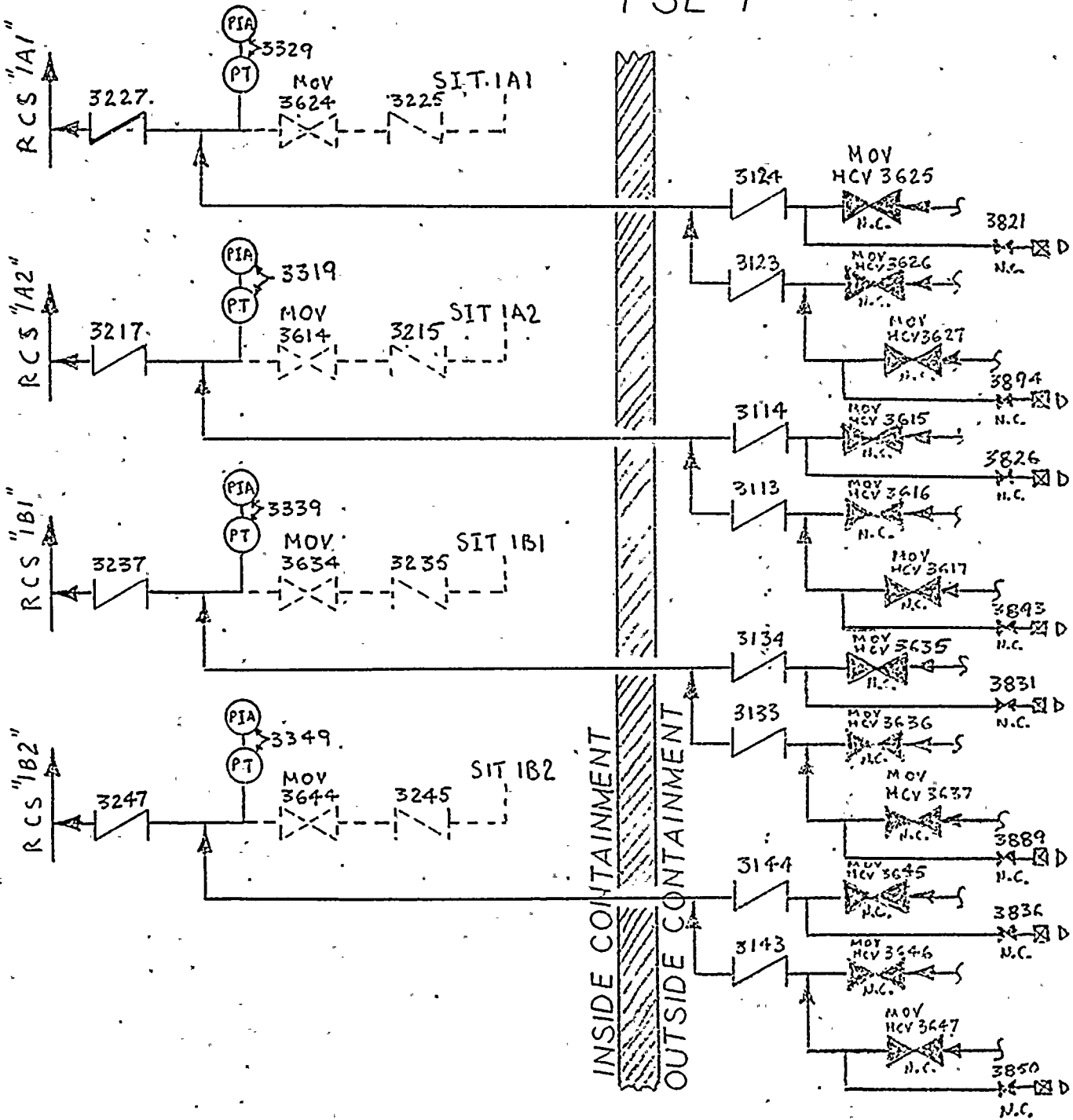
Procedures will be reviewed and revised as required to provide for continuous monitoring on the low pressure side of check valve nos. V-3217, V-3227, V-3237, and V-3247 using the installed instrumentation.

Procedures will be revised during the current refueling outage to provide for periodic surveillance testing for check valve nos.:

- V-3113 & V-3114
- V-3123 & V-3124
- V-3133 & V-3134
- V-3143 & V-3144

The tests will be performed to assess check valve integrity following cold shutdown or refueling shutdown.

PSL 1

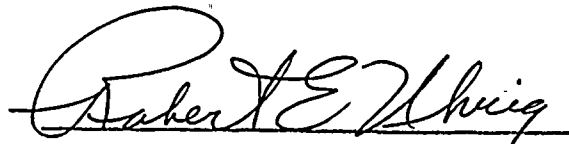


STATE OF FLORIDA)
)
COUNTY OF DADE) ss.

Robert E. Uhrig, being first duly sworn, deposes and says:

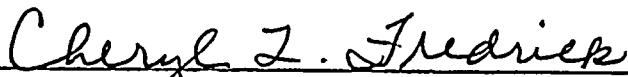
That he is a Vice President of Florida Power & Light Company,
the Licensee herein;

That he has executed the foregoing document; that the state-
ments made in this said document are true and correct to the
best of his knowledge, information, and belief, and that he
is authorized to execute the document on behalf of said
Licensee.


Robert E. Uhrig

Subscribed and sworn to before me this

17 day of March, 1980


NOTARY PUBLIC, in and for the county of Dade,
State of Florida

My commission expires: Notary Public, State of Florida at Large
My Commission Expires October 30, 1983
Bonded thru Maynard Bonding Agency



1
2
3

RECEIVED
FEB 11 1964
U.S. DEPARTMENT OF AGRICULTURE
WASHINGTON, D.C.