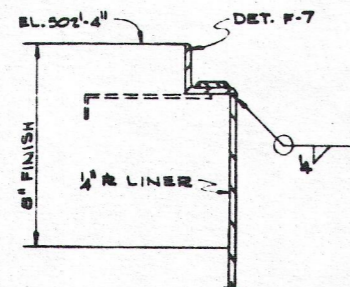
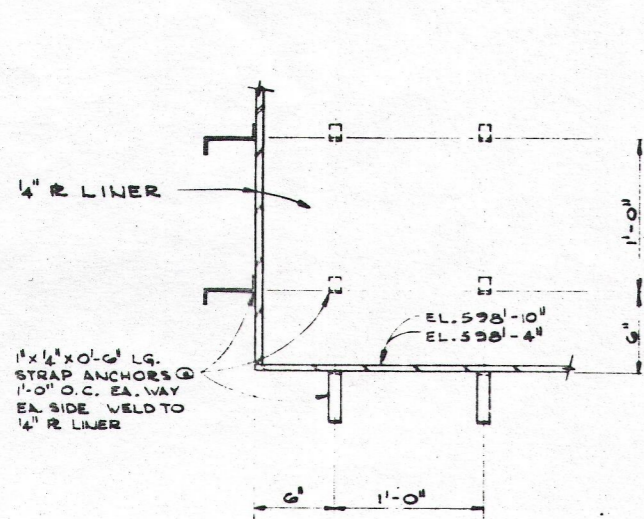


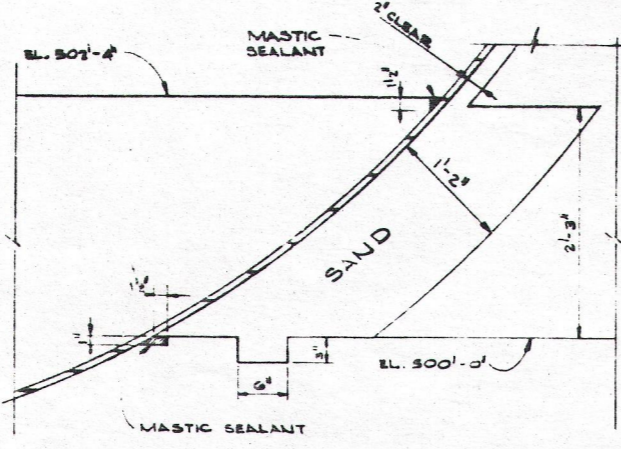
DETAIL-F
SCALE: 3/4"=1'-0"



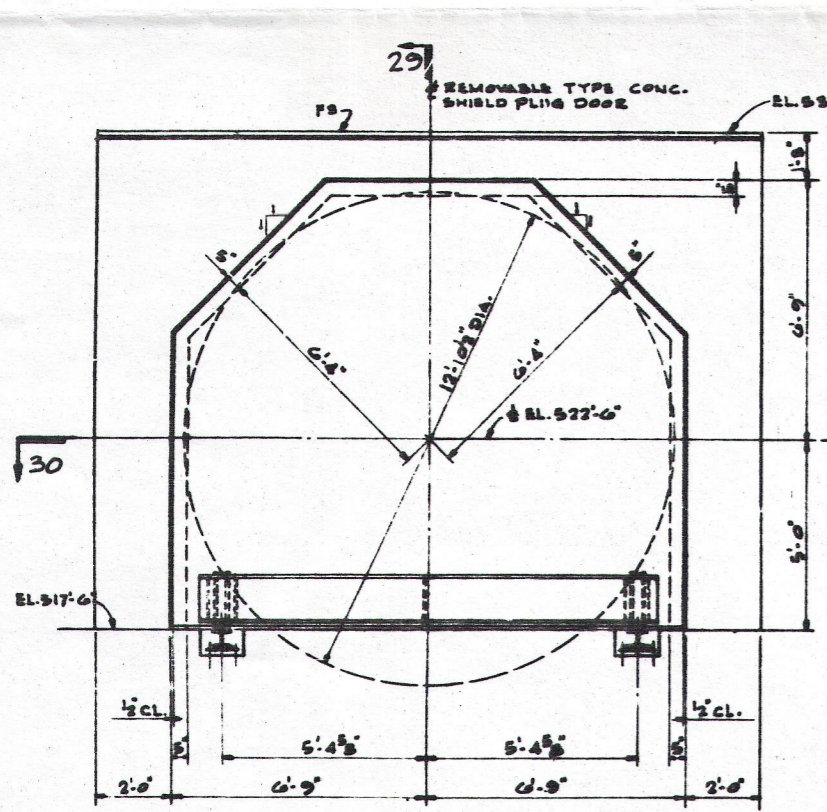
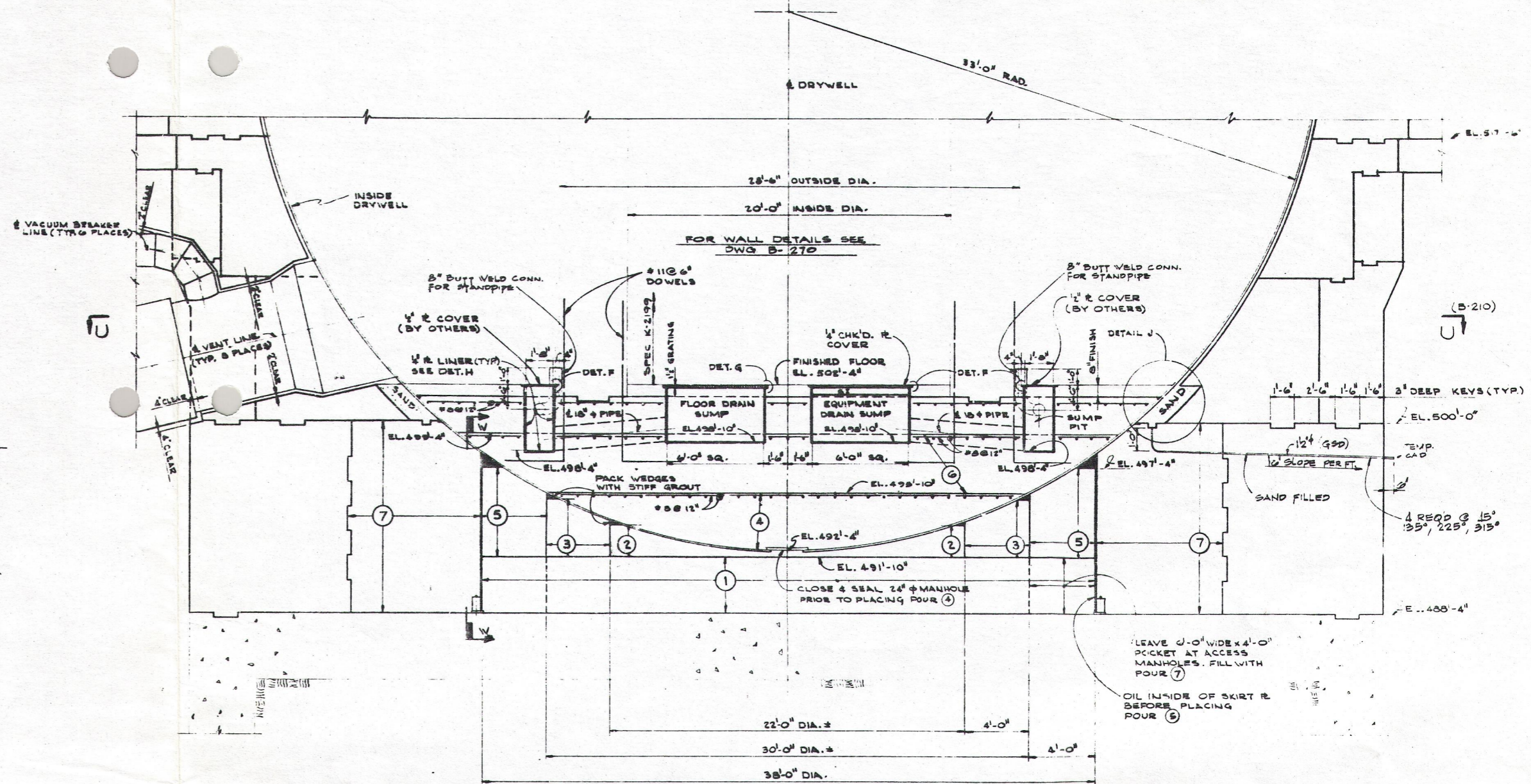
DETAIL-G
SCALE: 3/4"=1'-0"



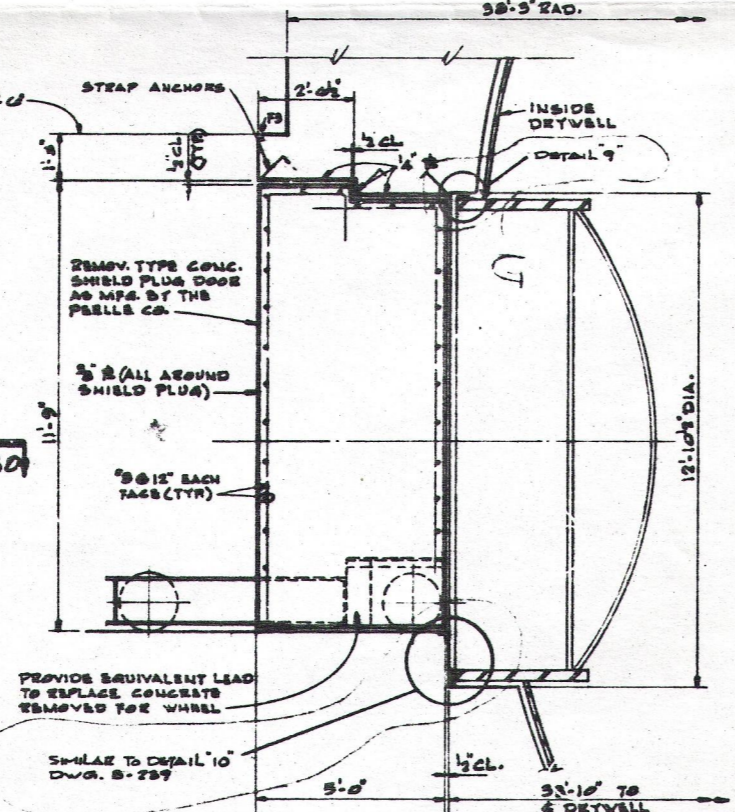
DETAIL-H
SCALE: 3/4"=1'-0"



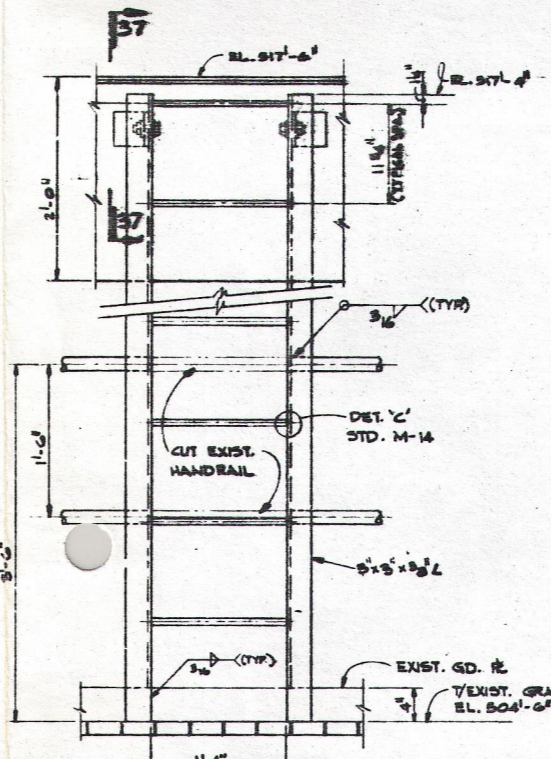
DETAIL-J
SCALE: 3/4"=1'-0"



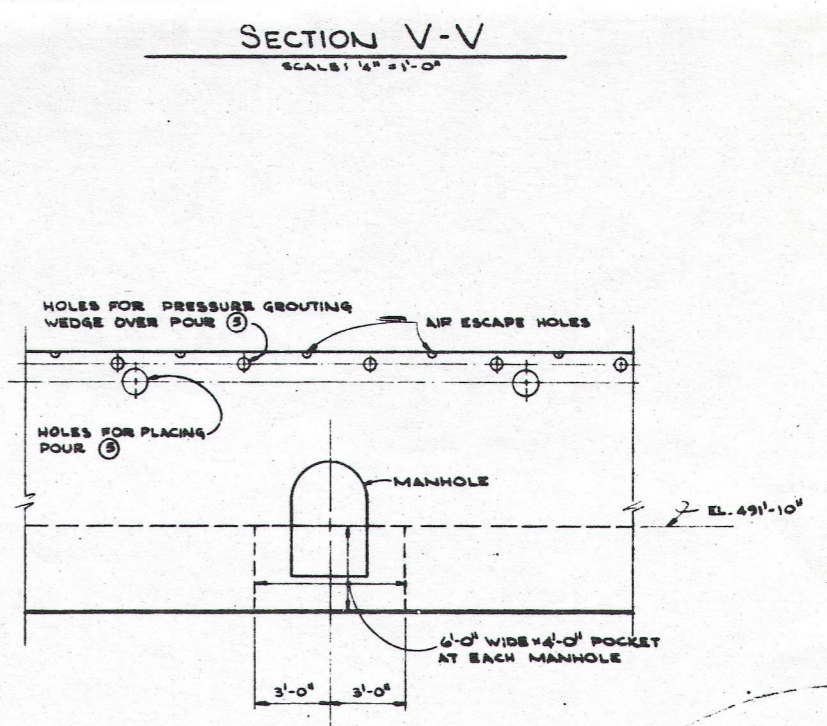
SECTION 28-28
SCALE: 3/4"=1'-0"



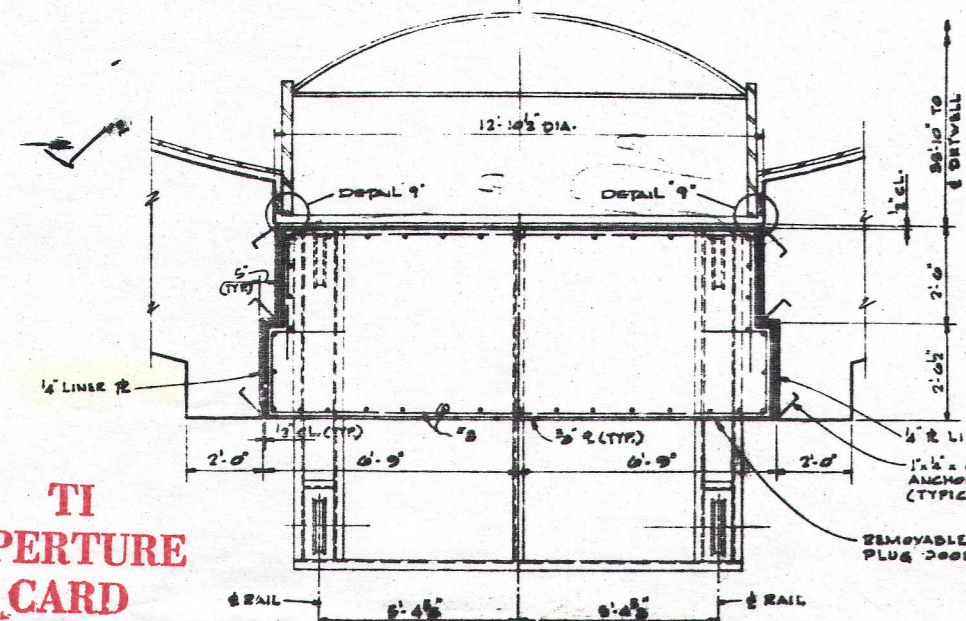
SECTION 29-29
SCALE: 3/4"=1'-0"



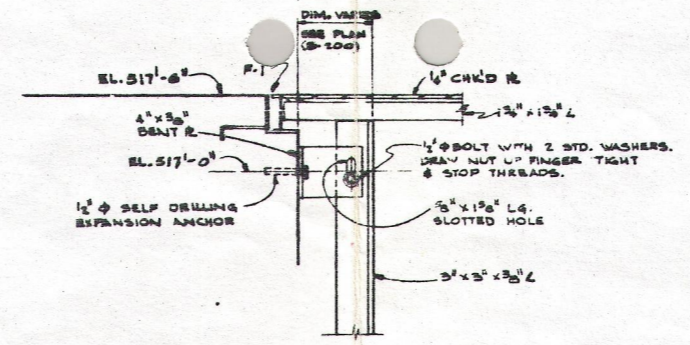
DETAIL 6
SCALE: 1"=1'-0"



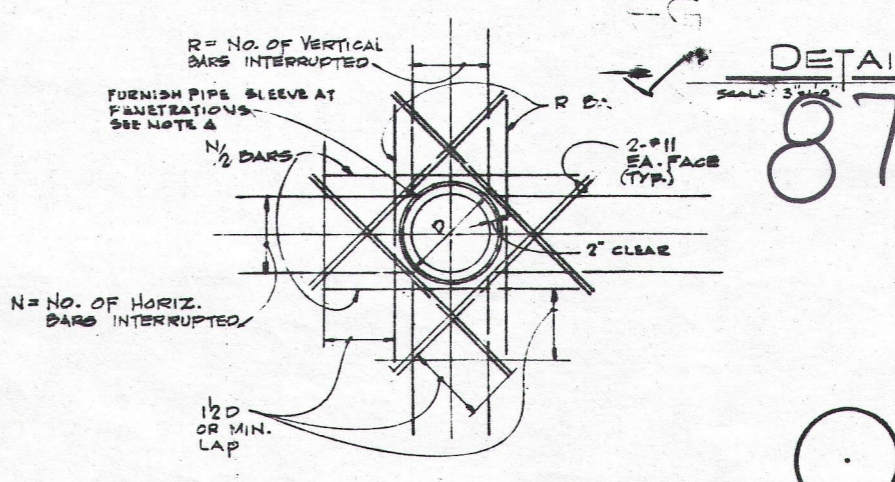
SECTION W-W
SCALE: 1/4"=1'-0"



SECTION 30-30
SCALE: 3/4"=1'-0"



SECTION 37-37
SCALE: 3/4"=1'-0"



TYPICAL DETAIL AT PENETRATION
FOR ALL PENETRATIONS 30" DIA. AND SMALLER
FOR SIZE & LOCATION SEE DWG. B-24

- 1. DESIGNATES CONCRETE POUR NO.
- 2. MINIMUM OF 24 HOURS SHOULD BE MAINTAINED BETWEEN SUCCESSIVE POURS.
- 3. PLACE CONCRETE IN POUR (2) THEN THE MANHOLES IN THE BOTTOM OF THE DRYWELL.
- 4. CONCRETE SHALL BE FREQUENTLY VIBRATED TO INSURE INTIMATE CONTACT WITH DETWELL CONCRETE IN POURS (2) & (3) SHALL OVERFLOW THE TEMPORARY FORMS IN A CONTINUOUS MANNER.

- NOTES
- FOR GENERAL NOTES SEE DWG. B-200.
 - ALL WORK ON THIS DWG. BELOW EL. 517'-0" UNLESS NOTED SHALL BE IN ACCORDANCE WITH JOB SPEC. K-2187.
 - ALL WORK ON THIS DRAWING ABOVE EL. 517'-0" UNLESS NOTED SHALL BE IN ACCORDANCE WITH JOB SPEC. K-2199.
 - PIPE SLEEVES EMBEDDED IN CONCRETE AT PENETRATIONS SHALL BE FURNISHED & INSTALLED BY SUB-CONTRACTOR AS PART OF JOB SPECIFICATIONS K-2187 & K-2199 UNLESS NOTED. FOR SLEEVE DETAIL & PIPE SCHEDULES SEE DETAIL B-270-17A2.

REFERENCE DRAWINGS

- B-200 REACTOR BUILDING FRAMING PLAN EL. 517'-0" SOUTH AREA.
- B-217 REACTOR BUILDING FRAMING PLAN EL. 517'-0" NORTH AREA.

FOR INFORMATION ONLY

8705150400

REACTOR BUILDING FRAMING SECTIONS & DETAILS SHEET 2

DRESDEN NUCLEAR POWER STATION UNIT 2 GENERAL ELECTRIC CO. CHICAGO, ILLINOIS

COMMONWEALTH EDISON CO. CHICAGO, ILLINOIS

SARGENT & LUNDY INCORPORATED ENGINEERS CHICAGO

SCALE AS NOTED DRAWN A.C. Bonnell 0-12-66 CHECKED R.J. Small 0-29-66

NO.	DATE	BY	DESCRIPTION
1	0-12-66	A.C. Bonnell	As Issued
2	0-29-66	R.J. Small	Revised
3	0-29-66	R.J. Small	Revised
4	0-29-66	R.J. Small	Revised
5	0-29-66	R.J. Small	Revised
6	0-29-66	R.J. Small	Revised
7	0-29-66	R.J. Small	Revised
8	0-29-66	R.J. Small	Revised
9	0-29-66	R.J. Small	Revised
10	0-29-66	R.J. Small	Revised

JOB NO. 3447