

- APRM REF ELEM DNGS:
- P53 P51-P54 HIGH VOLTAGE P6 117C1923
 - B11-B24 LPRM CARD 919D147
 - B25 CALIBRATOR 134B1304
 - B30 AVERAGING CARD 134B1307
 - A83 B31 AUXILIARY UNIT 117C1926
 - B32 DC AMPLIFIER 107C4818
 - B33 FLOW CONT TRIP REF 117C3357
 - B34 TRIP REFERENCE 134B1310
 - B35 QUAD TRIP 919D146
 - B2 INDICATOR PANEL 117C1546

RELAY TABULATION FOR P53

	0-0-0-0	0-0-0-1	0-0-1-0	0-1-0-0
APRM HI-HI	K7		SP	SP
APRM HIGH	K1	# K4 (SH 10)		# RPS (SH 15)
APRM DNSCL	K2	# K5 (SH 10)	SP	SP
APRM INOP	K9	SP	SP	
LPRM UPSCL	K3	# K6 (SH 10)		# RPS (SH 15)
LPRM DNSCL	K4	SP	SP	# RPS (SH 15)
	K8	# K11 (SH 10)		
	K13	# ANN (SH 16)		
	K15	# ANN (SH 16)		

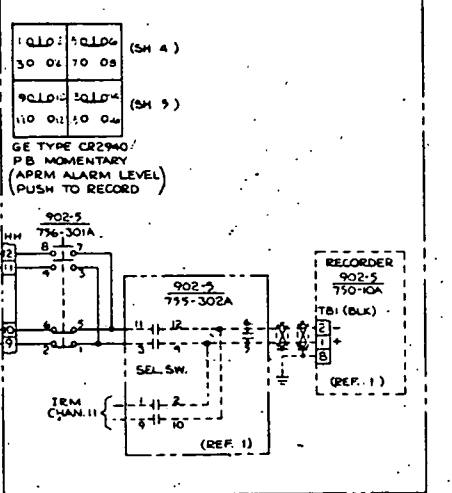
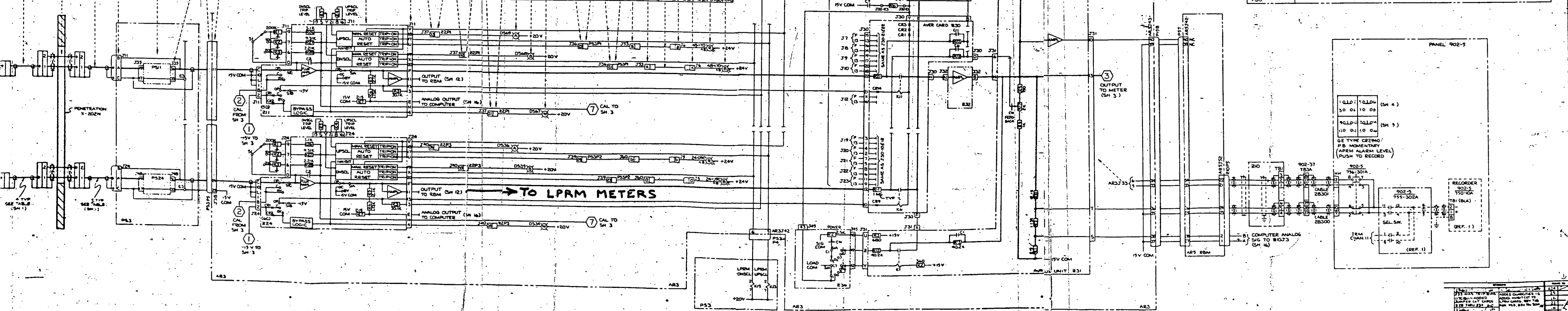
= INTLK

DETECTOR POSITIONS

12-498
16-338
48-338
27192
27640
18-498
48-498
32-330
16-170
48-170
24-57A
08-41A
40-41A
24-23A
54-25A
40-29A
40-37C
24-41C
54-41C
08-25C
40-25C
24-09C

PANEL 902-37

CABLE DESIGNATIONS	P53 HIGH VOLTAGE PWR SUP	P51	P53	AR3	LPRM CARDS	CONV NO	AR3	B2	AR3	B2	AR3	P53	AR3	P53	P53	CABLE	PANEL 902-3	
21728	28	27129	J2	P51	J25	P51	J26	P53	J27	P53	J28	P53	J29	P53	J30	P53	J31	P53
27174	28	27177	J2	P52	J25	P52	J26	P53	J27	P53	J28	P53	J29	P53	J30	P53	J31	P53
27192	24	27193	J3	P53	J27	P53	J28	P53	J29	P53	J30	P53	J31	P53	J32	P53	J33	P53
27640	22	27641	J4	P54	J28	P54	J29	P54	J30	P54	J31	P54	J32	P54	J33	P54	J34	P54
				(UNUSED POSITION)	J29		J30		J31		J32		J33		J34		J35	
				(UNUSED POSITION)	J30		J31		J32		J33		J34		J35		J36	
				(UNUSED POSITION)	J31		J32		J33		J34		J35		J36		J37	
				(UNUSED POSITION)	J32		J33		J34		J35		J36		J37		J38	
				(UNUSED POSITION)	J33		J34		J35		J36		J37		J38		J39	
				(UNUSED POSITION)	J34		J35		J36		J37		J38		J39		J40	
				(UNUSED POSITION)	J35		J36		J37		J38		J39		J40		J41	
				(UNUSED POSITION)	J36		J37		J38		J39		J40		J41		J42	
				(UNUSED POSITION)	J37		J38		J39		J40		J41		J42		J43	
				(UNUSED POSITION)	J38		J39		J40		J41		J42		J43		J44	
				(UNUSED POSITION)	J39		J40		J41		J42		J43		J44		J45	
				(UNUSED POSITION)	J40		J41		J42		J43		J44		J45		J46	
				(UNUSED POSITION)	J41		J42		J43		J44		J45		J46		J47	
				(UNUSED POSITION)	J42		J43		J44		J45		J46		J47		J48	
				(UNUSED POSITION)	J43		J44		J45		J46		J47		J48		J49	
				(UNUSED POSITION)	J44		J45		J46		J47		J48		J49		J50	
				(UNUSED POSITION)	J45		J46		J47		J48		J49		J50		J51	
				(UNUSED POSITION)	J46		J47		J48		J49		J50		J51		J52	
				(UNUSED POSITION)	J47		J48		J49		J50		J51		J52		J53	
				(UNUSED POSITION)	J48		J49		J50		J51		J52		J53		J54	
				(UNUSED POSITION)	J49		J50		J51		J52		J53		J54		J55	
				(UNUSED POSITION)	J50		J51		J52		J53		J54		J55		J56	
				(UNUSED POSITION)	J51		J52		J53		J54		J55		J56		J57	
				(UNUSED POSITION)	J52		J53		J54		J55		J56		J57		J58	
				(UNUSED POSITION)	J53		J54		J55		J56		J57		J58		J59	
				(UNUSED POSITION)	J54		J55		J56		J57		J58		J59		J60	
				(UNUSED POSITION)	J55		J56		J57		J58		J59		J60		J61	
				(UNUSED POSITION)	J56		J57		J58		J59		J60		J61		J62	
				(UNUSED POSITION)	J57		J58		J59		J60		J61		J62		J63	
				(UNUSED POSITION)	J58		J59		J60		J61		J62		J63		J64	
				(UNUSED POSITION)	J59		J60		J61		J62		J63		J64		J65	
				(UNUSED POSITION)	J60		J61		J62		J63		J64		J65		J66	
				(UNUSED POSITION)	J61		J62		J63		J64		J65		J66		J67	
				(UNUSED POSITION)	J62		J63		J64		J65		J66		J67		J68	
				(UNUSED POSITION)	J63		J64		J65		J66		J67		J68		J69	
				(UNUSED POSITION)	J64		J65		J66		J67		J68		J69		J70	
				(UNUSED POSITION)	J65		J66		J67		J68		J69		J70		J71	
				(UNUSED POSITION)	J66		J67		J68		J69		J70		J71		J72	
				(UNUSED POSITION)	J67		J68		J69		J70		J71		J72		J73	
				(UNUSED POSITION)	J68		J69		J70		J71		J72		J73		J74	
				(UNUSED POSITION)	J69		J70		J71		J72		J73		J74		J75	
				(UNUSED POSITION)	J70		J71		J72		J73		J74		J75		J76	
				(UNUSED POSITION)	J71		J72		J73		J74		J75		J76		J77	
				(UNUSED POSITION)	J72		J73		J74		J75		J76		J77		J78	
				(UNUSED POSITION)	J73		J74		J75		J76		J77		J78		J79	
				(UNUSED POSITION)	J74		J75		J76		J77		J78		J79		J80	
				(UNUSED POSITION)	J75		J76		J77		J78		J79		J80		J81	
				(UNUSED POSITION)	J76		J77		J78		J79		J80		J81		J82	
				(UNUSED POSITION)	J77		J78		J79		J80		J81		J82		J83	
				(UNUSED POSITION)	J78		J79		J80		J81		J82		J83		J84	
				(UNUSED POSITION)	J79		J80		J81		J82		J83		J84		J85	
				(UNUSED POSITION)	J80		J81		J82		J83		J84		J85		J86	
				(UNUSED POSITION)	J81		J82		J83		J84		J85		J86		J87	
				(UNUSED POSITION)	J82		J83		J84		J85		J86		J87		J88	
				(UNUSED POSITION)	J83		J84		J85		J86		J87		J88		J89	
				(UNUSED POSITION)	J84		J85		J86		J87		J88		J89		J90	
				(UNUSED POSITION)	J85		J86		J87		J88		J89		J90		J91	
				(UNUSED POSITION)	J86		J87		J88		J89		J90		J91		J92	
				(UNUSED POSITION)	J87		J88		J89		J90		J91		J92		J93	
				(UNUSED POSITION)	J88		J89		J90		J91		J92		J93		J94	
				(UNUSED POSITION)	J89		J90		J91		J92		J93		J94		J95	
				(UNUSED POSITION)	J90		J91		J92		J93		J94		J95		J96	
				(UNUSED POSITION)	J91		J92		J93		J94		J95		J96		J97	
				(UNUSED POSITION)	J92		J93		J94		J95		J96		J97		J98	
				(UNUSED POSITION)	J93		J94		J95		J96		J97		J98		J99	
				(UNUSED POSITION)	J94		J95		J96		J97		J98		J99		J100	



8409050215