

Commonwealth Edison Company
Dresden Generating Station
6500 North Dresden Road
Morris, IL 60450
Tel 815-942-2920



July 25, 1997

JSPLTR #97-0140

U. S. Nuclear Regulatory Commission
Document Control Desk
Washington, D. C. 20555


Enclosed is the second supplement to Licensee Event Report 94-021, Docket 50-237, which is being submitted pursuant to 10 CFR 50.73(a)(2)(v)(B) which requires the reporting of any event that alone could have prevented the fulfillment of the safety function of systems that are needed to remove residual heat. This supplement is submitted in accordance with NuReg 1022 Rev 1 draft 2 to correct technical information regarding the root cause of the event.

The original report identified the root cause of the failure of the High Pressure Coolant Injection (HPCI) check valve as an inadequate review of Information Notice 82-26. A subsequent root cause analysis concluded that a change to the HPCI test procedure in 1988 to warm the turbine at low speed produced the flow-induced vibrations which caused the check valve failure. HPCI test procedure revisions in 1993 and 1994 increased the warming speed of the turbine and significantly reduced the periods of vibration for the check valve.

This correspondence contains no additional commitments.

If you have any questions, please contact Terry Riley, Dresden Regulatory Assurance Supervisor at (815) 942-2920 extension, 2714.

Sincerely,


J. Stephen Perry
Site Vice President
Dresden Station

Enclosure

cc: A. Bill Beach, Regional Administrator, Region III
NRC Resident Inspector's Office

DE 22
|||



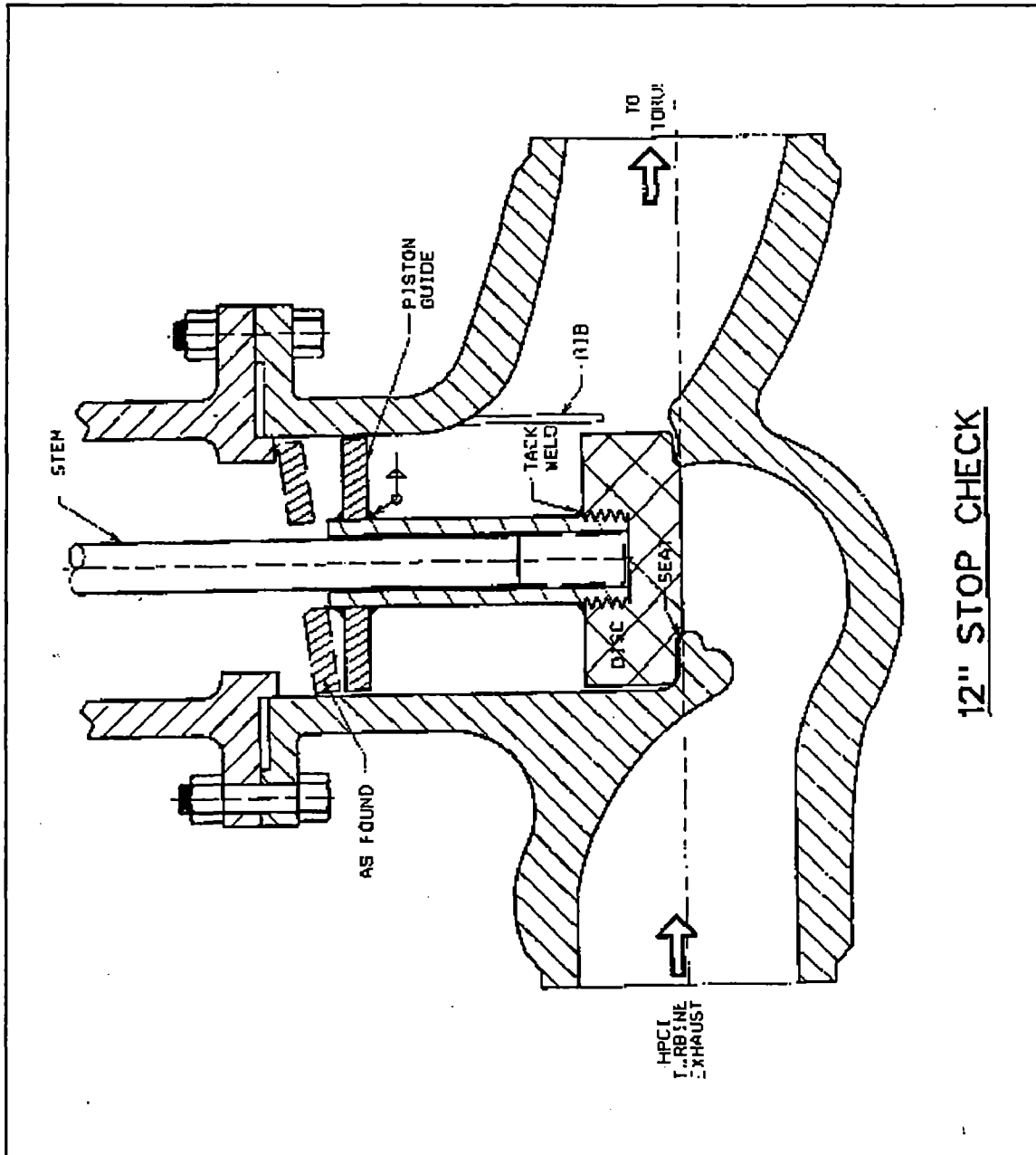
9708040117 970725
PDR ADOCK 05000237
S PDR

LICENSEE EVENT REPORT (LER)
TEXT CONTINUATION

ESTIMATED BURDEN PER RESPONSE TO COMPLY WITH THIS INFORMATION COLLECTION REQUEST: 50.0 HRS. FORWARD COMMENTS REGARDING BURDEN ESTIMATE TO THE INFORMATION AND RECORDS MANAGEMENT BRANCH (MNB 7714), U.S. NUCLEAR REGULATORY COMMISSION, WASHINGTON, DC 20555-0001, AND TO THE PAPERWORK REDUCTION PROJECT (3150-0104), OFFICE OF MANAGEMENT AND BUDGET, WASHINGTON, DC 20503.

FACILITY NAME (1)	DOCKET NUMBER (2)	LER NUMBER (6)			PAGE (3)
Dresden Nuclear Power Station, Unit 2	05000237	YEAR 94	SEQUENTIAL NUMBER -- 021 --	REVISION NUMBER 02	11 OF 11

TEXT (If more space is required, use additional copies of NRC Form 366A) (17)



12" STOP CHECK