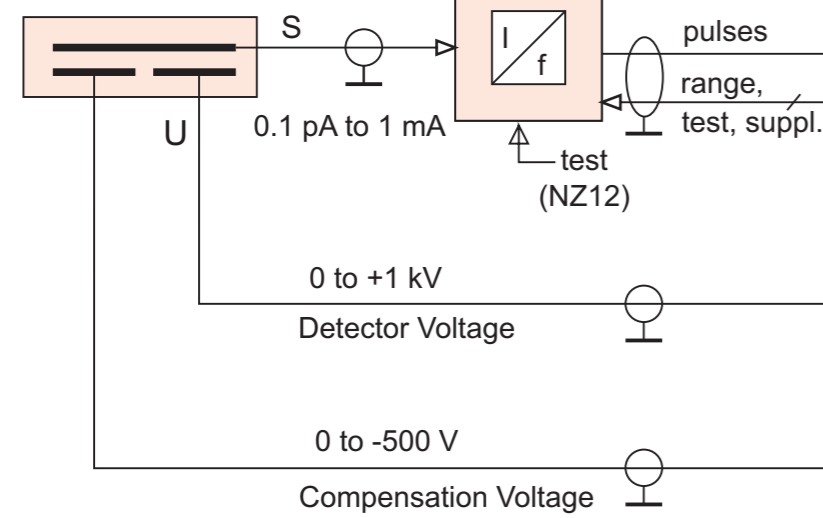
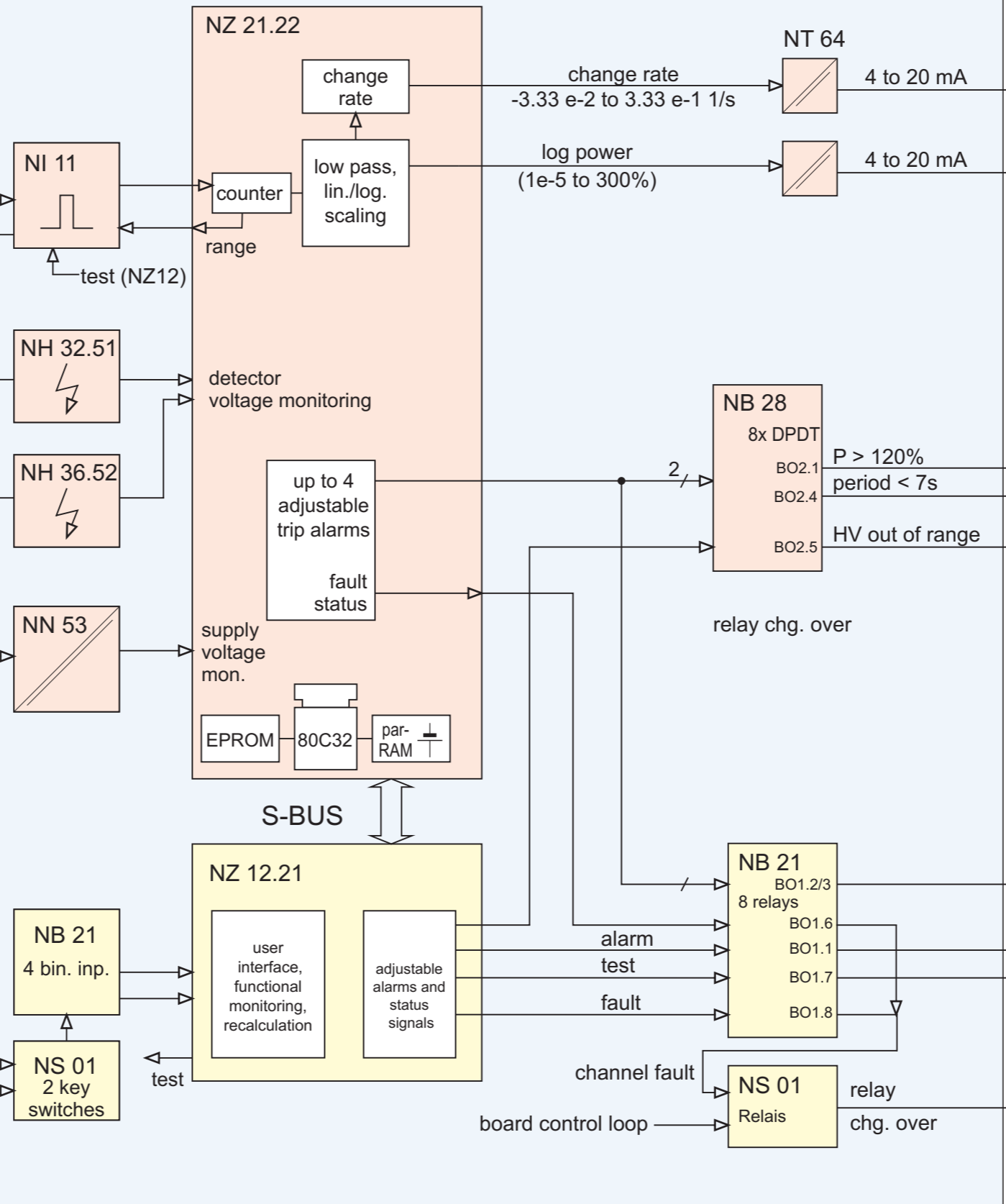


Channel 2 Log N and Period

compensated ion chamber



DAK 250-g



main electronic rack

- change rate → 4 to 20 mA → RTP 3000 -30s to ∞ to 3s
- log power (1e-5 to 300%) → 4 to 20 mA → RTP 3000 1e-5 to 300%
- BO2.1 P > 120% → trip: power level 120%Pn
- BO2.4 period < 7s → trip: period < 7s (1.429 e-1 1/s)
- BO2.5 HV out of range → trip: loss of HV
- BO1.2/3 → 2/ → alarms for RTP 3000: rod interlock < 15s (6.667 e-2 1/s) rod setback < 12s (8.333 e-2 1/s)
- BO1.6 → „not on scale“ < 1e-5%Pn
- BO1.7 → system test (to RTP 3000)
- BO1.8 → system fault (to RTP 3000)
- Relays → relay chg. over → system fault (to RTP 3000)