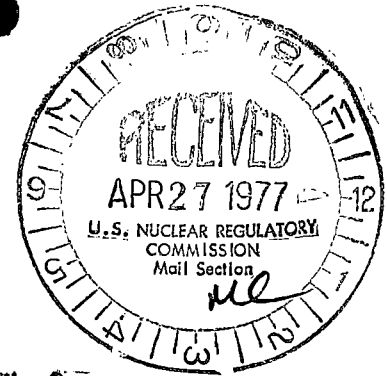




Commonwealth Edison
One First National Plaza, Chicago, Illinois
Address Reply to: Post Office Box 767
Chicago, Illinois 60690

April 19, 1977



Mr. Dennis L. Ziemann, Chief
Operating Reactors - Branch 2
Division of Operating Reactors
U.S. Nuclear Regulatory Commission
Washington, DC 20555

Regulatory

File Cy.

Subject: Dresden Station Units 2 and 3
Quad-Cities Station Units 1 and 2
Mark I Containment - Drywell to Torus
Differential Pressure Instrumentation
NRC Docket Nos. 50-237/249/254/265

References (a): K. R. Goller to R. L. Bolger letter
Dated February 4, 1977.

(b): M. S. Turbak to D. L. Ziemann letter
Dated March 4, 1977.

Dear Mr. Ziemann:

Reference (b) transmitted Commonwealth Edison's commitments relative to Reference (a). Our response stated that a ΔP pump back system modification detailed design and installation schedule for the Dresden Units 2 and 3; Quad-Cities Units 1 and 2, would be available by April 15, 1977.

The modification includes the substitution of a differential pressure transmitter (ΔPT) for the existing drywell and torus pressure transmitters (90X-3) and a digital differential pressure indicator (ΔPI). A schematic of the modified system is provided in Figure 1 (attached). Also provided in the Figure are instrument accuracies for the new equipment. The modified system will provide continuous redundant indication of the drywell-torus ΔP , and will be accurate to within 0.1 psid as recommended by the NRC in Reference (a).

Materials and equipment are expected to be delivered to the sites by August 1, 1977. Except for final system tie-in and mounting of the ΔP indicator, it is estimated that all work can be performed during unit operation. Final system tie-in will take 1 - 2 days, but can only be performed with the unit shut down. Except for this final system tie-in, work is expected to be completed by October 15, 1977, on all four units.

771180041

Mr. Dennis L. Ziemann

- 2 -

April 19, 1977

The schedule for installation of the modifications to the ΔP systems is provided below:

Dresden Unit 2 - Prior to startup following the Fall 1977 refueling outage or in the event difficulties arise in material delivery or installation, during any planned or forced outage subsequent to that refueling during which there is sufficient time to make the control room final indicator tie-in.

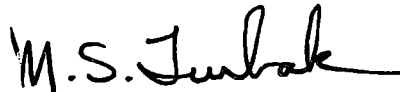
Dresden Unit 3 &
Quad-Cities Unit 2 - Prior to startup following the Winter 1978 refueling outages or during a planned or forced outage subsequent to October 15, 1977, during which there is sufficient time to make the control room final indicator tie-in.

Quad-Cities Unit 1 - During a planned or forced outage subsequent to October 15, 1977, during which there is sufficient time to make the control room final indicator tie-in.

If you have any questions concerning this matter, please contact this office.

One (1) signed original and 59 copies are provided for your use.

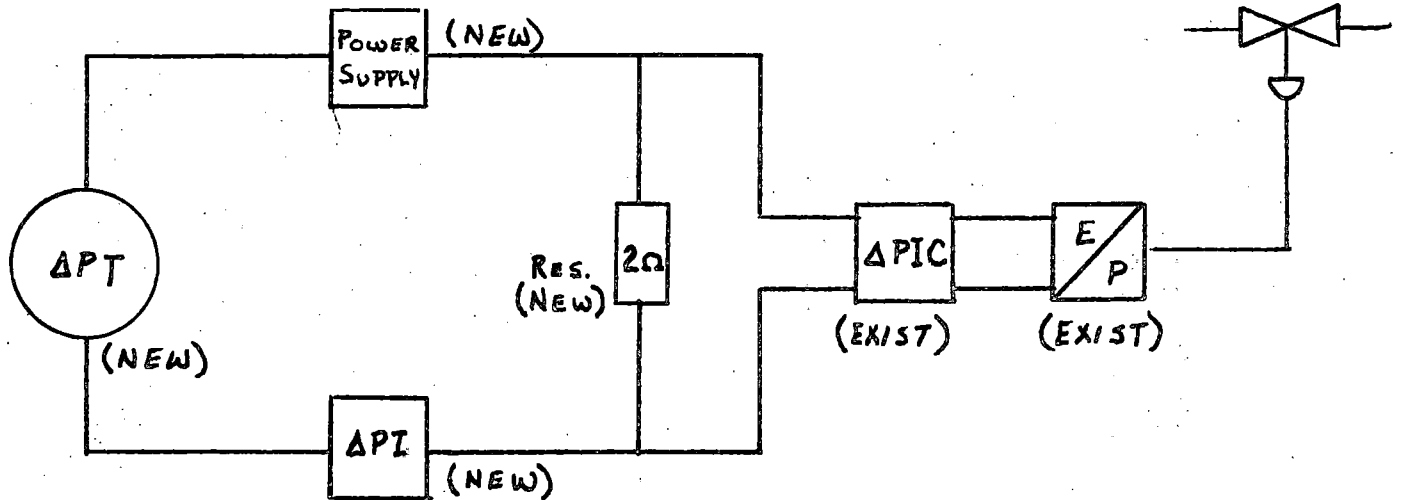
Very truly yours,



M. S. Turbak
Nuclear Licensing Administrator
Boiling Water Reactors

Attachment

Δ P PUMP-BACK SYSTEM MODIFICATION



* ΔPT : 0 to 150" H₂O 0 to 5.42 PSI adjustable to
0 to 3 PSI input 4 to 20 MA output
Accuracy .2% of calibrated range

* ΔPI : Readout 0.00 to 3.00 PSI
Accuracy .1% range

*Power: 24 VDC output - 115 VAC input
Supply

*Resistor: 2Ω /1% tolerance