

BEFORE THE  
UNITED STATES NUCLEAR REGULATORY COMMISSION

---

In the Matter of :  
PENNSYLVANIA POWER & LIGHT COMPANY : Docket No. 50-388

---

PROPOSED AMENDMENT NO. 35  
FACILITY OPERATING LICENSE NO. NPF-22  
SUSQUEHANNA STEAM ELECTRIC STATION  
UNIT NO. 2

---

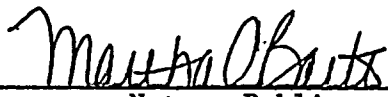
Licensee, Pennsylvania Power & Light Company, hereby files proposed Amendment No. 35 to its Facility Operating License No. NPF-22 dated March 23, 1984.

This amendment contains a revision to the Susquehanna SES Unit 2 Technical Specifications.

PENNSYLVANIA POWER & LIGHT COMPANY  
BY:

  
\_\_\_\_\_  
H. W. Keiser  
Vice President-Nuclear Operations

Sworn to and subscribed before me  
this 4<sup>th</sup> of April, 1986.

  
\_\_\_\_\_  
Notary Public  
MARTHA C. BARIO, NOTARY PUBLIC  
ALLENTOWN, LEHIGH COUNTY  
MY COMMISSION EXPIRES JAN. 15, 1990  
Member, Pennsylvania Association of Notaries

8604090250 860404  
PDR ADOCK 05000388  
P PDR



...  
 ...  
 ...

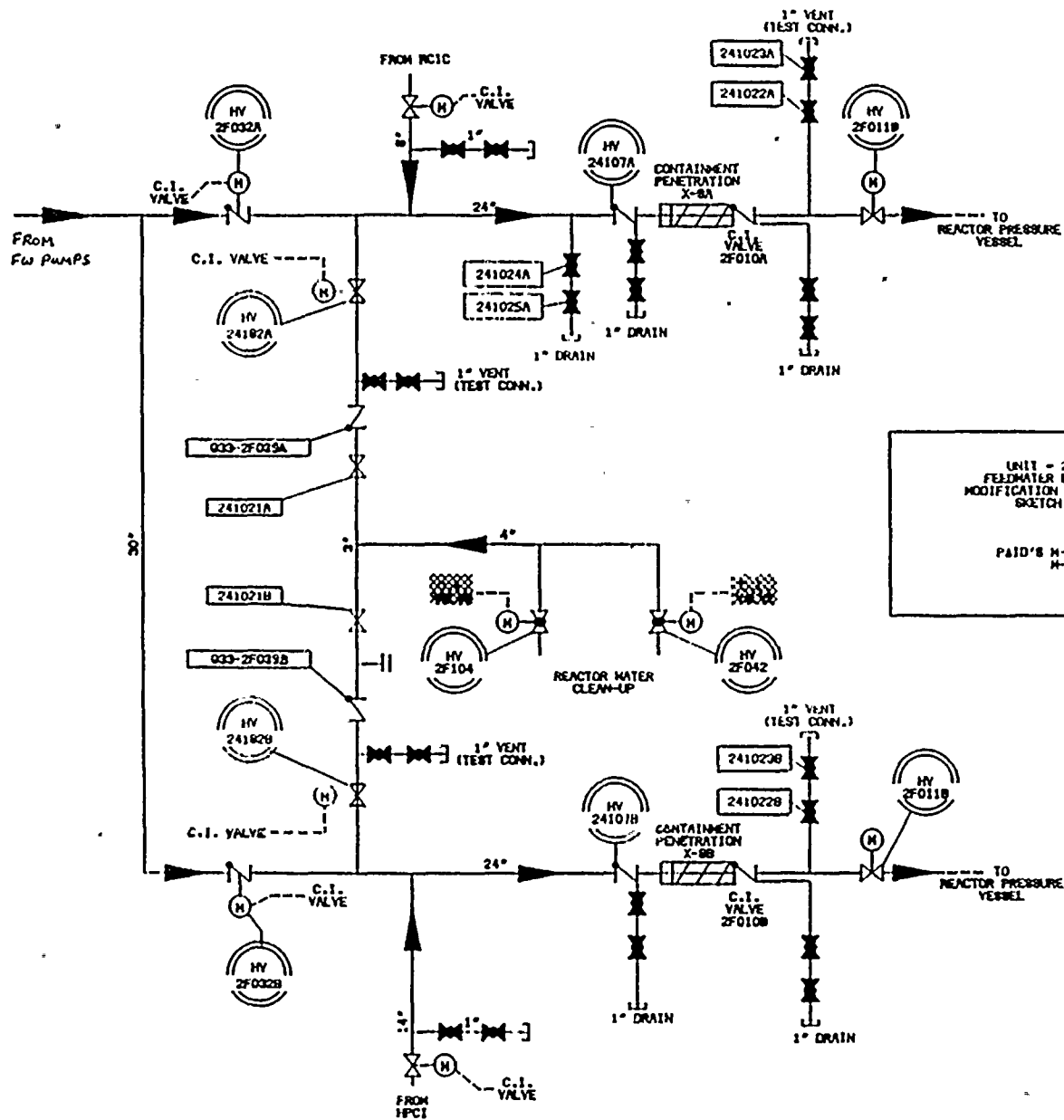
...  
 ...  
 ...

...  
 ...  
 ...

...  
 ...  
 ...

...  
 ...  
 ...

...  
 ...  
 ...



UNIT - 2  
 FEEDWATER LIMIT  
 MODIFICATION DESIGN  
 SKETCH  
  
 PAID'S M-2141  
 M-2144